

## FEATURES AND SPECIFICATIONS

### Features and Benefits

- Sizes 2 to 32 circuits
- Contact and plating orientation according to DIN 41651
- North/south contact orientation avoids overstress
- High pin retention
- Polarized
- Friction lock

### Reference Information

Product Specification: PS-99020-0001  
 Packaging: Tray  
 Mates With: 90123 and 90156  
 Designed In: Inches

### Electrical

Voltage: 350V  
 Current: 3.0A  
 Contact Resistance: 20mΩ max.  
 Insulation Resistance: 1000 MΩ min.

### Mechanical

Contact Resistance: 20N (2.0kgf) min.  
 Mating Force: 1N max. Gold and 3N max. Tin  
 Unmating Force: 0.2N min. Gold and 0.2N min. Tin  
 Normal Force: 1N

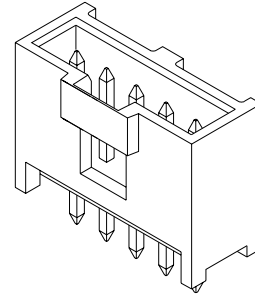
### Physical

Housing: Black glass-filled polyester, UL 94V-0  
 Contact: Copper Alloy, 0.64mm (.025") square pins  
 Plating: See Table  
 Operating Temperature: -55 to +125°C

# molex® 2.54mm (.100") Pitch C-Grid III™ Shrouded Header

## 90136

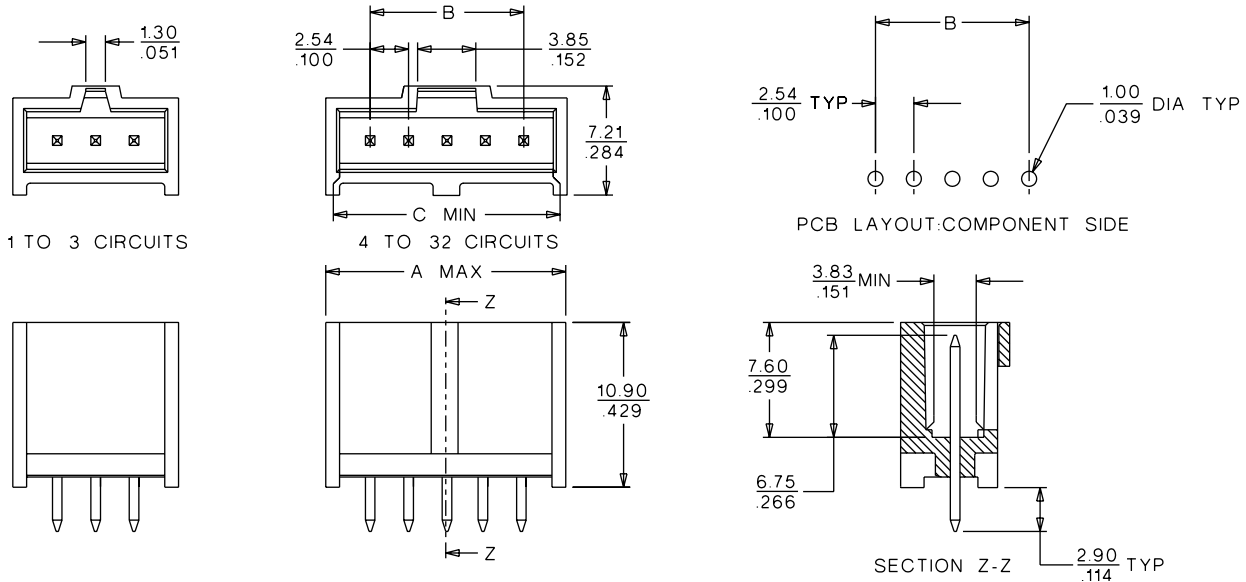
## Single Row Vertical



2.54mm (.100") Pitch

## CATALOG DRAWING (FOR REFERENCE ONLY)

**Not For Use With Molex SL™ Components**



## ORDERING INFORMATION AND DIMENSIONS

Circuits	Order No.			Dimension		
	Plating A	Plating E	Plating F	A	B	C
2	90136-1102	90136-1202	90136-1302	8.81 (.347)	2.54 (.100)	6.40 (.252)
3	90136-1103	90136-1203	90136-1303	11.35 (.447)	5.08 (.200)	8.94 (.352)
4	90136-1104	90136-1204	90136-1304	13.89 (.547)	7.62 (.300)	11.48 (.452)
5	90136-1105	90136-1205	90136-1305	16.43 (.647)	10.16 (.400)	14.02 (.552)
6	90136-1106	90136-1206	90136-1306	18.97 (.747)	12.70 (.500)	16.56 (.652)
7	90136-1107	90136-1207	90136-1307	21.51 (.847)	15.24 (.600)	19.10 (.752)
8	90136-1108	90136-1208	90136-1308	24.05 (.947)	17.78 (.700)	21.64 (.852)
9	90136-1109	90136-1209	90136-1309	26.59 (1.047)	20.32 (.800)	24.18 (.952)
10	90136-1110	90136-1210	90136-1310	29.13 (1.147)	22.86 (.900)	26.72 (1.052)
12	90136-1112	90136-1212	90136-1312	34.21 (1.347)	27.94 (1.100)	31.80 (1.252)
15	90136-1115	90136-1215	90136-1315	41.83 (1.647)	35.56 (1.400)	39.42 (1.552)
18	90136-1118	90136-1218	90136-1318	49.45 (1.947)	43.18 (1.700)	47.04 (1.852)
22	90136-1122	90136-1222	90136-1322	59.61 (2.347)	53.34 (2.100)	57.20 (2.252)
25	90136-1125	90136-1225	90136-1325	67.23 (2.647)	60.96 (2.400)	64.82 (2.552)
30	90136-1130	90136-1230	90136-1330	79.93 (3.147)	73.66 (2.900)	77.52 (3.052)
32	90136-1132	90136-1232	90136-1332	85.01 (3.347)	78.74 (3.100)	82.60 (3.252)

For other available circuit sizes contact Molex

Plating A: 4μm (160μ") Tin/Lead over Nickel

Plating E: 0.38μm (15μ") selective Gold over Nickel and 4μm (160μ") Tin/Lead over Nickel

Plating F: 0.76μm (30μ") selective Gold over Nickel and 4μm (160μ") Tin/Lead over Nickel