

3M™ Tripolarized Wiremount Socket

.050" × .100" for .025" Pitch Cable

820 Series



- Tripolarization to mating socket
- 50 mil × 100 mil halves the connector length
- Hill-n-dale design provides a high performance IDC termination
- Insert-molded copper alloy contacts for superior strength and reliability
- Metal cover latch and cable strain relief for long term reliability
- Contacts: 20, 26, 36, 40, 50, 60, 68, 80 and 100
- RoHS* compliant version available (RB plating suffix)

Date Modified: September 2, 2005

TS-0254-26
Sheet 1 of 2

Physical

Insulation

Material: Glass Filled Polyester (PBT)

Flammability: UL 94V-0

Color: Gray

Contact Material: Copper Alloy

Plating:

Underplating: 100 μ" [2.54 μm] Nickel

U-Slot: Matte Tin (RoHS compliant) or tin-lead (see ordering information)

Wiping Area: 30 μ" [0.76 μm] Gold

Wire Accommodation: 30 AWG Solid, 30 AWG Pleated Foil, and 30 AWG Stranded

Marking: 3M Logo and Orientation Triangle

Electrical

Current Rating: 0.5 A

Insulation Resistance: $> 1 \times 10^9 \Omega$ at 500 VDC

Withstanding Voltage: 500 Vrms at Sea Level

Environmental

Temperature Rating: -55°C to +105°C

* RoHS = Directive 2002/95/EC, Restriction of the Use of Certain Hazardous Substances in Electrical and Electronic Equipment
"RoHS compliant" means that the product or part does not contain any of the following substances in excess of the following maximum concentration values in any homogeneous material, unless the substance is in an application that is exempt under RoHS: (a) 0.1% (by weight) for lead, mercury, hexavalent chromium, polybrominated biphenyls or polybrominated diphenyl ethers; or (b) 0.01% (by weight) for cadmium. Unless otherwise stated by 3M in writing, this information represents 3M's knowledge and belief based upon information provided by third party suppliers to 3M.

UL File No.: E68080

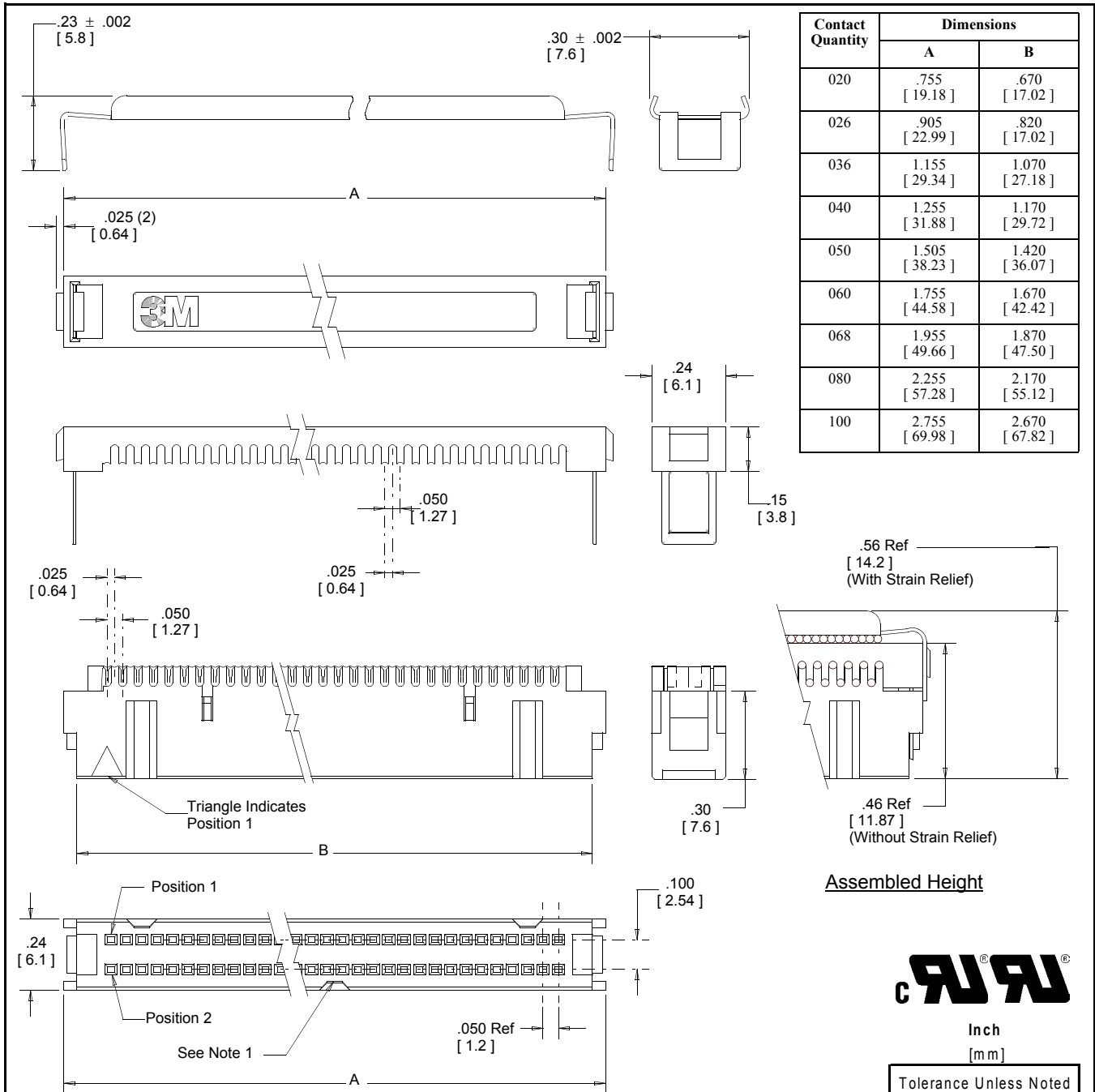
3M
Interconnect Solutions
<http://www.3M.com/interconnects/>

3M is a trademark of 3M Company.
For technical, sales or ordering information call
800-225-5373

3M™ Tripolarized Wiremount Socket

.050" × .100" for .025" Pitch Cable

820 Series



Assembled Height



Inch [mm]

Tolerance Unless Noted			
	.0	.00	.000
inch	±.1	±.01	±.005

[] Dimensions for Reference Only

- Notes:
1. This polarization slot does not exist on the 20 position socket.
 2. Recommended to be mated to the .050" × .100" 81XXX series headers.

Ordering Information

Socket
82XXX-600X-XX

Contact Quantity: See Table

Strain Relief:
0 = No Strain Relief
6 = With Strain Relief

Plating options:
blank = tin-lead solder tails
RB = matte tin solder tails (RoHS compliant)

Strain Relief
(If Ordered Separately)
3858-XXX

Contact Quantity: See Table

Application tools: 3640 press (or equivalent), 3443-113 locator plate, 3442-45 platen.

TS-0254-26
Sheet 2 of 2

Important Notice

All statements, technical information, and recommendations related to 3M's products are based on information believed to be reliable, but the accuracy or completeness is not guaranteed. Before using this product, you must evaluate it and determine if it is suitable for your intended application. You assume all risks and liability associated with such use. Any statements related to the product which are not contained in 3M's current publications, or any contrary statements contained on your purchase order shall have no force or effect unless expressly agreed upon, in writing, by an authorized officer of 3M.

3M

Electronics

6801 River Place Blvd.
Austin, TX 78726-9000
800/328-1368
www.3M.com/electronics

Warranty; Limited Remedy; Limited Liability.

This product will be free from defects in material and manufacture for a period of 90 days from the time of purchase. **3M MAKES NO OTHER WARRANTIES INCLUDING, BUT NOT LIMITED TO, ANY IMPLIED WARRANTY OF MERCHANTABILITY OR FITNESS FOR A PARTICULAR PURPOSE.** If this product is defective within the warranty period stated above, your exclusive remedy shall be, at 3M's option, to replace or repair the 3M product or refund the purchase price of the 3M product. **Except where prohibited by law, 3M will not be liable for any indirect, special, incidental or consequential loss or damage arising from this 3M product, regardless of the legal theory asserted.**



*Minimum 10%
Post-Consumer Fiber*

Printed in USA.

© 3M 2005