

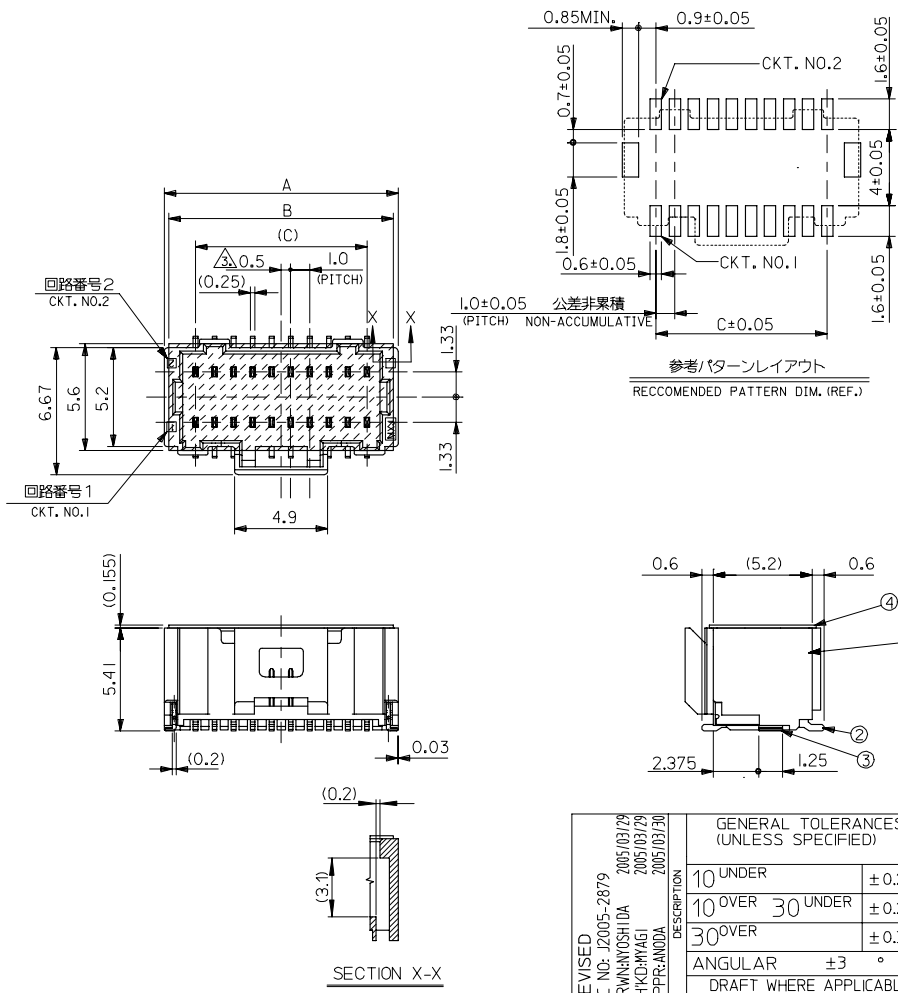
番号 NO.	部品 PART	材質 MATERIAL
①	ウエハー WAFER	6Tナイロン UL94V-0 色:自然色 6T NYLON ,UL94V-0 ,COLOR:NATURAL
②	ソルダーピン SOLDER PIN	りん青銅 PHOSPHOR BRONZE 金メッキ:0.1μmMIN. GOLD ニッケルメッキ(下地):1.0μmMIN. NICKEL(UNDER PLATING)
③	ネイル NAIL	りん青銅 PHOSPHOR BRONZE 錫メッキ:1.0μmMIN. TIN ニッケルメッキ(下地):1.0μmMIN. NICKEL(UNDER PLATING)
④	カバーテープ COVER TAPE	ポリイミドテープ POLYIMIDE TAPE

NOTES.

- 嵌合相手: 501189-\*\*\*\*  
MATE WITH: 501189-\*\*\*\*
  - ソルダーピン及びネイル平坦度は、0.1MAX.  
SOLDER PIN AND NAIL COPLANARITY TO BE 0.1MAX.
- △ 種数/2=偶数に適用  
APPLY FOR CKT SIZE/2=EVEN

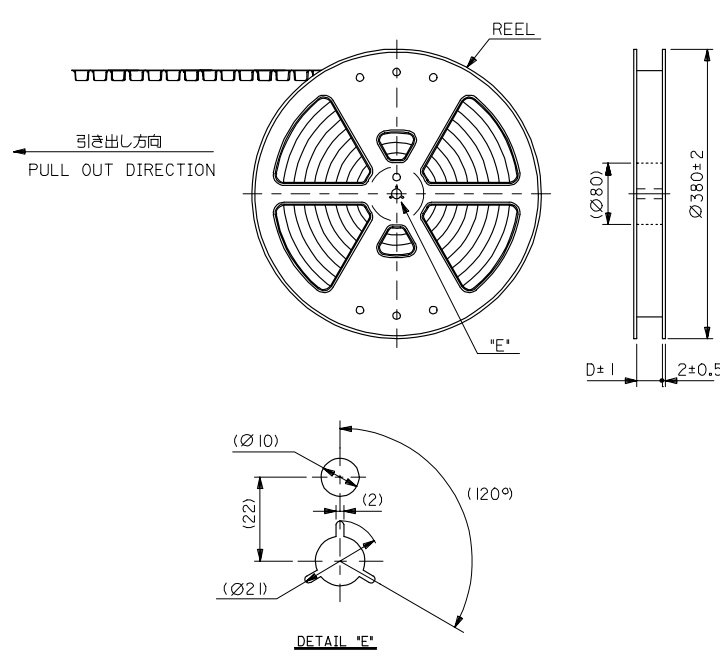
無 NO	24	19	14	9	24	19	14	9	26.8	21.8	16.8	11.8	27.3	22.3	17.3	12.3	501190-XXXX		
																	MATERIAL NO.	CKT	
																		501190-5029	50
																		501190-4029	40
																		501190-3029	30
																		501190-2029	20
有 YES																		501190-5019	50
																		501190-4019	40
																		501190-3019	30
																		501190-2019	20
カバーテープの有無 COVER TAPE	C	B	A															MATERIAL NO.	CKT

REVISED REV. B	IEC NO. J2005-2879	2005/03/29	DRWN:NYOSHIDA	2005/03/29	CHKD:MYAGI	2005/03/29	APPR:ANODA	2005/03/30	
	GENERAL TOLERANCES (UNLESS SPECIFIED)				DIMENSION STYLE MM ONLY				
	10 UNDER	±0.2	DRAWN BY NYOSHIDA		DATE 2004/12/17		TITLE 1.0 WIRE TO BOARD CONN. WAFER ASSY (2-ROW S/T) -LEAD FREE-		
	10 OVER 30 UNDER	±0.25	CHECKED BY MYAGI		DATE 2004/12/17		MOLEX INCORPORATED		
30 OVER	±0.3	APPROVED BY ANODA		DATE 2004/12/17		MATERIAL NO. SD-501190-003			
ANGULAR ±3°				DRAFT WHERE APPLICABLE MUST REMAIN WITHIN DIMENSIONS				SHEET NO. 1 OF 1	
SEE CHART				THIS DRAWING CONTAINS INFORMATION THAT IS PROPRIETARY TO MOLEX INCORPORATED AND SHOULD NOT BE USED WITHOUT WRITTEN PERMISSION					



10 9 8 7 6 5 4 3 2 1

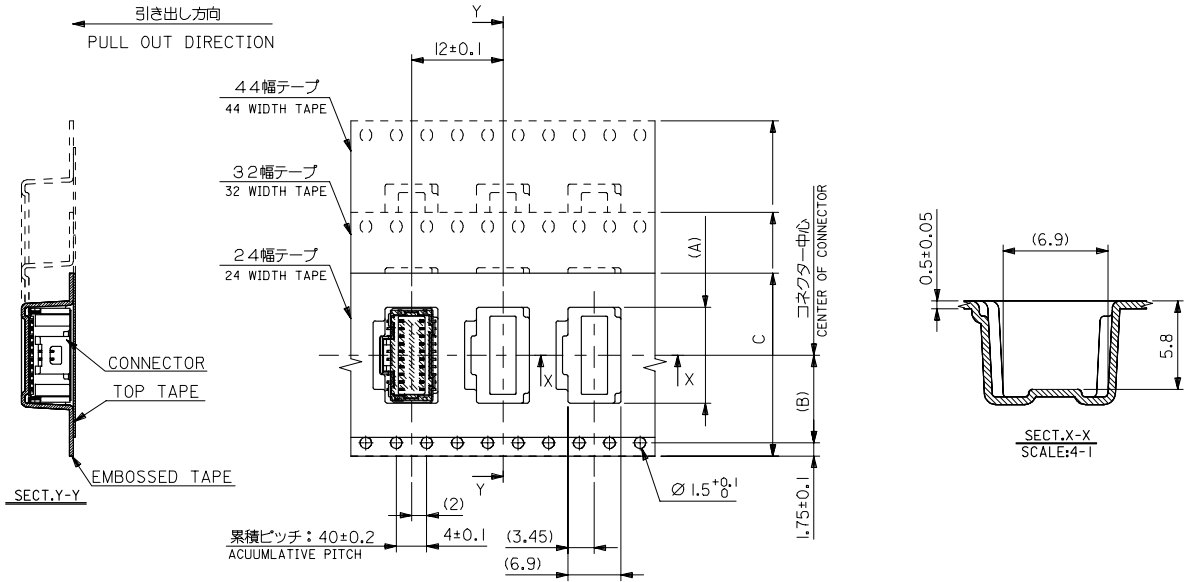
F  
E  
D  
C  
B  
A



**NOTES**

- 製品詳細寸法については SD-501190-003 を参照ください。  
RE DETAILED DIMENSION, SEE SD-501190-003
- 梱包数量：1100個/リール  
NUMBER OF CONNECTORS：1100PIECES/REEL
- リードテープ長さ  
LEAD TAPE LENGTH
- トップテープの剥離強度：0.1～1.3N (10.2～132.5gf) (剥離方向は下図参照)  
PEELING OFF FORCE OF TOP TAPE (PEELING DIRECTION AS SHOWN IN FOLLOWING FIGURE)  
尚、本規格値は、出荷時に適用。(但し、輸送時に剥離が発生しないこと)  
THIS REQUIREMENT SHOULD BE APPLIED AT SHIPMENT. PEEL OFF SHOULD NOT BE ALLOWED, DURING TRANSPORTATION.
- 材料  
MATERIAL  
キャリアテープ：ポリプロピレン  
CARRIER TAPE: POLYPROPYLENE  
トップテープ：PET, PE, REF  
リール：ポリスチレン (リサイクル材を含む)  
REEL: POLYSTYRENE (RECYCLE MATERIAL CONTAINED)

REVISED IEC NO. J2005-2879 DRAWN BY NYOSHIDA 2005/03/29 CHKD BY MYAGI 2005/03/29 APPR. ANODA 2005/03/30	GENERAL TOLERANCES (UNLESS SPECIFIED)		DIMENSION STYLE MM ONLY		SCALE ---	DESIGN UNITS METRIC	THIRD ANGLE PROJECTION
	10 UNDER	±0.2	DRAWN BY NYOSHIDA	DATE 2004/12/17	TITLE 1.0 WIRE TO BOARD CONN. WAFER ASS'Y (2-ROW S/T) EMBTP PKG -LEAD FREE- MOLEX INCORPORATED		
	10 OVER 30 UNDER	±0.25	CHECKED BY MYAGI	DATE 2004/12/17			
	30 OVER	±0.3	APPROVED BY ANODA	DATE 2004/12/17			
ANGULAR	±3 °	MATERIAL NO. SEE SHEET 2		DOCUMENT NO. SD-501190-004	SHEET NO. 1 OF 2		
DRAFT WHERE APPLICABLE MUST REMAIN WITHIN DIMENSIONS		THIS DRAWING CONTAINS INFORMATION THAT IS PROPRIETARY TO MOLEX INCORPORATED AND SHOULD NOT BE USED WITHOUT WRITTEN PERMISSION					



無 NO	45.5	44±0.3	20.2	27.6	501190-5029	501190-5027	50
	33.5	32±0.3	14.2	17.6	501190-4029	501190-4027	40
	25.5	24±0.3	11.5	12.6	501190-3029	501190-3027	30
有 YES	45.5	44±0.3	20.2	27.6	501190-5019	501190-5017	50
	33.5	32±0.3	14.2	17.6	501190-4019	501190-4017	40
	25.5	24±0.3	11.5	12.6	501190-3019	501190-3017	30
積層用カバーテープの有無 COVER TAPE	D	C	CARRIER TAPE WIDTH	(B)	(A)	CONNECTOR	MATERIAL NO., CKTS.

REVISED REV. A	REV. NO. J2005-2879	2005/03/29	DRW: NYOSHIDA	2004/12/17	TITLE 1.0 WIRE TO BOARD CONN. WAFER ASS'Y (2-ROW S/T) EMBTP PKG -LEAD FREE- MOLEX INCORPORATED	
	CHKD: NYAGI	2005/03/29	CHECKED BY	DATE		
	APPR: ANODA	2005/03/30	APPROVED BY	DATE		
	DESCRIPTION	GENERAL TOLERANCES (UNLESS SPECIFIED)	DIMENSION STYLE (MM ONLY)	SCALE (---)		DESIGN UNITS (METRIC)
	10 UNDER	±0.2	DRAWN BY NYOSHIDA	DATE 2004/12/17	DOCUMENT NO. SD-501190-004	
	10 OVER 30 UNDER	±0.25	CHECKED BY MYAGI	DATE 2004/12/17		SHEET NO. 2 OF 2
	30 OVER	±0.3	APPROVED BY ANODA	DATE 2004/12/17	THIS DRAWING CONTAINS INFORMATION THAT IS PROPRIETARY TO MOLEX INCORPORATED AND SHOULD NOT BE USED WITHOUT WRITTEN PERMISSION	
	ANGULAR	±3 °	MATERIAL NO.	SEE CHART		
	DRAFT WHERE APPLICABLE MUST REMAIN WITHIN DIMENSIONS		SIZE A3			