

FEATURES AND SPECIFICATIONS

Features and Benefits

- Sizes 2 to 6 circuits
- Wire-to-board
- Surface Mount Compatible
- Optional board lock features offered in 1.57, 2.36, and 3.18mm (.062, .093 and .125") lengths
- Positive lock
- Fully polarized

Reference Information

Product Specification: PS-44441-9999
 Packaging: Bag and tray
 UL File No.: E29179
 CSA File No.: LR19980
 TUV License No.: Applied for
 Mates With: 44441 housing
 Designed In: Inches

Electrical

Voltage: 1000V
 Current: 18.0A max.*
 Contact Resistance: 10mΩ max.
 Dielectric Withstanding Voltage: 5000V
 Insulation Resistance: 1000 MΩ min.

Mechanical

Insertion Force to PCB: 5 lb max.
 Normal Force: 3 lb nominal
 Durability: 25 cycles

Physical

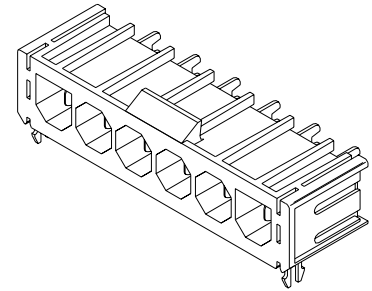
Housing: Black glass-filled nylon, UL 94V-0
 Contact: Brass
 Plating: Tin
 Operating Temperature: -40 to +75°C
 PCB Thickness: 1.57, 2.36, 3.18mm (.062, .093 and .125")

* Depending on circuit size, wire gauge and PCB. Please refer to product specification.

molex® 7.50mm (.295") Pitch Sabre™ Wire-to-Board Header

43160

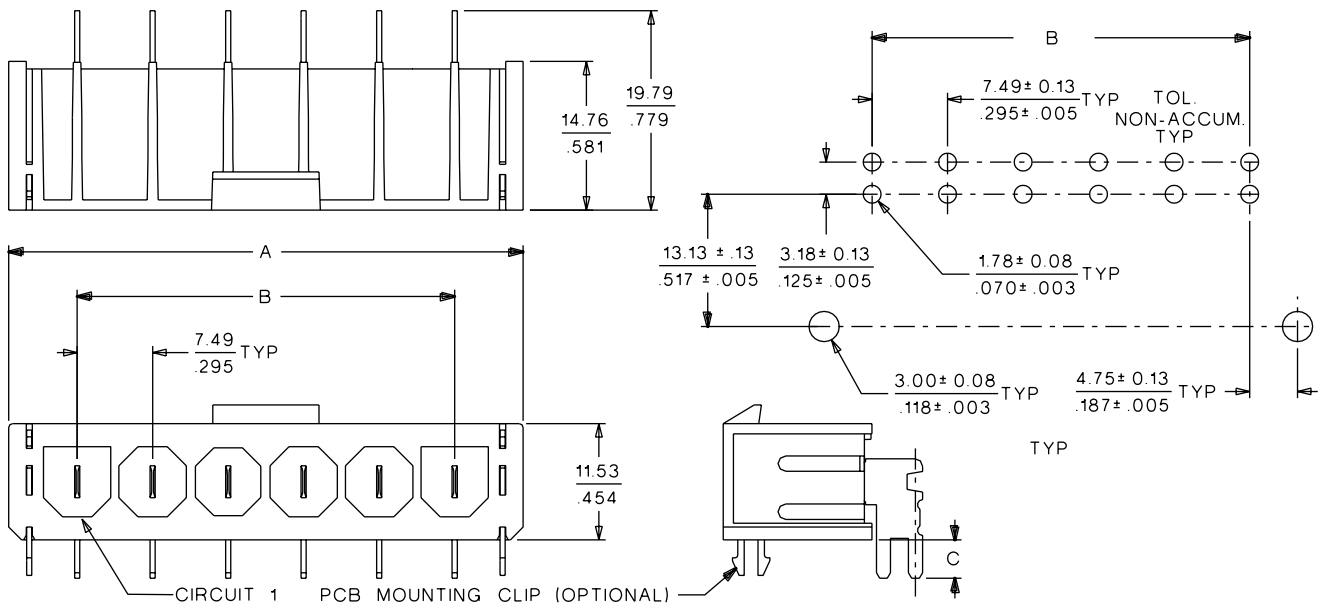
Right Angle, Single Row, SMC With and without Board Lock



Power Connectors

F

CATALOG DRAWING (FOR REFERENCE ONLY)



ORDERING INFORMATION AND DIMENSIONS

		Without Board Lock		
Circuits	Order No.	Dimension		
		A	B	C
2	43160-1102	21.08 (.830)	7.49 (.295)	3.81 (.150)
2	43160-1302	21.08 (.830)	7.49 (.295)	5.33 (.210)
3	43160-1103	28.58 (1.125)	14.99 (.590)	3.81 (.150)
3	43160-1303	28.58 (1.125)	14.99 (.590)	5.33 (.210)
4	43160-1104	36.07 (1.420)	22.48 (.885)	3.81 (.150)
4	43160-1304	36.07 (1.420)	22.48 (.885)	5.33 (.210)
5	43160-1105	43.56 (1.715)	29.97 (1.180)	3.81 (.150)
5	43160-1305	43.56 (1.715)	29.97 (1.180)	5.33 (.210)
6	43160-1106	51.05 (2.010)	37.47 (1.475)	3.81 (.150)
6	43160-1306	51.05 (2.010)	37.47 (1.475)	5.33 (.210)

		With Board Lock			
Circuits	Order No.	PCB Thickness	Dimension		
			A	B	C
2	43160-3102	.062	21.08 (.830)	7.49 (.295)	3.81 (.150)
2	43160-5302	.093	21.08 (.830)	7.49 (.295)	5.33 (.210)
2	43160-7302	.125	21.08 (.830)	7.49 (.295)	5.33 (.210)
3	43160-3103	.062	28.58 (1.125)	14.99 (.590)	3.81 (.150)
3	43160-5303	.093	28.58 (1.125)	14.99 (.590)	5.33 (.210)
3	43160-7303	.125	28.58 (1.125)	14.99 (.590)	5.33 (.210)
4	43160-3104	.062	36.07 (1.420)	22.48 (.885)	3.81 (.150)
4	43160-5304	.093	36.07 (1.420)	22.48 (.885)	5.33 (.210)
4	43160-7304	.125	36.07 (1.420)	22.48 (.885)	5.33 (.210)
5	43160-3105	.062	43.56 (1.715)	29.97 (1.180)	3.81 (.150)
5	43160-5305	.093	43.56 (1.715)	29.97 (1.180)	5.33 (.210)
5	43160-7305	.125	43.56 (1.715)	29.97 (1.180)	5.33 (.210)
6	43160-3106	.062	51.05 (2.010)	37.47 (1.475)	3.81 (.150)
6	43160-5306	.093	51.05 (2.010)	37.47 (1.475)	5.33 (.210)
6	43160-7306	.125	51.05 (2.010)	37.47 (1.475)	5.33 (.210)