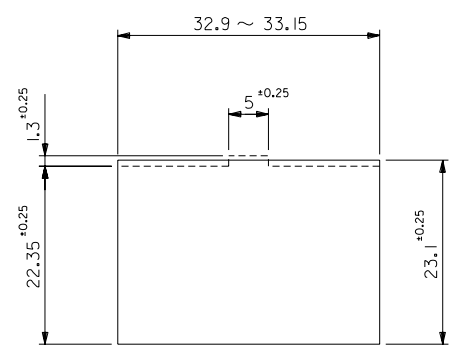
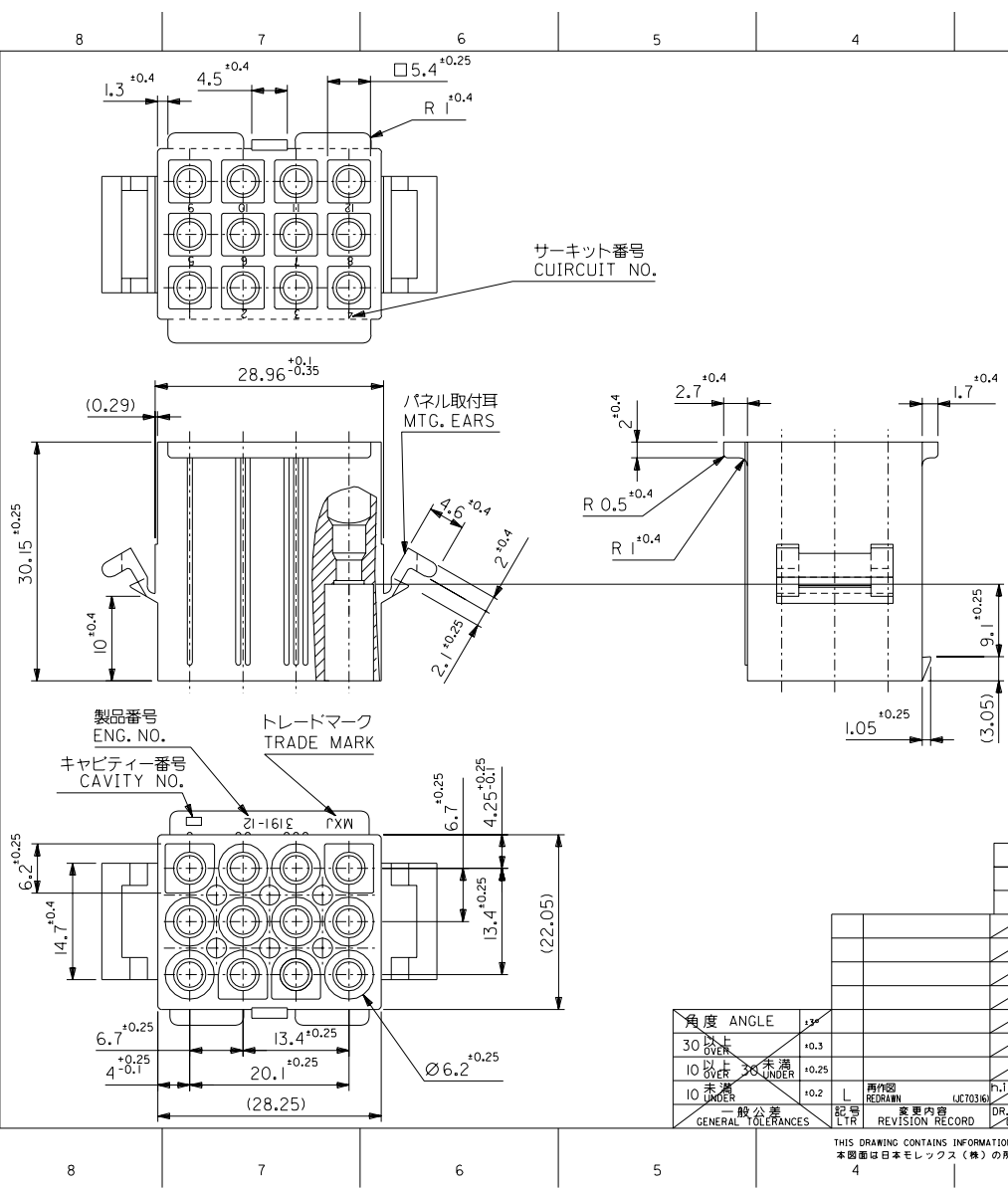


DWG. NO. SD-3191-12P-
 DIMENSIONS IN METRIC DO NOT SCALE DRAWING



パネル取付穴推奨寸法 (厚さ2.0最大)
 ハウジングの装着はパネル穴打抜き方向より行うこと
 RECOMMENDED PANEL HOLE DIMENSION (THK. 2.0 MAX.)
 ATTACH THE HOUSING FROM THE DIRECTION OF
 PANEL HOLE PUNCHED OUT

注記
 NOTE
 () 内寸法は参考値
 DIMENSIONS IN () ARE REFERENCE

| | | | |
|----------------------------|--------------|---|-------|
| 39-03-6121 | 3191-12P-201 | NYLON66 | 94V-0 |
| 39-03-6120 | 3191-12P | NYLON66 | 94V-2 |
| EDP. NO. | ENG. NO. | MATERIAL | UL |
| 材料 MATERIAL | | 表参照 SEE CHART | |
| 仕上げ FINISH | | — | |
| 適用電線範囲 WIRE RANGE | | — | |
| 被覆外径 INS. RANGE | | — | |
| 再作図 REDRAWN | | DRAWN BY '96/06/24 H.IIJJIMA M.F. '96/06/24 CHK'D BY '96/06/24 M.FUKUSHIMA | |
| 記号 L.T.R | | 重要内容 REVISION RECORD | |
| 角度 ANGLE | | 30°以上 OVER | |
| 30°以上 OVER | | +0.3 | |
| 10°以上 未満 | | +0.25 | |
| 10°未満 | | +0.2 | |
| 一般公差 GENERAL TOLERANCES | | — | |
| MATERIAL | | MOLEX-JAPAN CO.,LTD. 日本モレックス株式会社 | |
| FINISH | | REVISE ONLY ON CAD SYSTEM | |
| WIRE RANGE | | TITLE 名称 | |
| INS. RANGE | | 12 CKT. PLUG HS'G. (.093 DIA. TERMINAL) | |
| DRAWN BY | | DWG. NO. | |
| CHK'D BY | | SD-3191-12P-* | |
| APP'D BY | | REV | |
| DATE | | L | |
| SCALE | | 2 : 1 | |

THIS DRAWING CONTAINS INFORMATION THAT IS PROPRIETARY TO MOLEX (JAPAN) AND SHOULD NOT BE USED WITHOUT WRITTEN PERMISSION
 本図面は日本モレックス(株)の所有する情報を含むもので、当社の許可なく複製を禁止する。 EN-01C1032)MXJ-32