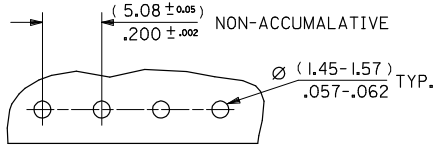
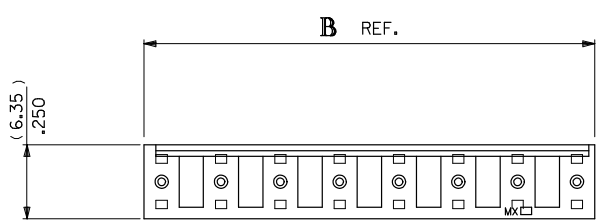
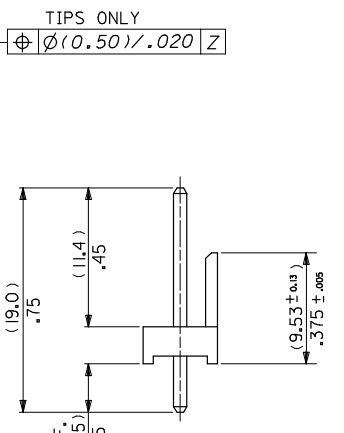
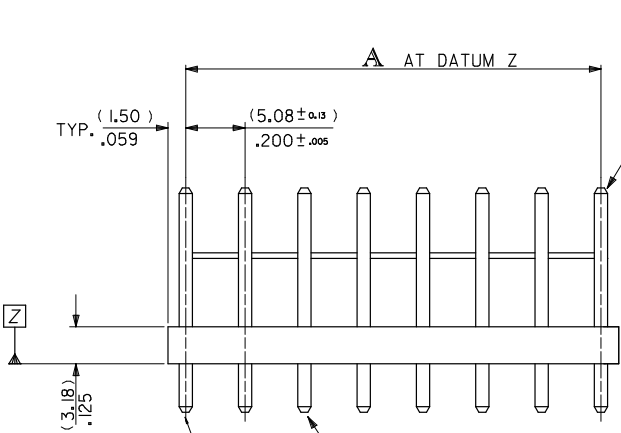


10 9 8 7 6 5 4 3 2 1



RECOMMENDED PCB HOLE DIMENSIONS

No OF CCTS.	DIMn. A	DIMn. B
2	(5.08 ± 0.13) .200 ± .005	(8.08) .318
3	(10.16 ± 0.13) .400 ± .005	(13.16) .518
4	(15.24 ± 0.13) .600 ± .005	(18.24) .718
5	(20.32 ± 0.13) .800 ± .005	(23.32) .918
6	(25.40 ± 0.15) 1.000 ± .006	(28.40) 1.118
7	(30.48 ± 0.18) 1.200 ± .007	(33.48) 1.318
8	(35.56 ± 0.18) 1.400 ± .007	(38.56) 1.518
9	(40.64 ± 0.20) 1.600 ± .008	(43.64) 1.718
10	(45.72 ± 0.20) 1.800 ± .008	(48.72) 1.918
11	(50.80 ± 0.20) 2.000 ± .008	(53.80) 2.118
12	(55.88 ± 0.23) 2.200 ± .009	(58.88) 2.318
13	(60.96 ± 0.23) 2.400 ± .009	(63.96) 2.518
14	(66.04 ± 0.25) 2.600 ± .010	(69.04) 2.718
15	(71.12 ± 0.25) 2.800 ± .010	(74.12) 2.918
16	(76.20 ± 0.25) 3.000 ± .010	(79.20) 3.118
17	(81.28 ± 0.28) 3.200 ± .011	(84.28) 3.318
18	(86.36 ± 0.28) 3.400 ± .011	(89.36) 3.518
19	(91.44 ± 0.30) 3.600 ± .012	(94.44) 3.718
20	(96.52 ± 0.30) 3.800 ± .012	(99.52) 3.918



TIPS ONLY
Ø (0.50) / .020 Z

TIPS ONLY
Ø (0.38) / .015 Z

AE-2599M-N**
NO. OF CKTS. VOID CKT. LOCn.
VERSION SEE SHEET 2

- NOTES*
1. WAFER MATERIAL NYLON 6/6, 94V-2. TERMINAL PIN, (1.14) / .045 DIA. - BRASS FOR PLATING SEE CHARTS.
 2. PIN PUSH OUT FORCE (1.36 Kg) / 3 LBS. MIN.
 3. PINS MUST CONFORM TO MOLEX SOLDERABILITY SPEC. ES-152.
 4. RECOMMENDED PCB THICKNESS 1.6MM

ADDED NOTE EC NO: E2008-0337 DRWN: K. ERMAN CHKD: 2008/02/15 APPR: BMAGUIRE 2008/02/15	QUALITY SYMBOLS ▽=O ▽=O
---	-------------------------------

GENERAL TOLERANCES (UNLESS SPECIFIED)	
4 PLACES ± --- ± ---	mm INCH
3 PLACES ± --- ± .010	
2 PLACES ± 0.25 ± .014	
1 PLACE ± 0.35 ± ---	
ANGULAR ± --- °	
DRAFT WHERE APPLICABLE MUST REMAIN WITHIN DIMENSIONS	

DIMENSION STYLE MM/IN	
DRAWN BY MC	DATE 23/02/1988
CHECKED BY DMORIARTY	DATE
APPROVED BY JDENNEHY	DATE
MATERIAL NO. SEE CHART	DOCUMENT NO. SDAE-2599M-N*

SCALE 3:1	DESIGN UNITS METRIC	THIRD ANGLE PROJECTION
TITLE WAFER KK (5.08)/.200 CENTRES WITH POLARIZING WALL		
MOLEX INCORPORATED		
DOCUMENT NO. SDAE-2599M-N*		SHEET NO. 1 OF 2
THIS DRAWING CONTAINS INFORMATION THAT IS PROPRIETARY TO MOLEX INCORPORATED AND SHOULD NOT BE USED WITHOUT WRITTEN PERMISSION		

9 8 7 6 5 4 3 2 1

PART NO. SEE CHART
 ENG. NO. SDAE-2599M-N *

10 9 8 7 6 5 4 3 2 1

No. OF CCTS.
2
3
4
5
6
7
8
9
10
11
12
13
14
15
16
17
18
19
20
PLATING

AE-2599M-NA	
PART No.	ENG. No.
10-08-5021	AE-2599M- 2 A
↑ 5031	↑ 3 A
5041	4 A
5051	5 A
5061	6 A
5071	7 A
5081	8 A
5091	9 A
5101	10 A
5111	11 A
5121	12 A
5131	13 A
5141	14 A
5151	15 A
5161	16 A
5171	17 A
5181	18 A
↓ 5191	↓ 19 A
10-08-5201	AE-2599M- 20 A
(0.0051)/.0002 MIN TIN OVER (0.0025)/.0001 MIN COPPER	

AE-2599M-NAG	
PART No.	ENG. No.
10-45-5021	AE-2599M- 2 AG
↑ 5031	↑ 3 AG
5041	4 AG
5051	5 AG
5061	6 AG
5071	7 AG
5081	8 AG
5091	9 AG
5101	10 AG
5111	11 AG
5121	12 AG
5131	13 AG
5141	14 AG
5151	15 AG
5161	16 AG
5171	17 AG
5181	18 AG
↓ 5191	↓ 19 AG
10-45-5201	AE-2599M- 20 AG
(0.0005)/.00002 MIN GOLD OVER (0.0005)/.00005 MIN NICKEL	

AE-2599M-NA - *			
PART No.	ENG. No.	PART No.	ENG. No.
38-00-0888	AE-2599M- 3 A-1	38-00-7480	AE-2599M- 8 A-5
38-00-7089	↑ 3 A-2	38-00-7486	↑ 8 A-1,5
38-00-7586	3 A-3	38-00-7097	8 A-3,5
38-00-7091	4 A-1,3	38-00-7606	8 A-3,6
38-00-7090	4 A-2	38-00-7598	8 A-5,7
38-00-7092	4 A-3	38-00-7485	8 A-5,8
38-00-4903	4 A-2,3	38-00-8278	08 A-2
38-00-7483	5 A-2	38-00-7660	8 A-3
38-00-7610	5 A-2,4	38-00-7707	8 A-6
38-00-7093	5 A-3	38-00-8277	8 A-7
38-00-7594	5 A-4	38-00-7609	9 A-2
38-00-7487	5 A-5	38-00-7084	9 A-3
38-00-7584	6 A-2	38-00-7585	9 A-4
38-00-7094	6 A-3	38-00-7607	9 A-4,7
38-00-7095	6 A-4	38-00-7098	9 A-5
38-00-7096	6 A-5	38-00-7599	9 A-6
38-00-7100	6 A-4,5	38-00-7670	9 A-7
38-00-7479	6 A-6	38-00-7484	10 A-3
38-00-1208	7 A-2	38-00-4902	10 A-4
38-00-7608	7 A-2,5	38-00-4905	10 A-6
38-00-7481	7 A-3	38-00-7099	11 A-5
38-00-0887	7 A-4	38-00-4900	12 A-2
38-00-7595	7 A-5	38-00-7482	12 A-4
38-00-7596	7 A-6	38-00-4899	12 A-6
38-00-7664	↓ 8 A-3	38-00-4904	12 A-8
38-00-7597	AE-2599M- 8 A-4	38-00-4901	12 A-9
		38-00-7600	12 A-3,10
		38-00-7601	12 A-6,10
		38-00-7709	13 A-4
		38-00-7085	↓ 14 A-4
		38-00-7087	AE-2599M- 17 A-4
(0.0051)/.0002 MIN TIN OVER (0.0025)/.0001 MIN COPPER			

FOR PREVIOUS
 DRAWING ISSUES
 SEE MRI.

PART 38-00-8278 &
 ENG AE-2599M-A2 ADDED
 EC NO. E2004-0350
 DRWN: PSHEAHAN 03/10/16
 CHK: / / / / /
 APPR: / / / / /
 REV: / / / / /
 Z A

QUALITY SYMBOLS MAJOR CRITICAL C	GENERAL TOLERANCES: (UNLESS SPECIFIED) mm INCH 4 PLACES ±0. ±. 3 PLACES ±0. ±. 2 PLACES ±0. ±. 1 PLACE ±0. ±. ANGULAR: ± °	SCALE DESIGN UNITS <input checked="" type="checkbox"/> mm <input type="checkbox"/> INCH DRAWN BY & DATE MC 23/02/88 CHECKED BY & DATE APPROVED BY & DATE CAD FILENAME S42599MX2.DGN	THIRD ANGLE PROJECTION DIMENSIONS: <input checked="" type="checkbox"/> mm <input type="checkbox"/> INCH <input type="checkbox"/> mm <input type="checkbox"/> ONLY TITLE: WAFFER, KK (5.08)/.200 CENTRES WITH POLARISING WALL MOLEX INCORPORATED	SHT REV REVISE ON CAD ONLY
DRAFT WHERE APPLICABLE MUST REMAIN WITHIN DIMENSIONS	THIS DRAWING CONTAINS INFORMATION THAT IS PROPRIETARY TO MOLEX INCORPORATED AND SHOULD NOT BE USED WITHOUT WRITTEN PERMISSION.		MATERIAL NO. SEE CHART	DRAWING NO. SDAE-2599M-N *
				SHEET NO. 20F SIZE B

7132-1283 10 9 8 7 6 5 4 3 2 1