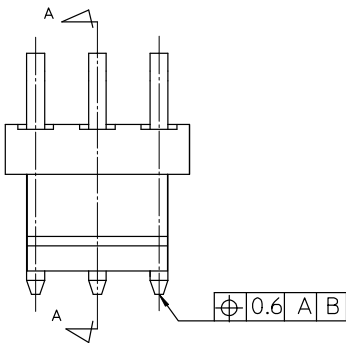
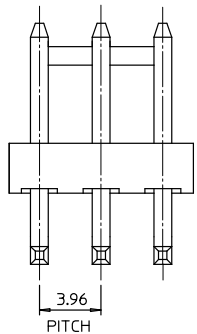
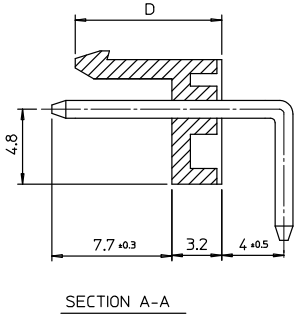
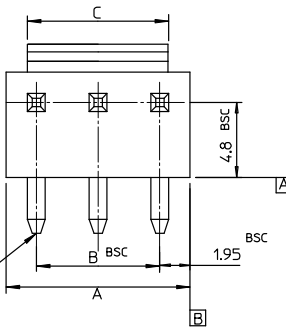
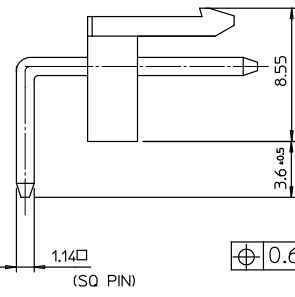


10 9 8 7 6 5 4 3 2 1

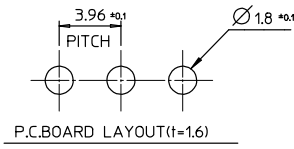


NOTES  
 1. MATERIAL : HEADER - PA66, PBT/PC  
 PIN : BRASS(CDA 2700)  
 2. FINISHES : PIN  
 THICKNESS - TIN 3.0 MICROMETER MIN.  
 OVER Cu 1.5 MICROMETER MIN.  
 3. PRODUCT SPECIFICATION : PS-35978-002

LEGEND  
 35978-\*\*\*\*  
 COLOR : 0 - WHITE  
 1 - BLACK  
 2 - RED  
 3 - YELLOW  
 4 - BLUE  
 MATERIAL : 2 : PA66 4 : PBT/PC  
 CIRCUIT NO. (02.03.04...)



56.50	55.44	59.40	3597815**	35978-15**	15
52.54	51.48	55.44	3597814**	-14**	14
48.58	47.52	51.48	3597813**	-13**	13
44.62	43.56	47.52	3597812**	-12**	12
40.66	39.60	43.56	3597811**	-11**	11
36.70	35.64	39.60	3597810**	-10**	10
32.74	31.68	35.64	3597809**	-09**	9
28.78	27.72	31.68	3597808**	-08**	8
24.84	23.76	27.72	3597807**	-07**	7
20.86	19.80	23.76	3597806**	-06**	6
16.90	15.84	19.80	3597805**	-05**	5
12.94	11.88	15.84	3597804**	-04**	4
8.98	7.92	11.88	3597803**	-03**	3
9.7	5.02	3.96	3597802**	-02**	2
D	C	B	A	MAT'L NO	ENG NO. CIRCUITS



REVISED EC NO: KOR2008-0143 DRAWN: JHPARK01 2008/02/26 CHKD: WY. YANG 2008/02/26 APPR: YUNS.IKI.M 2008/02/27	QUALITY SYMBOLS ▽=0 ▽=0	GENERAL TOLERANCES (UNLESS SPECIFIED)		DIMENSION STYLE MM ONLY		SCALE 4:1	DESIGN UNITS METRIC	THIRD ANGLE PROJECTION	
		4 PLACES ± --- ± ---	mm INCH	DRAWN BY Y. R. WI	DATE 1999/05/07	TITLE 3.96 W/B HEADER ASSY(RA)			
		3 PLACES ± --- ± ---		CHECKED BY J. K. OH	DATE 1999/05/07	MOLEX INCORPORATED			
		2 PLACES ± --- ± ---		APPROVED BY C. W. LEE	DATE 1999/05/07				
1 PLACE ± 0.2 ± ---		ANGULAR ± 2°		MATERIAL NO. SEE TABLE	DOCUMENT NO. SD-35978-002	SHEET NO. 1 OF 01			
DRAFT WHERE APPLICABLE MUST REMAIN WITHIN DIMENSIONS		THIS DRAWING CONTAINS INFORMATION THAT IS PROPRIETARY TO MOLEX INCORPORATED AND SHOULD NOT BE USED WITHOUT WRITTEN PERMISSION							

1b\_frame\_A3\_P\_ME\_T  
 Rev. E 2006/04/15

9 8 7 6 5 4 3 2 1