

SHT. 1 OF 1		MRI-SDA-7720S * *			
MODIFICATION RECORD INDEX					
ERO	ECO	ISS. DATE	IN/IT. SHTS. AFFECTED	DESCRIPTION OF MOD.	
	102	E 15.3.83	AC	REVISED AND REDRAWN	
	700	F 14.8.83	GH	-MINH VERSION & SHT.10 ADDED	
	330	G 1.8.84	MC	INTRODUCED (P9H) PLATING	
	493	H 1.5.85	MC		
	614	J 3.1.86	MC		
	834	K 18.12.86	GH	1 REDRAWN ON CAD	
I262		L 28.1.87	MC	1 & 3 A-7720S-C6J56 D RELEASED	
	889	M 29.4.87	NC	1, 2 & 3 18-28 CTS. NON-STANDARD	
ECR/ECN	ISS.	DATE	IN/IT.	SHTS. AFFECTED	DESCRIPTION OF MOD.
E1018	N	91.6.14	PMMN	1	CORRECTIONS TO DIM C
E50345	P	95.03.10	PG	1 & 4	ADDED SHEET 4
E60296	R	96.01.15	MOR	1 & 4	ADDED PART NO.
E2001463	S	00.11.01	MF	1, 2, 3, 4	CHANGED LAB OFFICE IN WM
MOLEX EUROPE		REVISE ONLY ON CAD SYSTEM		CHECK FILENAME	
				SAT720SX1	.DGN
				1986	S

LEVEL CHART

1	17	33	49
2	18	34	50
3	19	35	51 LEVEL INDEX
4	20	36	52 RESERVED
5	21	37	53 RESERVED
6	22	38	54 RESERVED
7	23	39	55 DIMENSIONS
8	24	40	56 TABLES/CHARTS
9	25	41	57 REVISION TEXT & MRI
10	26	42	58 NOTES/TEXT
11 HOUSING DETAILS	27	43	59
12 RIB HATCHING	28	44	60 RESERVED
13	29	45	61
14	30	46	62
15	31	47	63
16	32	48	

PART NO.	ENG. NO.	CCTS.	TERMINAL	I.D. STRIPE	PLTG.
22-50-3025	A-77205-C-2H	2	40125-H(P902)	GREEN	
3035	C-3H	3			
3045	C-4H	4			
3055	C-5H	5			
3065	C-6H	6			
3075	C-7H	7			
3085	C-8H	8			
3095	C-9H	9			
3105	C-10H	10			
3115	C-11H	11			
3125	C-12H	12			
3135	C-13H	13			
3145	C-14H	14			
3155	C-15H	15			
3165	C-16H	16			
3175	C-17H	17			
3185	C-18H	18			
3195	C-19H	19			
3205	C-20H	20			
3215	C-21H	21			
3225	C-22H	22			
3235	C-23H	23			
3245	C-24H	24			
3255	C-25H	25			
3265	C-26H	26			
22-50-3285	A-77205-C-28H	28	40125-H(P902)	GREEN	

NOTE:
1. 18 - 28 CIRCUITS ARE NON-STANDARD.

NOT TYPED
(11-2-5UM)/.000040-.000100

PRE-RELEASE
REFERENCE
USE ONLY

FOR PREVIOUS DRAWING ISSUES SEE REVISIONS

THIRD ANGLE PROJECTION

REVISE ONLY ON CAD SYSTEM

INSULATION DISPLACEMENT CONNECTOR (2.54)/.100 CENTRES

MOLEX EUROPE

DATE: 2 / 1 / 86

SEE CHART SDA-77205-N#

LEVEL CHART

1	16	31	46	6
2	17	32	47	62
3	18	33	48	63
4	19	34	49	
5	20	35	50	
6	21	36	51	LEVEL INDEX
7	22	37	52	RESERVED
8	23	38	53	RESERVED
9	24	39	54	RESERVED
10	25	40	55	DIMENSIONS
11	26	41	56	TABLES/CHARTS
12	27	42	57	REVISION TEXT
13	28	43	58	NOTES/TEXT
14	29	44	59	BILL-OF-MAT'L.
15	30	45	60	RESERVED

[English](#)
[Español](#)
[Français](#)
[Italiano](#)
[Deutsch](#)
[Português](#)
[По Русски](#)
[中文显示](#)
[日本語](#)
[한국어](#)

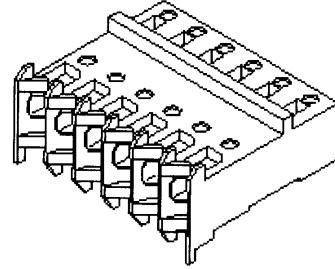
Datasheet
IDT and Solder Connectors

[Home > Products > IDT and Solder Connectors > Datasheet]

22-50-3035

WO/B WR OR 3CCT GRN 7720SC03H

View all parts in series 7720s	2D Dimensions	<input type="checkbox"/> E-mail this page	Samples	Buy
--------------------------------	---------------	---	---------	-----



Status	Active
Pitch / Center Spacing	2.54mm (.100")
Circuits / Positions	3
Termination Method	Insulation Displacement (IDT)
Wire Size [AWG]	24 Stranded, 26 Solid and Fused, and 28 Fused
Wire Entry Angle	Right Angle
Gender	Female
Packaging	Bag
Panel Mount	No
Product Name	KK®

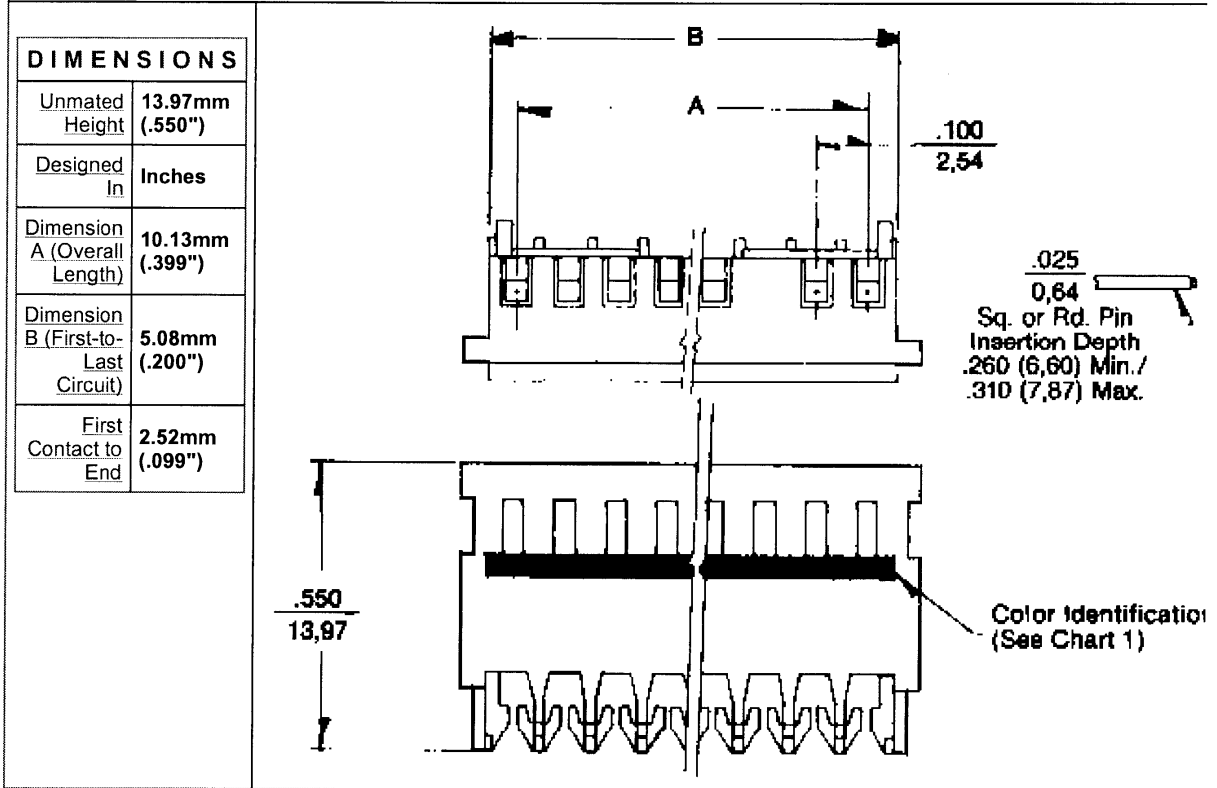
This part is ELV and RoHS COMPLIANT	
ENVIRONMENT	
RoHS Compliant	Yes
Lead-free Process Capability	Wave Capable (TH only)

PHYSICAL	
Housing Material	PA Polyamide (Nylon)
Color of Identification Stripe	Green
Flammability	UL 94V-2
Contact	Brass (CuZn)

ELECTRICAL	
Current-max [amps]	2.5A
Voltage-max [volts]	250V
Withstanding Voltage	1500V AC
Contact Resistance [ohms]	20 milliohms max.
Insulation Resistance [ohms]	200,000 Megohms min.

REFERENCE	
Product Specification	PSX-7690S
UL File Number	E29179
CSA File Number	LR19980
Comment	Version H
Rows	1
Old Part Number	A-7720S-C03H
MX01 Catalog Page	C-118
990 Catalog Page	J-45
Molex Series	7720
Marketing Series	7720s

2D DRAWING - For reference only. See technical Drawing (PDF) for design-in purposes.



© Copyright 2005 Molex Incorporated
0.53 secs