

## FEATURES AND SPECIFICATIONS

### Features and Benefits

- Sizes 2 to 28 circuits
- Friction lock provides passive lock to connector with ramp
- Good in high vibration applications
- Higher backwall than the 6373 Series
- Various pin lengths available

### Reference Information

Product Specification: PS-10-07

Packaging: Bag

UL File No.: E29179

CSA File No.: LR19980

Mates With: 2695 with locking ramp, 6471 and 7880

Designed In: Inches

### Electrical

Voltage: 250V

Current: 4.0A

Contact Resistance: 20mΩ max.

Dielectric Withstanding Voltage: 1500V

Insulation Resistance: 50K MΩ min.

### Physical

Housing: Natural nylon, UL 94V-0

Contact: Brass, 0.64mm (.025") square

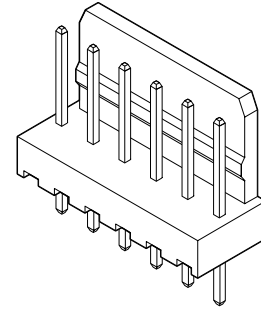
Plating: See Table

Temperature: 0 to +75°C

# molex® 2.54mm (.100") Pitch KK® Header

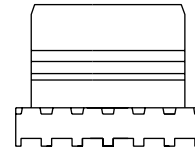
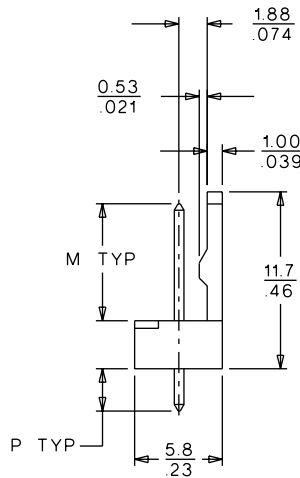
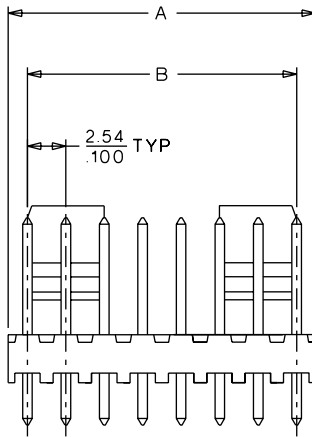
## 6410

## Vertical Friction Lock

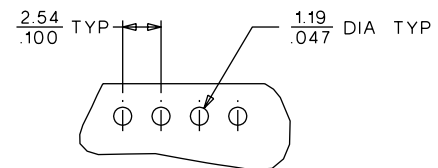


PCB and Wire Connectors

J



SINGLE RAMP ON 2-6 CIRCUITS  
TWO RAMPS ON 7-28 CCTS, AS SHOWN.



RECOMMENDED PCB LAYOUT

## ORDERING INFORMATION AND DIMENSIONS

Circuits	Order No.		Dimension	
	Tin	Gold	A	B
2	• 22-27-2021	• 22-29-2021	5.08 (.200)	2.54 (.100)
3	• 22-27-2031	• 22-29-2031	7.62 (.300)	5.08 (.200)
4	• 22-27-2041	• 22-29-2041	10.16 (.400)	7.62 (.300)
5	• 22-27-2051	• 22-29-2051	12.70 (.500)	10.16 (.400)
6	• 22-27-2061	• 22-29-2061	15.24 (.600)	12.70 (.500)
7	• 22-27-2071	• 22-29-2071	17.78 (.700)	15.24 (.600)
8	• 22-27-2081	• 22-29-2081	20.32 (.800)	17.78 (.700)
9	• 22-27-2091	• 22-29-2091	22.86 (.900)	20.32 (.800)
10	• 22-27-2101	• 22-29-2101	25.40 (1.000)	22.86 (.900)
11	• 22-27-2111	• 22-29-2111	27.94 (1.100)	25.40 (1.000)
12	• 22-27-2121	• 22-29-2121	30.48 (1.200)	27.94 (1.100)
13	• 22-27-2131	• 22-29-2131	33.02 (1.300)	30.48 (1.200)
14	• 22-27-2141	• 22-29-2141	35.56 (1.400)	33.02 (1.300)
15	• 22-27-2151	• 22-29-2151	38.10 (1.500)	35.56 (1.400)

Circuits	Order No.		Dimension	
	Tin	Gold	A	B
16	• 22-27-2161	• 22-29-2161	40.64 (1.600)	38.10 (1.500)
17	• 22-27-2171	• 22-29-2171	43.18 (1.700)	40.64 (1.600)
18	• 22-27-2181	• 22-29-2181	45.72 (1.800)	43.18 (1.700)
19	• 22-27-2191	• 22-29-2191	48.26 (1.900)	45.72 (1.800)
20	• 22-27-2201	• 22-29-2201	50.80 (2.000)	48.26 (1.900)
21	• 22-27-2211	• 22-29-2211	53.34 (2.100)	50.80 (2.000)
22	• 22-27-2221	• 22-29-2221	55.88 (2.200)	53.34 (2.100)
23	• 22-27-2231	• 22-29-2231	58.42 (2.300)	55.88 (2.200)
24	• 22-27-2241	• 22-29-2241	60.96 (2.400)	58.42 (2.300)
25	• 22-27-2251	• 22-29-2251	63.50 (2.500)	60.96 (2.400)
26	• 22-27-2261	• 22-29-2261	66.04 (2.600)	63.50 (2.500)
27	• 22-27-2271	• 22-29-2271	68.58 (2.700)	66.04 (2.600)
28	• 22-27-2281	• 22-29-2281	71.12 (2.800)	68.58 (2.700)

• US Standard Product, available through Molex franchised distributors