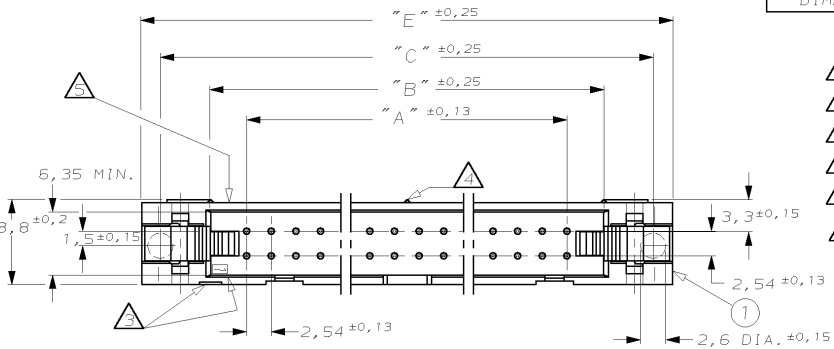


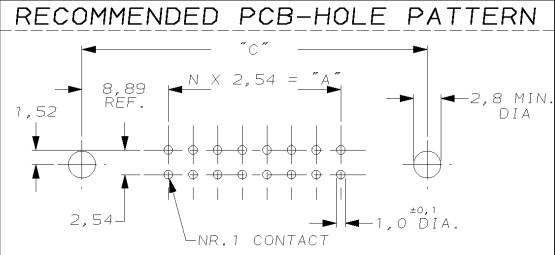
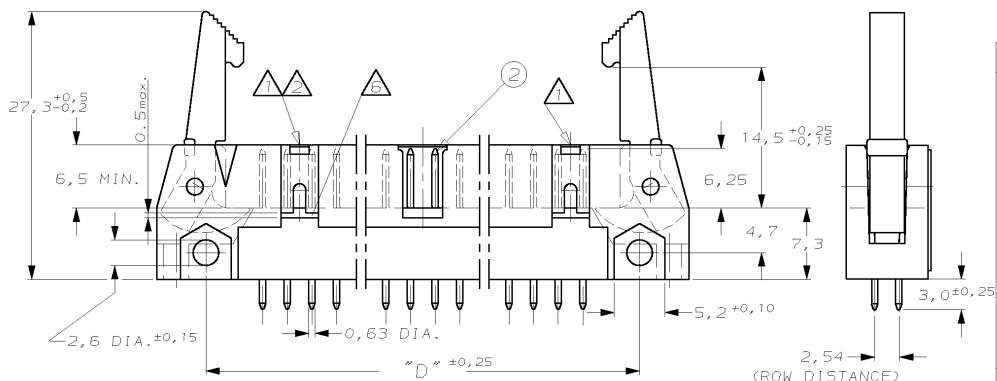
DO NOT SCALE
DIMENSIONS IN mm

METRIC



NOTES

- ▲ SNAP-IN POLARIZERS PN. 927636-2 OR 927637-2 CAN BE APPLIED.
- ▲ THERE IS NO WINDOW FOR SNAP-IN POLARIZERS AT THIS END IN 10 AND 14 POS. HEADERS.
- ▲ INDICATION OF FIRST POSITION.
- ▲ THERE IS NO CENTER STAND-OFF IN 10-26 POS. HEADERS.
- ▲ PARTNUMBER AND PROD.-DATE ON SUITABLE SURFACE X-828 588-X DD.MM.YY
- ▲ HOLE OVER THE ENTIRE WIDTH OF CODING HOLDER PERMITTED



② PIN-CONTACT	BRASS	PLATING SIDE: 0,8µm AU OVER 0,8µm AMP DURAGOLD®/ OVER 1,27µm Ni SOLDER SIDE: MIN. 3,0µm Sn OVER 1,27µm Ni
① HOUSING	GLASSFILLED POLYESTER	GREY

100,6	90,4	96,5	86,4	78,7	64	6-828590-4
95,5	85,3	91,4	81,3	73,7	60	6-828590-0
82,8	72,6	78,7	68,6	61,0	50	5-828590-0
70,1	59,9	66,0	55,9	48,3	40	4-828590-0
62,5	52,3	58,4	48,3	40,6	34	3-828590-4
52,3	42,2	48,3	38,1	30,5	26	2-828590-6
44,7	34,5	40,6	30,5	22,9	20	2-828590-0
39,6	29,5	35,6	25,4	17,8	16	1-828590-6
37,1	26,9	33,0	22,9	15,2	14	1-828590-4
32,0	21,8	27,9	17,8	10,2	10	1-828590-0

DIM. "E"	DIM. "D"	DIM. "C"	DIM. "B"	DIM. "A"	NR. OF POSITIONS	PARTNUMBER
VARIABLE CONNECTOR DIMENSIONS						

CUSTOMER DRAWING FOR REFERENCE ONLY WILL NOT BE UPDATED

© COPYRIGHT 19- By AMP HOLLAND B.V.
ALL INTERNATIONAL RIGHTS RESERVED. AMP PRODUCTS MAY BE COVERED BY U.S. AND FOREIGN AND/OR PATENTS PENDING.
THIS DRAWING IS UNPUBLISHED

AMP | AMP HOLLAND B.V.
's-Hertogenbosch, The Netherlands.

NAME: AMP-LATCH HEADER 180 DEG. VERSION WITH LATCHES

DR. : J.V.LIEMPT	CHK. : R.VERSTIJNEN	APP. : L.V.SREEST.	DWG.No. : C-828590	LOC. : AI A3	SHEET : 1 of 1	REV.LTR. : A3
DATE : 29-11-93	DATE : -	DATE : -				

