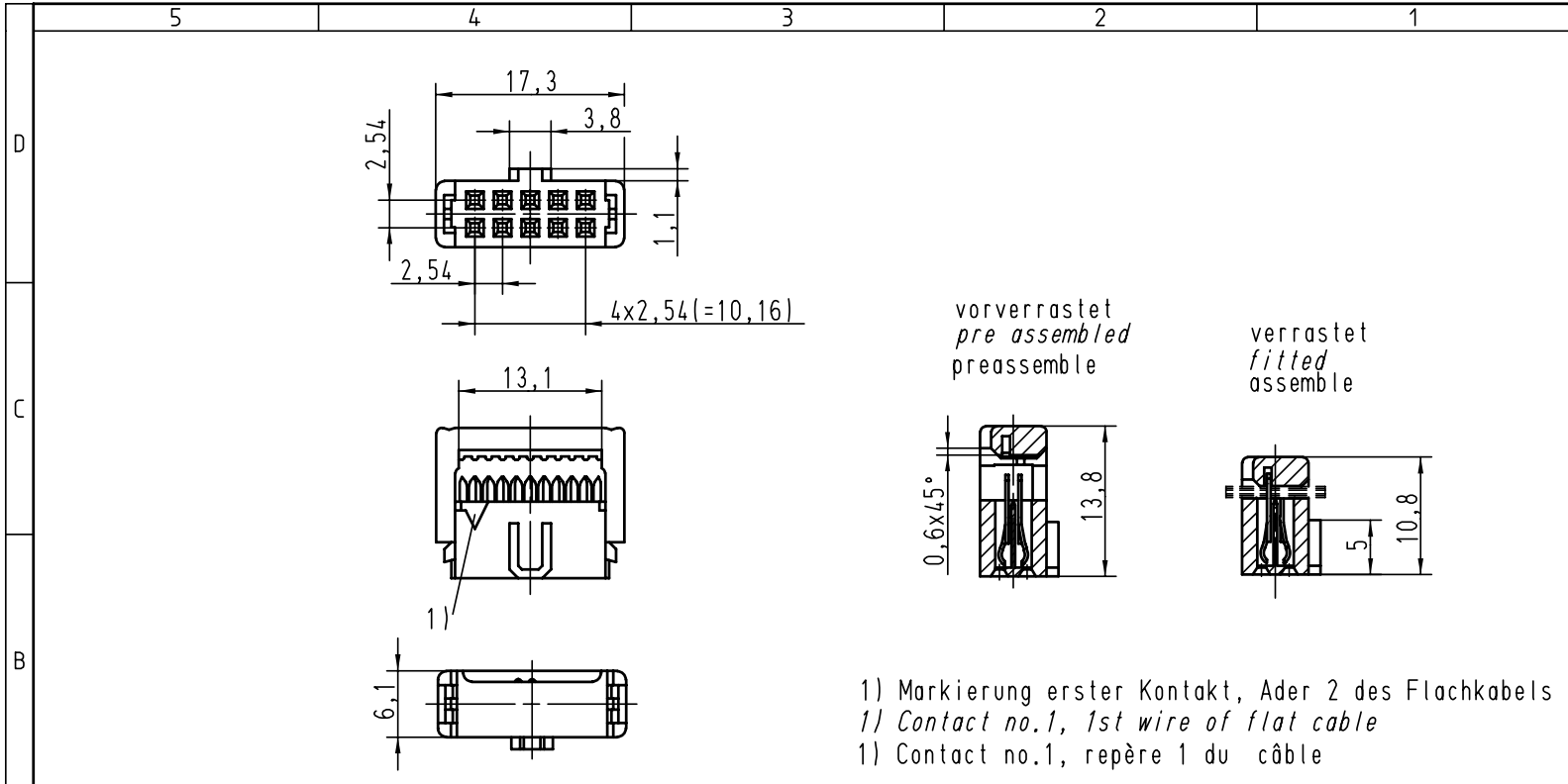


Alle Rechte vorbehalten / All rights reserved



1) Markierung erster Kontakt, Ader 2 des Flachkabels
 1) Contact no.1, 1st wire of flat cable
 1) Contact no.1, repère 1 du câble

		All Dimensions in mm Original Size DIN A 4		Techn. Character.			Nicht tolerierte Masse / Free size tolerances																			
				<table border="1"> <tr> <td></td> <td>Dat.</td> <td>Name</td> </tr> <tr> <td>Detail.</td> <td>01-FEB-00</td> <td>Th</td> </tr> <tr> <td>Insp.</td> <td>01-FEB-00</td> <td>JMV</td> </tr> <tr> <td>Sfand.</td> <td></td> <td></td> </tr> </table>			Dat.	Name	Detail.	01-FEB-00	Th	Insp.	01-FEB-00	JMV	Sfand.			<table border="1"> <tr> <td>Masstab / Scale</td> <td rowspan="4">2:1</td> </tr> <tr> <td></td> </tr> <tr> <td></td> </tr> <tr> <td></td> </tr> </table>		Masstab / Scale	2:1				SEK 18 Female connector 10 poles with central polarisation cover without cable stop	
	Dat.	Name																								
Detail.	01-FEB-00	Th																								
Insp.	01-FEB-00	JMV																								
Sfand.																										
Masstab / Scale	2:1																									
<table border="1"> <tr> <td>09185105803</td> <td>0,76 μm Au</td> </tr> <tr> <td>09185106803</td> <td>2</td> </tr> <tr> <td>09185107803</td> <td>3</td> </tr> </table>		09185105803	0,76 μm Au	09185106803	2	09185107803	3	<table border="1"> <tr> <td>27570</td> <td>01-FEB-00</td> <td>JB</td> </tr> <tr> <td>Mod.</td> <td>Dat.</td> <td>Name</td> </tr> </table>		27570	01-FEB-00	JB	Mod.	Dat.	Name	<table border="1"> <tr> <td colspan="2">HARTING EURL F-95972 Paris</td> <td rowspan="2"> </td> <td rowspan="2"> TB 0918510X803 </td> <td rowspan="2"> Blatt / page 1 / 1 </td> </tr> <tr> <td colspan="2"></td> <td>Sub.</td> </tr> </table>		HARTING EURL F-95972 Paris			TB 0918510X803	Blatt / page 1 / 1			Sub.	
09185105803	0,76 μm Au																									
09185106803	2																									
09185107803	3																									
27570	01-FEB-00	JB																								
Mod.	Dat.	Name																								
HARTING EURL F-95972 Paris			TB 0918510X803	Blatt / page 1 / 1																						
					Sub.																					
<table border="1"> <tr> <td>Bestell-Nr. Part-No. Reference</td> <td>Anforderungsstufe performance level Niveau de qualite</td> </tr> </table>		Bestell-Nr. Part-No. Reference	Anforderungsstufe performance level Niveau de qualite																							
Bestell-Nr. Part-No. Reference	Anforderungsstufe performance level Niveau de qualite																									