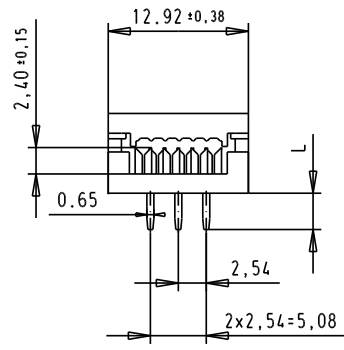
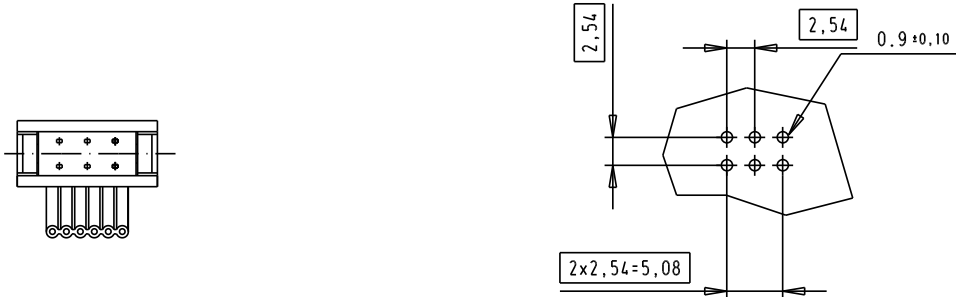


Alle Rechte vorbehalten / All rights reserved

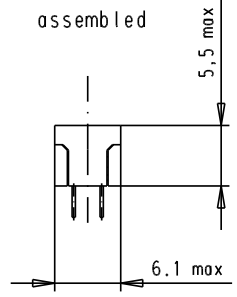
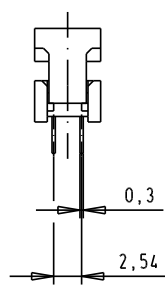
5 4 3 2 1

Printed board layout, component side





pre assembled

assembled



09 18 106 9622.210	3,0 +0/-0,25
09 18 106 9622	3,3 ±0,25
Part Number	L

			Dat.	Name	 All Dim. in mm Orig. Size DIN A 4	
			Detail.	02/04/04		JH
			Insp.			
			Stand.			
32840	20/06/05	JMDR	HARTING EURL			 Sub.
31884	02/04/04	JH	F-95972 Paris			
Mod.	Dat.	Name				

SEK 18, P.C.B Transition 06 poles connector 2 rows - Low Profile	Maßstab/ Scale 2:1
TB 0918 106 9622	Blatt / Page 1 /