

# Low Profile IDC Socket Connector



## Series 8290

Available in industry standard sizes of 10-64 positions. They mate to Elco Series 8289, 8293, 8380 and 8383 headers, as well as other industry compatible connectors. An optional strain relief, which can be easily fitted, eliminates stress on the cable. An in-contact polarizing key is available to ensure positive polarization. Contacts are copper alloy for added reliability, and are designed to mate to 0.024" (0.60mm) to 0.025" (0.64mm) square pins. The contact design facilitates maximum wipe on the header pins. (early mate, late break).



## TECHNICAL SPECIFICATION

### Material:

Molding - UL94VO rated glass filled grey polyester

Contact - Copper alloy

### Contact Plating:

Contacts are selective gold-plated over nickel, reflow tin lead on IDC section

### Current Rating:

1 ampere at 70°C maximum ambient

### Voltage Rating:

350V DC or AC peak

### Dielectric Withstanding Voltage:

1050V DC or AC peak

### Insulation Resistance:

>1000 megohms

### Contact Resistance:

Initially, 10 milliohms maximum

### Operating Temperature:

-55°C to +105°C

### Wire Gauge:

26 AWG Solid & Stranded

28 AWG Solid & Stranded

## CUSTOMER APPLICATION TOOLING

A standard hand press set and platen is available. See page 27.

## POLARIZING KEYS (strip of 10)

Order Code: 60 8290 4410 10 000

## ORDERING CODE

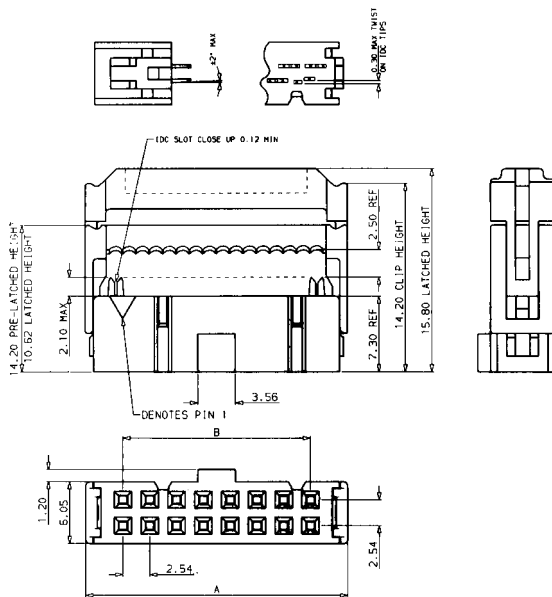
<b>00</b>	<b>8290</b>	<b>010</b>	<b>000</b>	<b>01</b>	<b>1</b>
Connector Code Prefix	Series Number	Number of Circuits	Strain Relief	Plating	Polarization
		010 = 10 position 014 = 14 position 016 = 16 position 020 = 20 position 026 = 26 position 034 = 34 position 040 = 40 position 044 = 44 position* 050 = 50 position 060 = 60 position 064 = 64 position	000 = Without strain relief (feed thru) Standard 001 = With strain relief (feed thru) Standard 006 = With latching strain relief (feed thru) see series 8380 page 20	01 = 30µ Gold over Nickel 04 = 10µ Gold over Nickel	1 = With central polarizing boss 2 = Without central polarizing boss

\*44 position connector is only available without strain relief - consult sales office for availability.

# Low Profile IDC Socket Connector



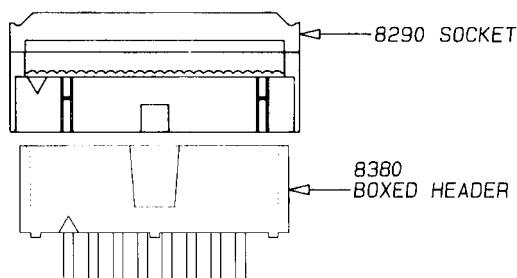
## Series 8290



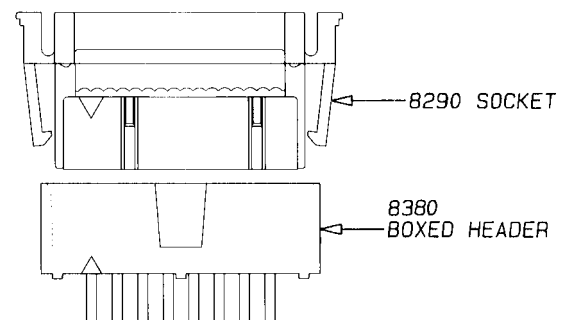
### Dimensions: millimeters (inches)

No. of Contacts	A	B
10	17.22 (0.68)	10.16 (0.40)
14	22.30 (0.88)	15.24 (0.60)
16	24.84 (0.98)	17.78 (0.70)
20	29.92 (1.18)	22.86 (0.90)
26	37.54 (1.48)	30.48 (1.20)
34	47.70 (1.88)	40.64 (1.60)
40	55.32 (2.18)	48.26 (1.90)
44	60.40 (2.38)	53.34 (2.10)
50	68.02 (2.68)	60.69 (2.39)
60	80.72 (3.18)	73.66 (2.90)
64	85.80 (3.38)	78.74 (3.10)

### Standard 001 Strain Relief



### Latching 006 Strain Relief



### Standard Strain Relief Order Code

Part Numbers when ordered separately

10 position	60 8290 6610 00 000
14 position	60 8290 6614 00 000
16 position	60 8290 6616 00 000
20 position	60 8290 6620 00 000
26 position	60 8290 6626 00 000
34 position	60 8290 6634 00 000
40 position	60 8290 6640 00 000
50 position	60 8290 6650 00 000
60 position	60 8290 6660 00 000
64 position	60 8290 6664 00 000

### Latching Strain Relief Order Code

Part Numbers when ordered separately

10 position	60 8290 68 10 000 00
14 position	60 8290 68 14 000 00
16 position	60 8290 68 16 000 00
20 position	60 8290 68 20 000 00
26 position	60 8290 68 26 000 00
34 position	60 8290 68 34 000 00
40 position	60 8290 68 40 000 00
50 position	60 8290 68 50 000 00
60 position	60 8290 68 60 000 00
64 position	60 8290 68 64 000 00