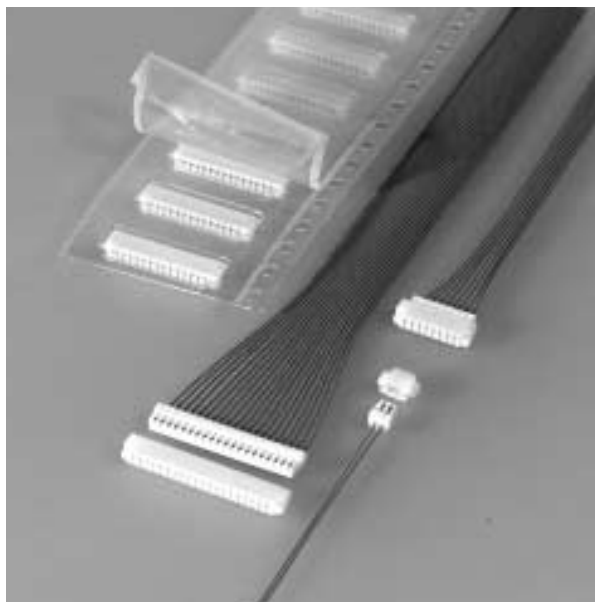


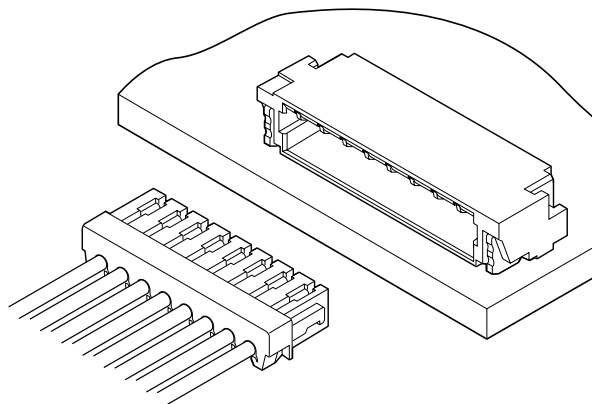
SUR CONNECTOR



Disconnectable Insulation displacement connectors



The world's first 0.8mm (.031") pitch wire-to-board insulation displacement connector. Only 3.9mm (.154") depth and 1.75mm (.069") height after mounting on the PC board. Compared to the conventional 1.0mm (.039") pitch SSR connector, occupation space on the board is reduced by 34%.



Features

• 3-point grip construction

The 3-point insulation grip feature and the strain relief ensure a firm grip on terminated wires and protection of the insulation displacement connection from possible damage.

• Super fine wires are applicable

Applicable wire is of AWG #32 with only 0.38mm (.015") O.D. With this super fine wire, routing of wires is easy.

• Shrouded header

The header is fully shrouded, but remains thin.

• Twin U-slot insulation displacement section

The insulation displacement section connected to each wire consists of two tin-plated slots (twin U-slots), which ensures reliable connection.

Specifications

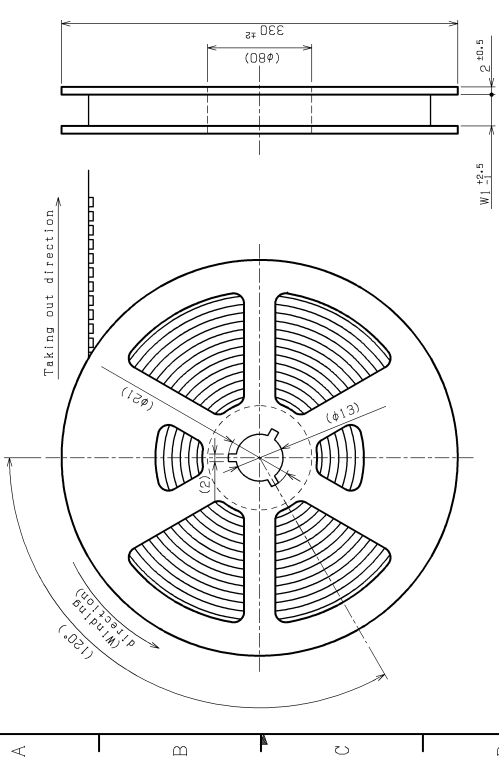
- Current rating: 0.5A AC, DC (AWG #32)
0.2A AC, DC (AWG #36)
 - Voltage rating: 30V DC
 - Temperature range: -25°C to +85°C (including temperature rise in applying electrical current)
 - Contact resistance: Initial value/20m Ω max.
After environmental testing/40m Ω max.
 - Insulation resistance: 100M Ω min.
 - Withstanding voltage: 200V AC/minute
 - Applicable wire: AWG #32, #36
Conductor/7 strands,
tin-coated copper alloy
Insulation O.D./0.38mm (.015")
- * Contact JST if Lead-Free product is required.
* Refer to "General Instruction and Notice when using Terminals and Connectors" at the end of this catalog.
* Contact JST for details.

Standards

- Recognized E60389
- 1 Certified LR20812

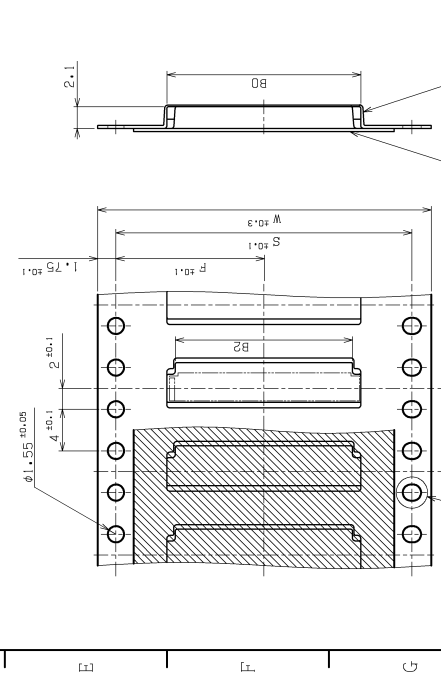
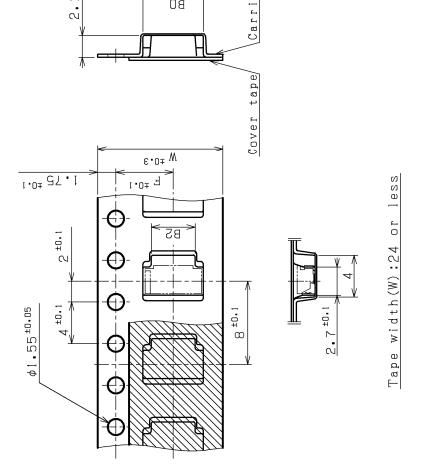
PART No.	Color
SM () B-SURS-TF (LF) (SN)	NATURAL
SM () B-SURL-TF (LF) (SN)	LEMON YELLOW
SM () B-SURO-TF (LF) (SN)	ORANGE
SM () B-SURPK-TF (LF) (SN)	PINK
SM () B-SURLE-TF (LF) (SN)	LIGHT BLUE
SM () B-SURLG-TF (LF) (SN)	LIGHT GREEN
SM () B-SURLP-TF (LF) (SN)	LIGHT PURPLE

Dimensions				Dimensions							
Cir-cuits	B0	F	S	W	W1	B0	F	S	W	W1	
2	4.2	2.6	5.5	12	13.5	14	13.8	12.2	11.5	24	25.5
3	5.0	3.4	5.5	12	13.5	15	14.6	13.0	11.5	24	25.5
4	5.8	4.2	5.5	12	13.5	16	15.4	13.8	11.5	24	25.5
5	6.6	5.0	7.5	16	17.5	17	16.2	14.6	11.5	24	25.5
6	7.4	5.8	7.5	16	17.5						
8	9.0	7.4	7.5	16	17.5	20	18.6	17.0	14.2	28.4	32
10	10.6	9.0	11.5	24	25.5	22	20.2	18.6	14.2	28.4	32
12	12.2	10.6	11.5	24	25.5						



NOTE

1. Unless otherwise specified, tolerances are ±0.3.
2. Connector part: See the DWG. of the SUR connector.
3. Quantity to be packaged: 3500pcs/Reel
4. Leading tape length.



COVER TEAPE

COVER TEAPE

CARRIER TAPE

CARRIER TAPE

5. Material: Carrier tape: Polyester (PET)

Cover tape : Polyester (PET)

Reel: Flange : Polystyrene (PS)

Cafe : Polypropylene (PP)

Polystyrene (PS)

No.	PART NAME	MATERIAL	SURFACE FINISH	REMARKS
A2	SCALE	PROJECTION DATE	CUSTOMER	
2:1	METRIC	MAR. 8, 2004		
DESIGNED	CHECKED	DRAWN	SUR CONNECTOR	
T.N	S.S	M.H	PART No.	SM () B-SUR () -TF (LF) (SN)
			DRAWING No.	KRD-31654-1
				RD

