

**VHDCI** Very High Density Cable Interconnect provides interconnections where space limitations and high performance are key requirements. Designed to be compact, these fully shielded connectors support ESD/EMI protection, are capable of transferring data up to 80 Gbps and meet EIA700A0AF specifications. Receptacles are available in both right angle and straddle-mount configurations with or without shield EMI tabs.



- Ultra-SCSI
- Ultra-320
- SFF-8441
- EA1700A0AF

### APPLICATIONS

- RAID
- Disk Drives/Systems
- Servers
- SANs (Storage Area Networks)
- Routers

### ORDERING INFORMATION

Contact Amphenol for additional options

## VHDCI Receptacle

H11 - R D A - 1 0 0 - 4\* - CT\*

VHDCI RECEPTACLE

#### STYLE

**RAA** - Right Angle, Single Port

**RDA** - Straddle Mount, Single Port

#### OPTIONS

**100** - No Screwlocks, Standard Shell

**101** - Screwlocks Bulk Packed, Standard Shell

**110** - No Screwlocks (Standard), Shell without EMI Tabs

**111** - Screwlocks Bulk Packed, Shell without EMI Tabs

#### STRADDLE MOUNT PACKAGING

**C** - Plug Cover and Tube Packaging\*

**T** - Tape & Reel Packaging\*

**CT** - Plug Cover and Tape & Reel Packaging\*

#### CONTACT OPTIONS

Blank - Standard\*\*

**1** - 0.125\* contact tails\*\*

**3** - 0.062\* PCB Thickness\*

**4** - 0.093\* PCB Thickness\*

#### NOTES

\* RDA Style Only

\*\* RAA Style Only

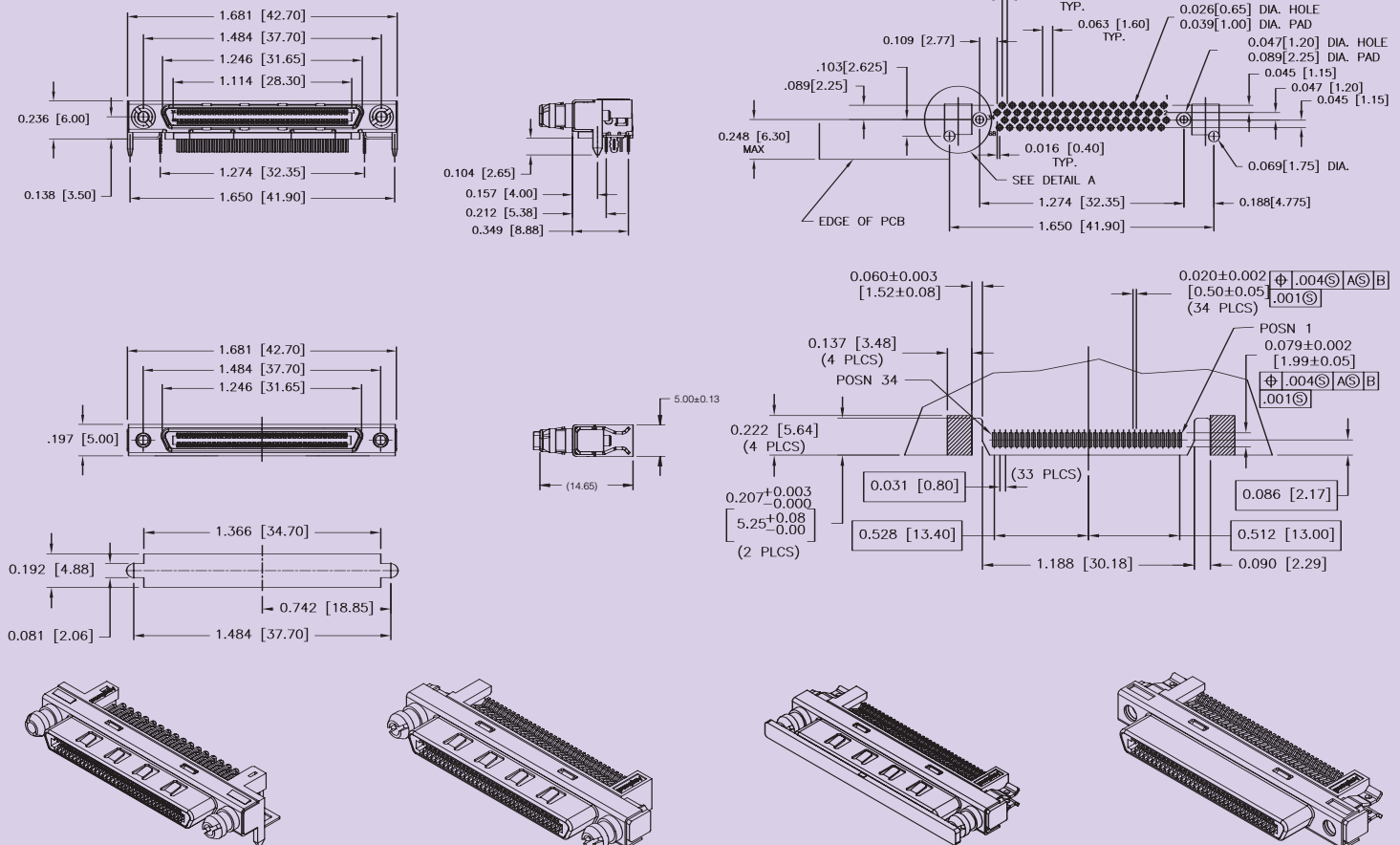
## MATERIAL SPECIFICATIONS

<b>Plastic Insulator</b>	Thermoplastic Flammability rating - UL94V-0	<b>Ground Clips</b>	Steel; Tin plated
<b>Contacts</b>	Phosphor bronze 30µ" [0.76µm] gold plating over nickel on mating area and tin-lead plating over nickel on PCB termination	<b>Center Shield</b>	Brass; Nickel plated
<b>Shell</b>	Steel; Nickel plated	<b>Nuts</b>	Brass; Bright zinc plated
		<b>Screw-Locks</b>	Steel; Nickel plated

## ELECTRICAL AND ENVIRONMENTAL SPECIFICATIONS

<b>Current Rating</b>	1.5 Amp maximum/contact (single contact) 0.5 Amp maximum/contact (34 contacts energized) 0.3 Amp maximum/contact (68 contacts energized)	<b>Insulation Resistance</b>	500 MΩ minimum
<b>Contact Resistance</b>	60mΩ maximum	<b>Rated Voltage</b>	30 V rms
		<b>Operating Temperature</b>	-55°C to +85°C
		<b>Durability</b>	2000 mating cycles

## TECHNICAL SPECIFICATIONS / ISOMETRIC VIEWS



TOLERANCE: ± 0.005 [± 0.13] DIMENSIONS TO BE USED AS REFERENCE ONLY PLEASE REFER TO SALES DRAWINGS FOR DETAILED DIMENSIONS SPECIFICATIONS SUBJECT TO CHANGE