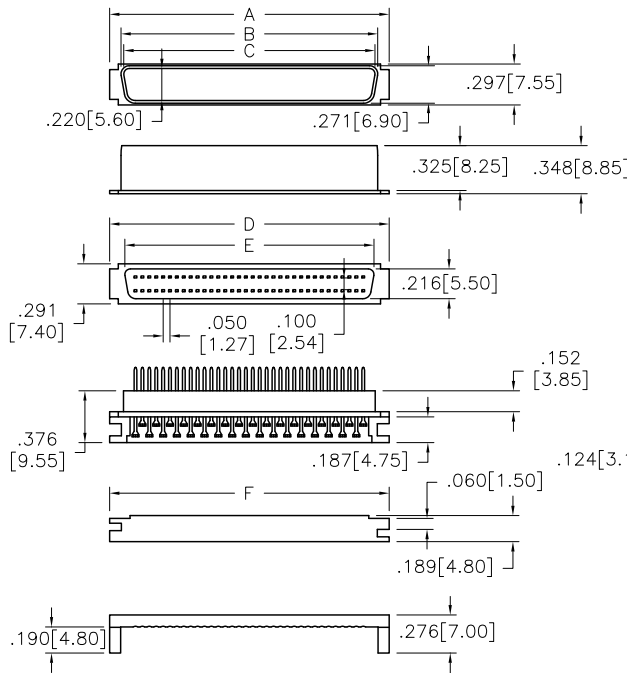


© COPYRIGHT 1997 BY SPC TECHNOLOGY. ALL RIGHTS RESERVED. NO PORTION OF THIS PUBLICATION, WHETHER IN WHOLE OR IN PART CAN BE REPRODUCED WITHOUT THE EXPRESS WRITTEN CONSENT OF SPC TECHNOLOGY.

REVISIONS			DOC. NO. SPC-F005, Total Pages: 2 Effective: 3/3/97, DCP No: 103 Supersedes DCP No: 97					
DCP #	REV	DESCRIPTION	DRAWN	DATE	CHECKD	DATE	APPRVD	DATE
5	A	RELEASED	D.J.C.	4/3/97	J.C.	4/9/97	B.B.	4/14/97



NOTES:

- CONTACT CURRENT RATING: 1 AMP
- DIELECTRIC WITHSTANDING VOLTAGE: 500 VAC
- INSULATION RESISTANCE: 1,000 MEGOHMS MINIMUM
- CONTACT RESISTANCE: 25 MILLIOHMS MAXIMUM
- CONTACT MATERIAL: PHOSPHOR BRONZE
- INSULATOR MATERIAL: PBT (UL94V-0)
- SHELL MATERIAL: COLD ROLLED STEEL
- CONTACT FINISH: 30ul GOLD ON MATING END (MINIMUM)
3ul GOLD ON TERMINATION END (MINIMUM)
ALL UNDER PLATED WITH 1.3ul NICKEL (MINIMUM)
- OPERATING TEMPERATURE: -55°C TO +105°C

REV	PART NUMBER	POSITION	A	B	C	D	E	F
A	8535-0265	26	.975 [24.76]	.823 [20.91]	.772 [19.61]	.975 [24.76]	.770 [19.56]	.975 [24.76]
A	8535-0266	50	1.575 [40.00]	1.425 [36.15]	1.372 [34.85]	1.575 [40.00]	1.370 [34.80]	1.575 [40.00]
A	8535-0267	68	2.025 [51.43]	1.874 [47.58]	1.822 [46.28]	2.025 [51.43]	1.820 [46.23]	2.025 [51.43]

DISCLAIMER:
ALL STATEMENTS AND TECHNICAL INFORMATION CONTAINED HEREIN ARE BASED UPON INFORMATION AND/OR TESTS WE BELIEVE TO BE ACCURATE AND RELIABLE. SINCE CONDITIONS OF USE ARE BEYOND OUR CONTROL, THE USER SHALL DETERMINE THE SUITABILITY OF THE PRODUCT FOR THE INTENDED USE AND ASSUME ALL RISK AND LIABILITY WHATSOEVER IN CONNECTION THEREWITH.



SPC TECHNOLOGY
CHICAGO, IL 60640-4498

DIMENSIONS ARE FOR REFERENCE PURPOSES ONLY.

DRAWN BY:	DATE:
DANIEL CAREY	4/3/97
CHECKED BY:	DATE:
JOHN COLE	4/9/97
APPROVED BY:	DATE:
BRETT BRAATZ	4/14/97

DRAWING TITLE:
0.050 26/50/68C CABLE PLUG CONNECTORS

SIZE	DWG. NO.	CAD FILE	REV
A	TA16	TA16.DWG	A
SCALE: NTS	U.O.M.: INCHES [mm]	SHEET: 1 OF 1	