

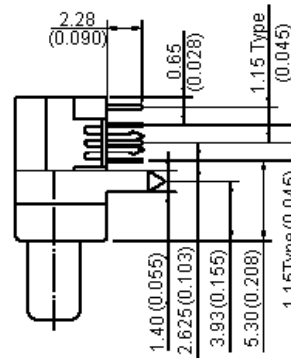
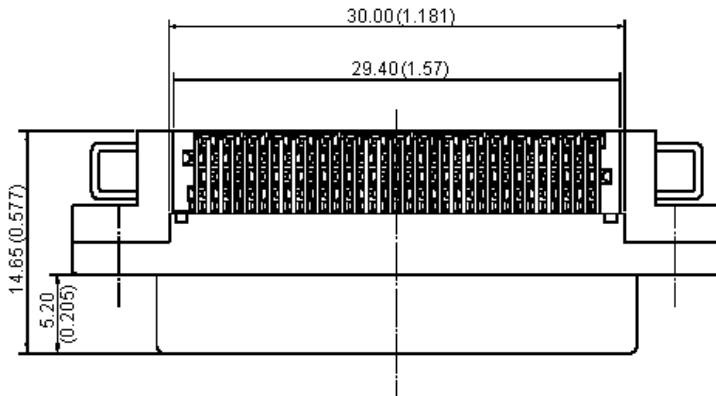


PART NO.

34L068S-326H-BB-HT

REVISIONS

ECN #	REV	DESCRIPTION	DRAWN	DATE	CHECKD	DATE	APPRVD	DATE
-	A	RELEASED	Veena	12/4/08	Suresh	12/4/08	G. C	25/4/08



Dimensions : Millimetres (Inches)

This data sheet and its contents (the "Information") belong to the Premier Farnell Group (the "Group") or are licensed to it. No licence is granted for the use of it other than for information purposes in connection with the products to which it relates. No licence of any intellectual property rights is granted. The Information is subject to change without notice and replaces all data sheets previously supplied. The Information supplied is believed to be accurate but the Group assumes no responsibility for its accuracy or completeness, any error in or omission from it or for any use made of it. Users of this data sheet should check for themselves the Information and the suitability of the products for their purpose and not make any assumptions based on information included or omitted. Liability for loss or damage resulting from any reliance on the Information or use of it (including liability resulting from negligence or where the Group was aware of the possibility of such loss or damage arising) is excluded. This will not operate to limit or restrict the Group's liability for death or personal injury resulting from its negligence. SPC MULTICOMP is the registered trademark of the Group. © Premier Farnell plc 2008.

**TOLERANCES:
UNLESS OTHERWISE
SPECIFIED,
DIMENSIONS ARE
FOR REFERENCE
PURPOSES ONLY.**

DRAWN BY:	DATE:
Veena	12/04/08
CHECKED BY:	DATE:
Suresh	12/04/08
APPROVED BY:	DATE:
G.Cook	25/04/08

DRAWING TITLE:

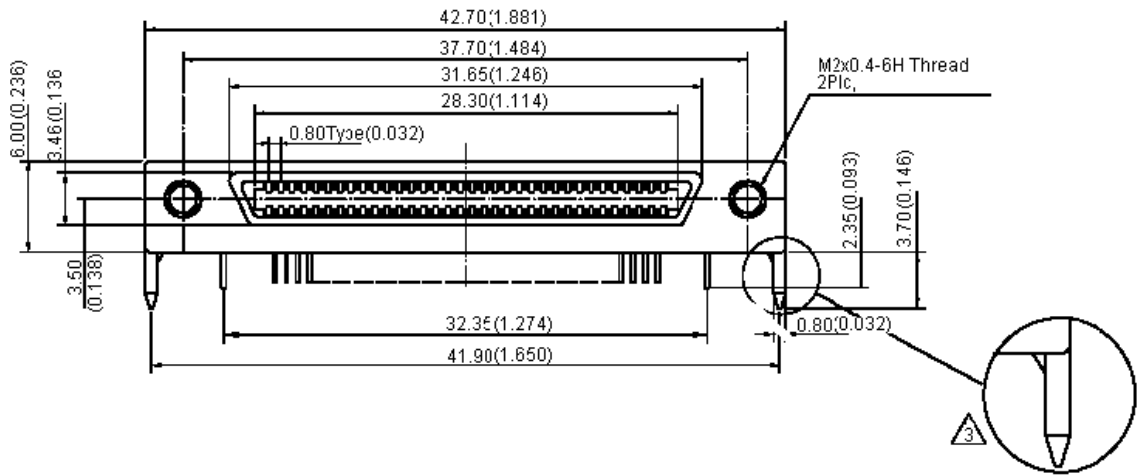
VHDCI Socket - 68 Way

SIZE A	DWG NO. M10000843	ELECTRONIC FILE 1428257_DWG	REV A
SCALE: NTS		U.O.M.: mm (Inches)	SHEET: 1 OF 3



PART NO.
34L068S-326H-BB-HT

REVISIONS								
ECN #	REV	DESCRIPTION	DRAWN	DATE	CHECKD	DATE	APPRVD	DATE
-	A	RELEASED	Veena	12/4/08	Suresh	12/4/08	G. C	25/4/08



Dimensions : Millimetres (Inches)

Part Number Table

Description	Part Number
VHDCI Socket 68 Way	34L068S-326H-BB-HT

This data sheet and its contents (the "Information") belong to the Premier Farnell Group (the "Group") or are licensed to it. No licence is granted for the use of it other than for information purposes in connection with the products to which it relates. No licence of any intellectual property rights is granted. The Information is subject to change without notice and replaces all data sheets previously supplied. The Information supplied is believed to be accurate but the Group assumes no responsibility for its accuracy or completeness, any error in or omission from it or for any use made of it. Users of this data sheet should check for themselves the Information and the suitability of the products for their purpose and not make any assumptions based on information included or omitted. Liability for loss or damage resulting from any reliance on the Information or use of it (including liability resulting from negligence or where the Group was aware of the possibility of such loss or damage arising) is excluded. This will not operate to limit or restrict the Group's liability for death or personal injury resulting from its negligence. SPC MULTICOMP is the registered trademark of the Group. © Premier Farnell plc 2008.

TOLERANCES:
UNLESS OTHERWISE SPECIFIED, DIMENSIONS ARE FOR REFERENCE PURPOSES ONLY.

DRAWN BY:	DATE:
Veena	12/04/08
CHECKED BY:	DATE:
Suresh	12/04/08
APPROVED BY:	DATE:
G.Cook	25/04/08

DRAWING TITLE:			
VHDCI Socket - 68 Way			
SIZE	DWG NO.	ELECTRONIC FILE	REV
A	M10000843	1428257_DWG	A
SCALE: NTS		U.O.M.: mm (Inches)	SHEET: 2 OF 3



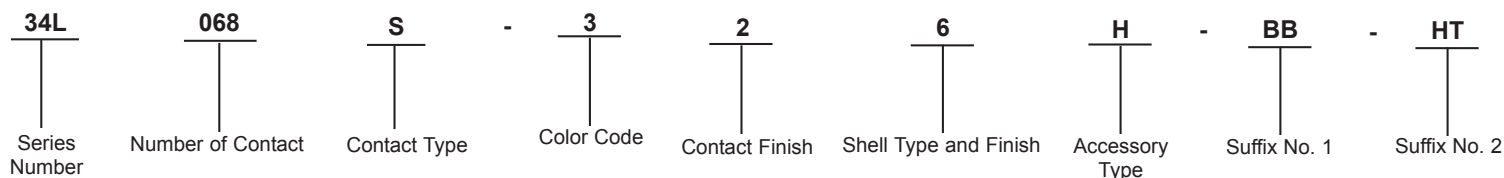
PART NO.

34L068S-326H-BB-HT

REVISIONS

ECN #	REV	DESCRIPTION	DRAWN	DATE	CHECKD	DATE	APPRVD	DATE
-	A	RELEASED	Veena	12/4/08	Suresh	12/4/08	G. C	25/4/08

Part Number Explanation:



- Series Number** : 34L = 0.8mm champ right angel mini conn. P.C.B. mounting type.
- Number of Contacts** : 068 = 68 Positions.
- Contact Type** : S = Socket.
- Color Code** : 3 = Black.
- Contact Finish** : 3 = 30µ" selectived gold over 50µ" nickel.
- Shell Type and Finish** : 6 = Die casting type without grounding.
- Accessory Types** : H = With harpoons and attach M2 x 0.4 screws.
- Suffix No. 1** : BB = Without logo and solder tail 2.28mm.
- Suffix No. 2** : HT = Plastic material is LCP.

<http://www.farnell.com>
<http://www.newark.com>
<http://www.cpc.co.uk>

This data sheet and its contents (the "Information") belong to the Premier Farnell Group (the "Group") or are licensed to it. No licence is granted for the use of it other than for information purposes in connection with the products to which it relates. No licence of any intellectual property rights is granted. The Information is subject to change without notice and replaces all data sheets previously supplied. The Information supplied is believed to be accurate but the Group assumes no responsibility for its accuracy or completeness, any error in or omission from it or for any use made of it. Users of this data sheet should check for themselves the Information and the suitability of the products for their purpose and not make any assumptions based on information included or omitted. Liability for loss or damage resulting from any reliance on the Information or use of it (including liability resulting from negligence or where the Group was aware of the possibility of such loss or damage arising) is excluded. This will not operate to limit or restrict the Group's liability for death or personal injury resulting from its negligence. SPC MULTICOMP is the registered trademark of the Group. © Premier Farnell plc 2008.

TOLERANCES: UNLESS OTHERWISE SPECIFIED, DIMENSIONS ARE FOR REFERENCE PURPOSES ONLY.	DRAWN BY: Veena	DATE: 12/04/08	DRAWING TITLE: VHDCI Socket - 68 Way			
	CHECKED BY: Suresh	DATE: 12/04/08				
	APPROVED BY: G.Cook	DATE: 25/04/08	SIZE A	DWG NO. M10000843	ELECTRONIC FILE 1428257_DWG	REV A
	SCALE: NTS		U.O.M.: mm (Inches)		SHEET: 3 OF 3	