

This document is the property of Amphenol Corporation and is delivered on the express condition that it is not to be disclosed, reproduced or used, in whole or in part, for manufacture or sale by anyone without the Amphenol Corporation's written consent. It is not to be used in any way without the written consent of Amphenol Corporation. All rights are reserved.

REVISIONS				
SYM	EDN	DESCRIPTION	DATE	APPROVED
A	HK	PRELIMINARY RELEASE	01/14/03	Y.M.LEE

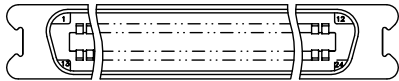
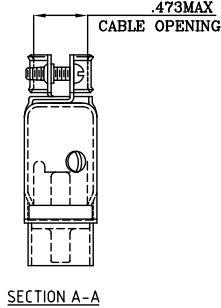
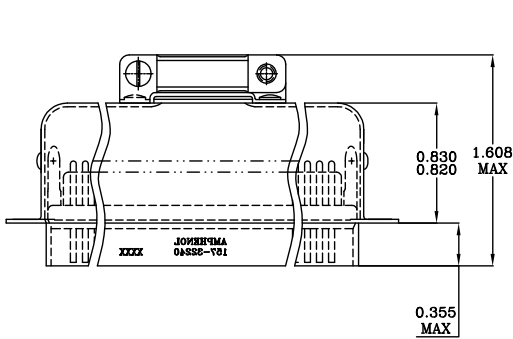
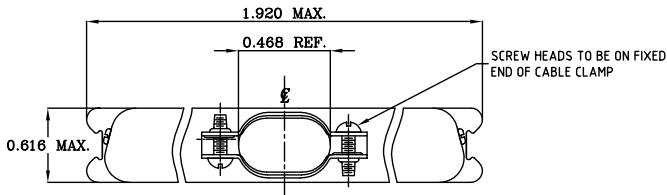


TABLE 1

CONNECTOR SIZES	AVERAGE MATING FORCE (POUNDS)
14	5
24	8
36	12
50	15
64	19

- 9) DIELECTRIC WITHSTANDING VOLTAGE: 1200 VAC (RMS) AT SEA LEVEL
- 10) CONNECTOR MATING FORCE: REFER TO TABLE 1.
- 11) CONTACT RETENTION FORCE: 2 LBS MAX.
- 12) DURABILITY: 250 CYCLES MIN.
- 13) VIBRATION: NO INTERRUPTIONS < 1u SEC.
- 14) OPERATING TEMPERATURE: -55°C TO +105°C (-67°F TO +221°F)

SPECIFICATIONS:

- 1) INSULATION DISPLACEMENT CONTACTS: TO ACCOMMODATE 24-26 AWG SOLID AND 26-28 STRANDED CONNECTOR WIRES.
- 2) DIELECTRIC: PBT GLASS FIBER RE-INFORCED, UL-94V0
- 3) CONTACT MATERIAL: COPPER ALLOY
- 4) CONTACT: 20 MICRO-INCHES MIN. GOLD MATING AREA: 3-5 MICRO-INCHES GOLD TERMINAL AREA: 50 MICRO-INCHES MIN. NICKEL UNDERPLATING ALL OVER.
- 5) SHELL MATERIAL: ZINC PLATED STEEL.
- 6) CURRENT CAPACITY: 5 AMPS/CONTACT
- 7) VOLTAGE RATING: 700 VOLTS D.C. AT SEA LEVEL
200 VOLTS D.C. AT 70,000 FEET
- 8) INSULATION RESISTANCE: >5000 M OHM

CUSTOMER INFORMATION DRAWING

ITEM NO	PART OR IDENTIFICATION NO	NOMENCLATURE OR DESCRIPTION	QTY	REV'D
PARTS LIST				
UNLESS OTHERWISE SPECIFIED TOLERANCES		APPROVAL	DATE	
U.S. METRIC		DRAWN Y.M. LEE	01/14/03	
X +/- 0.020		CHECKED Y.M. LEE	01/14/03	
XX +/- 0.010		CHECKED		
XXX +/- 0.005				
FRACTIONS +/-		DRAWING FILE : \DRAWING\157\C15732240.DWG		
ANGLES +/- 1°		TITLE 24 CONTACT SIZE MICROPIERCE CABLE MOUNT PLUG ASSEMBLY		
FOR MATERIALS AND FINISHES SEE NOTES		AMPHENOL		
REMOVE SHARP EDGES		Amphenol East Asia Limited Manufacturing Operation		
DIMENSIONS		ANGLE OF PROJECTION		
U.S. INCHES		FIRST ANGLE		
-(METRIC)-		-		
SIZE	DRAWING NO.	SCALE	REV.	
A3	C157-32240	NONE	A	
SHEET 1 OF 1				