

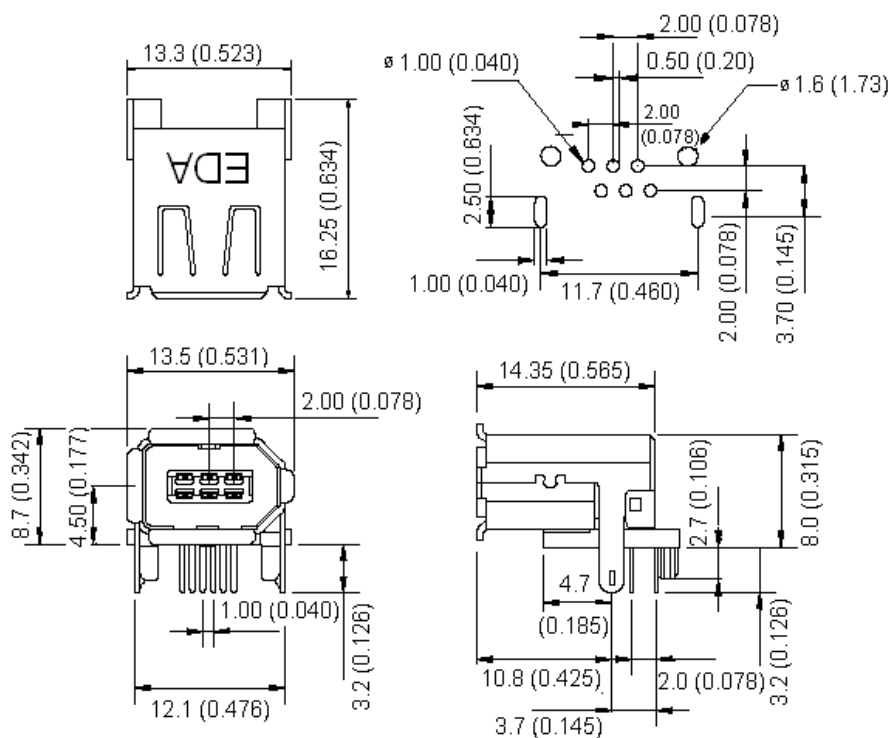


PART NO.

3EL06S-3-XX

REVISIONS

ECN #	REV	DESCRIPTION	DRAWN	DATE	CHECKD	DATE	APPRVD	DATE
-	A	RELEASED	Veena	14/4/08	Suresh	14/4/08	G. C	28/4/08



Dimensions : Millimetres (Inches)

Specifications:

Material:

- Housing : LCP with 30% glass-fibre.
- Contact : Brass, gold plated over nickel.
- Shell : Brass, tin-lead plated.

Electrical:

- Current rating : 1A/contact.
- Voltage rating : 30V ac (rms)
- Maximum Contact resistance : Initial 30mΩ.
- Minimum Insulation resistance : Final 40mΩ.
- Dielectric withstanding voltage : 100mΩ 500V dc.
- Dielectric withstanding voltage : 500V ac for 1 minute.

Mechanical:

- Minimum Durability : 1500 cycles.
- Maximum Mating force : 4kgf.
- Minimum Unmating force : 1kgf.
- Operating temperature : - 25 to + 85°C.

This data sheet and its contents (the "Information") belong to the Premier Farnell Group (the "Group") or are licensed to it. No licence is granted for the use of it other than for information purposes in connection with the products to which it relates. No licence of any intellectual property rights is granted. The Information is subject to change without notice and replaces all data sheets previously supplied. The Information supplied is believed to be accurate but the Group assumes no responsibility for its accuracy or completeness, any error in or omission from it or for any use made of it. Users of this data sheet should check for themselves the Information and the suitability of the products for their purpose and not make any assumptions based on information included or omitted. Liability for loss or damage resulting from any reliance on the Information or use of it (including liability resulting from negligence or where the Group was aware of the possibility of such loss or damage arising) is excluded. This will not operate to limit or restrict the Group's liability for death or personal injury resulting from its negligence. SPC MULTICOMP is the registered trademark of the Group. © Premier Farnell plc 2008.

TOLERANCES:

UNLESS OTHERWISE SPECIFIED, DIMENSIONS ARE FOR REFERENCE PURPOSES ONLY.

DRAWN BY:	DATE:
Veena	14/04/08
CHECKED BY:	DATE:
Suresh	14/04/08
APPROVED BY:	DATE:
G.Cook	28/04/08

DRAWING TITLE:

IEEE1394 FIRE WIRE - 6 Way

SIZE	DWG NO.	ELECTRONIC FILE	REV
A	M10000848	1099044_DWG	A
SCALE: NTS	U.O.M.: mm (Inches)	SHEET: 1 OF 2	



PART NO.

3EL06S-3-XX

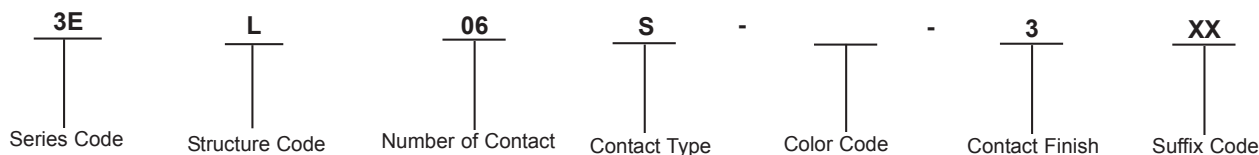
REVISIONS

ECN #	REV	DESCRIPTION	DRAWN	DATE	CHECKD	DATE	APPRVD	DATE
-	A	RELEASED	Veena	14/4/08	Suresh	14/4/08	G. C	28/4/08

Part Number Table

Description	Part Number
IEEE1394 FIRE WIRE 6 WAY	3EL06S-3-XX

Part Number Explanation:



- Series Code** : 3E = IEEE 1394 Connector.
- Structure Code** : L = R/A Thru Hole Horizontal P.C.B. Connector.
- Number of Contact** : 06 = 6 Positions.
- Contact Type** : S = Receptacle.
- Color Code** : 3 = Black.  
A = Beige.
- Contact Finish** : 30µ" Gold plated on contact area.
- Suffix Code** :

<http://www.farnell.com>

<http://www.newark.com>

<http://www.epc.co.uk>

This data sheet and its contents (the "Information") belong to the Premier Farnell Group (the "Group") or are licensed to it. No licence is granted for the use of it other than for information purposes in connection with the products to which it relates. No licence of any intellectual property rights is granted. The Information is subject to change without notice and replaces all data sheets previously supplied. The Information supplied is believed to be accurate but the Group assumes no responsibility for its accuracy or completeness, any error in or omission from it or for any use made of it. Users of this data sheet should check for themselves the Information and the suitability of the products for their purpose and not make any assumptions based on information included or omitted. Liability for loss or damage resulting from any reliance on the Information or use of it (including liability resulting from negligence or where the Group was aware of the possibility of such loss or damage arising) is excluded. This will not operate to limit or restrict the Group's liability for death or personal injury resulting from its negligence. SPC MULTICOMP is the registered trademark of the Group. © Premier Farnell plc 2008.

TOLERANCES:

UNLESS OTHERWISE SPECIFIED, DIMENSIONS ARE FOR REFERENCE PURPOSES ONLY.

<b>DRAWN BY:</b>	<b>DATE:</b>
Veena	14/04/08
<b>CHECKED BY:</b>	<b>DATE:</b>
Suresh	14/04/08
<b>APPROVED BY:</b>	<b>DATE:</b>
G.Cook	28/04/08

DRAWING TITLE:

IEEE1394 FIRE WIRE - 6 Way

<b>SIZE</b> A	<b>DWG NO.</b> M10000848	<b>ELECTRONIC FILE</b> 1099044_DWG	<b>REV</b> A
<b>SCALE: NTS</b>		<b>U.O.M.: mm (Inches)</b>	<b>SHEET: 2 OF 2</b>