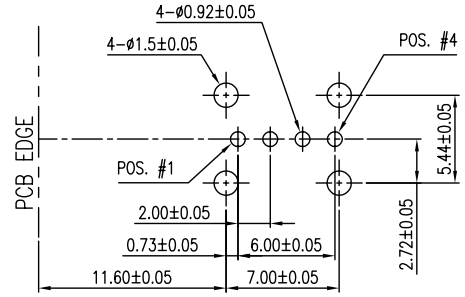
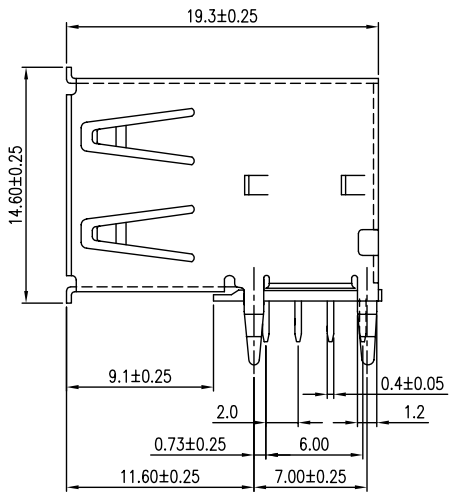
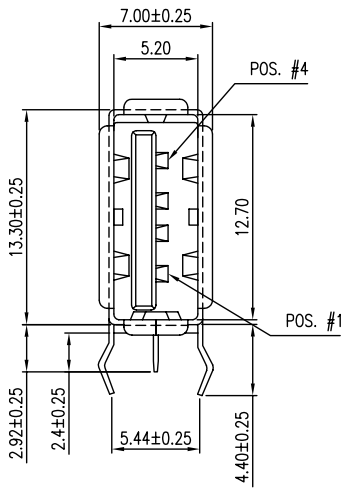


This document is the property of Amphenol Corporation and is delivered on the express condition that it is not to be disclosed, reproduced or used, in whole or in part, for manufacture or sale by anyone other than Amphenol Corporation without its prior consent, and that no right is granted to disclose or to use any information in this document.

**CUSTOMER DRAWING**

REVISIONS				
SYM	ECN No.	DESCRIPTION	DATE	APPROVED
A		RELEASE FOR RoHS	07/24/2008	Armstrong Kao
B	NE-07071	ADDING NOTE 5	02/13/2007	HC Liu



RECOMMENDED PC BOARD LAYOUT

- NOTES:
- HOUSING & BOTTOM COVER: PBT, UL94V-0, COLOR- WHITE
  - CONTACT: PHOSPHOR BRONZE, 0.25 MM THICKNESS SELECTIVE GOLD PLATED ON CONTACT AREA, TIN PLATED ON SOLDERING AREA
  - SHELL: BRASS, 0.3 MM THICKNESS, NICKEL PLATED
  - REAR SHELL: SPCC, 0.3 MM THICKNESS, NICKEL PLATED
  - THE LABEL MARKED WITH Amphenol P/N MUST BE ATTACHED ON PE BAG, TRAY, REEL, INNER BOX OR CARTON, PER Amphenol PACKING SPEC PKS-0001
  - △ IS CRITICAL DIMENSIONS
  - THIS PRODUCT DOESN'T CONTAIN ENVIRONMENTAL HAZARDOUS MATERIALS PER DIRECTIVE 2002/95/EC FOR RoHS.
  - THE PRODUCT MUST BE FOR DIP PROCESS ONLY

TOLERANCE	m/m	APPROVALS	DATE	TITLE	Amphenol® Amphenol Corporation Amphenol Taiwan Corporation	
x.	±0.30	DRAWN		UNIVERSAL SERIAL BUS RECEPTACLE, SERIES A UPRIGHT, RIGHT-ANGLE PCB MOUNT	SCALE	N.A.
x.x	±0.25	CHECKED			SHEET	1 OF 1
x.xx	±0.15	APPROVED			DRAWING NO.	OTHER-GSB191X0KEU-29
x.xxx	±0.08				REV.	B
ANGULAR	±2'			SIZE	A4	
UNLESS OTHERWISE SPECIFIED		UNIT		PART NO.	GSB 191 X0 KEU	
		MM		DRAWING NO.	OTHER-GSB191X0KEU-29	