

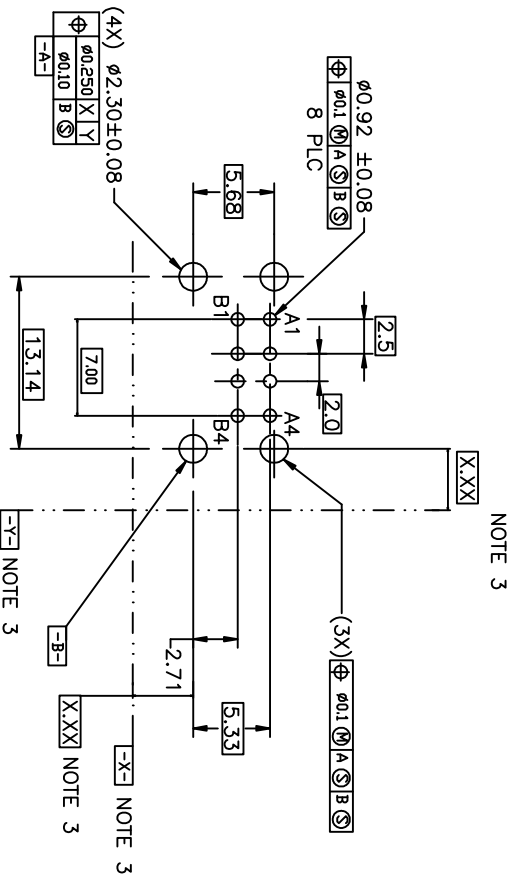
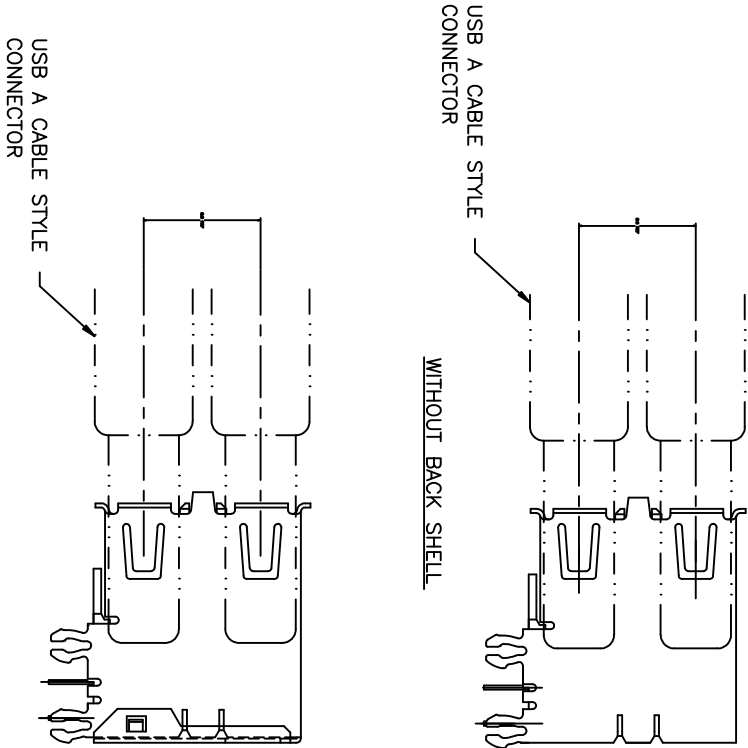


form no. 7530-001-103

1 | 2

3

4



RECOMMENDED PC DIMENSIONS

NOTES:

1. MATERIAL:  
 CONTACTS-COPPER ALLOY  
 SHELL-COPPER ALLOY  
 HOUSING-UL 94-V-0 RATED THERMOPLASTIC.

2. PLATING:

- CONTACTS-0.76um MINIMUM GLOD FLASH OVER PALLADIUM NICKEL IN CONTACT AREA OR 0.76um MIN GOLD FLASH
- 3.8um MINIMUM TIN-LEAD ON SOLDER TAILS
- ALL OVER 1.27um MINIMUM NICKEL.
- SHELL, 5um MINIMUM BRIGHT TIN OVER 2.5um MINIMUM NICKEL.

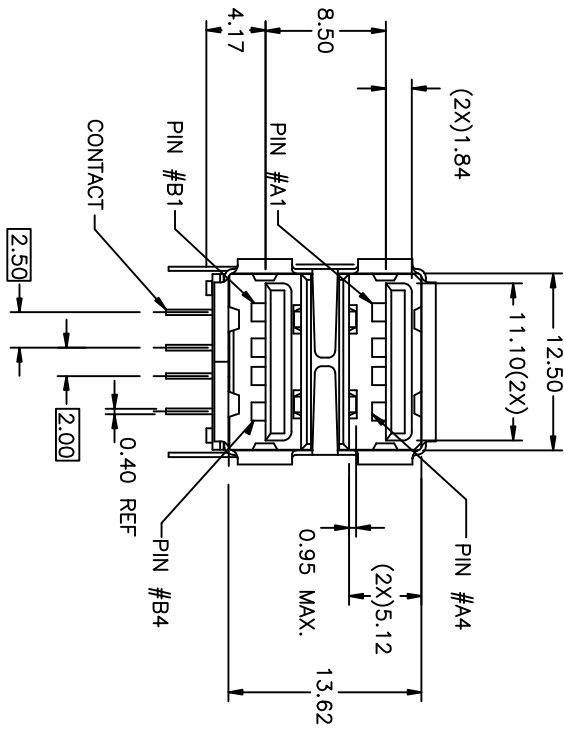
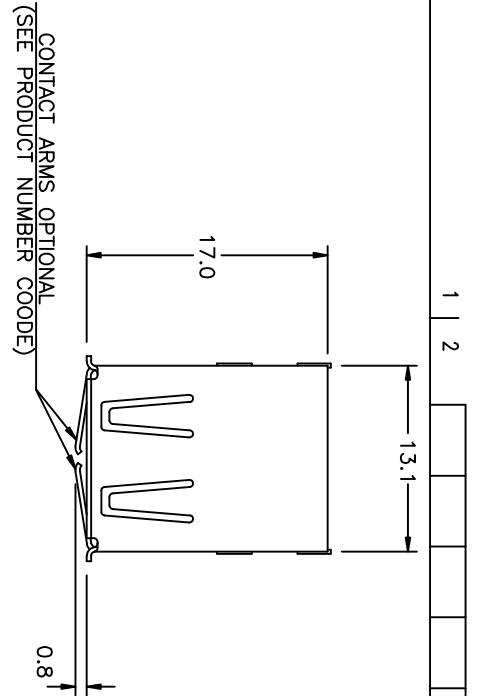
③ DATUM AND BASIC DIMENSIONS ESTABLISHED BY CUSTOMER.

4. RECOMMENDED PC BOARD THICKNESS OF 1.57mm.

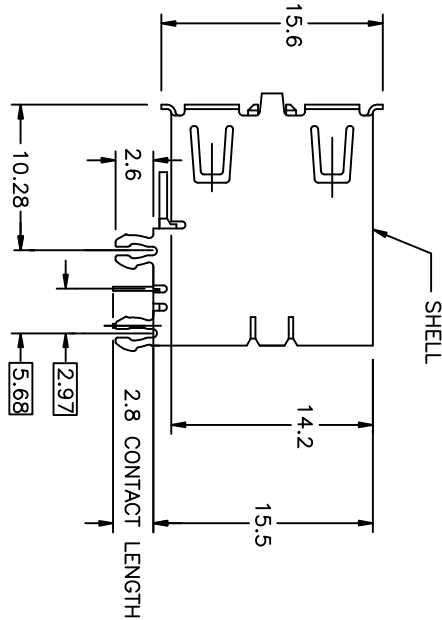
5. P/N SEE PRODUCT NUMBER CODE.  
 ( TO BE CONTINUED)

mat'l. code	NOTE 1 & 2		tolerances unless otherwise specified		CUSTOMER COPY	FCI	www.fciconnect.com
itr	ecn no.	dr	date	linear	X ±.30	projection	title
AC	N05-0088	PH	05/09/05		.XX ±.20		UNIV. SERIAL BUS
AD	N05-0106	PH	04/13/05		.XXX ±.10		DOUBLE DECK RECEPTACLE
AE	N06-0101	HB	04/13/06	angles	0° ±.3°		product family
AF	N06-0133	HB	05/17/06	dr			USB
AA	T04-0206	WL	05/13/04	engr		mm	size dwg no
AB	N04-0086	PH	11/09/04	chr		2:1	72309
sheet	revision	AF	AA	Y	AE		code
index	sheet	1	2	3	4		sheet
							1 of 4

code 22526



ASSEMBLY WITHOUT BACK SHIELD  
 72309-XX3XX SHOWN



- (CONTINUED)
- FOR LEAD FREE P/N, A LEAD FREE LABEL WILL APPEAR AT PACKING.
  - FOR LEAD FREE P/N, THE HOUSING WILL WITHSTAND EXPOSURE TO 260°C PEAK TEMPERATURE FOR 40 SECONDS IN A CONVECTION, INFRARED OR VAPOR PHASE REFLUX OVEN.
  - FOR LEAD FREE P/N, THE PRODUCT MEET EUROPEAN UNION DIRECTIVES AND OTHER COUNTRY REGULATION AS DESCRIBED IN GS-22-008

form no. 7530-001-103

1 | 2

1 | 2

3 |

4

mat'l. code		tolerances unless otherwise specified		CUSTOMER COPY		FCJ		www.fcjconnect.com	
itr	ecn no	dr	date	linear	projection	title	UNIV. SERIAL BUS	product family	code
AA				.XX ±.20 .XXX ±.10	mm	DOUBLE DECK RECEPTACLE	USB	72309	sheet 2 of 4
angles		dr		engr		chr		appxl	
0° ±.5°		PETER PAM 12/10/97		R Y LIU 12/10/97		R Y LIU 12/10/97		JENN TSAO 12/10/97	
sheet index		revision sheet		sheet index		sheet index		sheet index	

3 |

code 22526

4

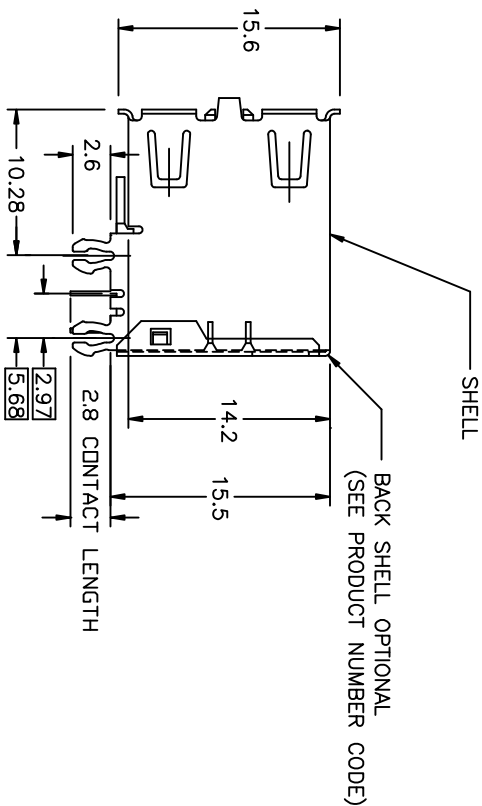
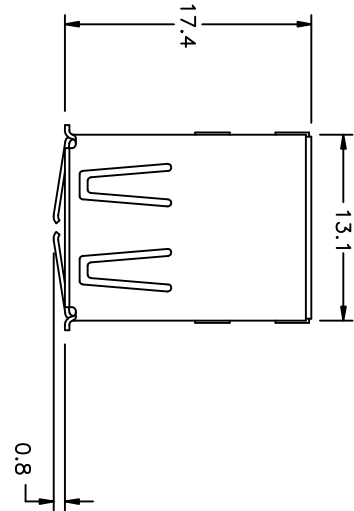
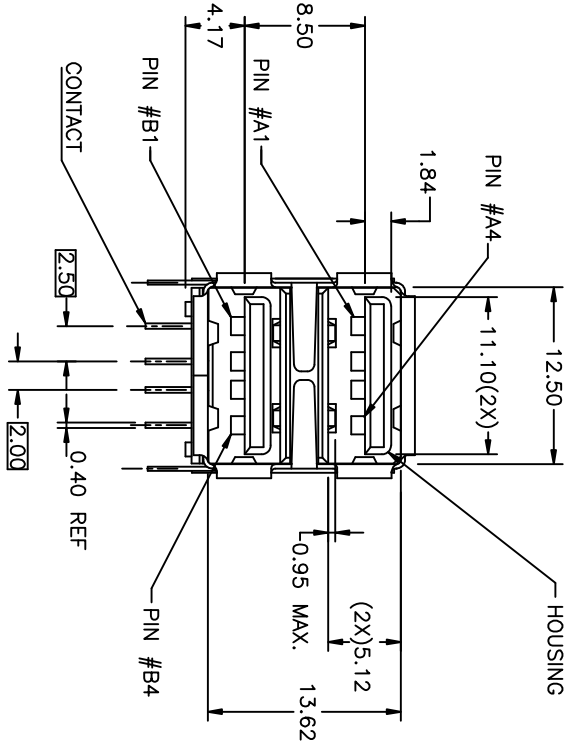


form no. 7530-001-103

1 | 2

3 |

4



ASSEMBLY WITH BACK SHIELD  
 72309 - XX4XX SHOWN

mat'l. code		dr		date		tolerances unless otherwise specified		CUSTOMER COPY		FCJ		title		product family		code	
itr	ecn no					linear	.X ±.30	projection		UNIV. SERIAL BUS	USB		DOUBLE DECK RECEPTACLE	size	dwg no		sheet
Y						angles	.XX ±.20	mm						A4	72309		3 of
						dr	0° ±.5°										
						engr	PETER PAM 12/01/97										
						chr	R Y LIU 12/10/97										
						appr	JENN TSAO 12/10/97										
sheet index	revision sheet																

code 22526



PRODUCT NUMBER CODE

72309 - X X X X X P S L F

BASE PRODUCT NUMBER

- HOUSING COLOR + SHELL PLATING OPTIONS -
- 0 - WHITE + NICKEL & TIN LEAD PLATING
  - 1 - BLACK + NICKEL & TIN LEAD PLATING
  - 2 - WHITE + NICKEL PLATING ONLY
  - 3 - BLACK + NICKEL PLATING ONLY
  - 4 - WHITE + NICKEL PLATING ONLY + LCP HSG
  - 5 - BLACK + NICKEL PLATING ONLY + LCP HSG
  - 6 - BLACK + NICKEL & TIN LEAD PLATING + LCP HSG
  - 7 - BLACK + NICKEL & BRIGHT TIN PLATING
  - 8 - WHITE + NICKEL & BRIGHT TIN PLATING
  - 9 - BLACK + NICKEL & BRIGHT TIN PLATING + LCP HSG

SHELL PLATING OPTION

- 0 - BARREL-PLATING
- 1 - PRE-PLATING

SHELL OPTIONS

- 1 - NO BACK SHIELD, NO ARMS, FRONT GROUNDING ARMS
- 2 - BACK SHIELD, NO FRONT GROUNDING ARMS
- 3 - NO BACK SHIELD, FRONT GROUNDING ARMS
- 4 - BACK SHIELD, FRONT GROUNDING ARMS

TERMINAL PLATING OPTION

- 0 - 50u" Ni UNDERPLATE
- 1 - 30u" GXT CONTACT AREA
- 2 - 100u" TIN/LEAD TAIL AREA
- 3 - 50u" Ni UNDERPLATE
- 4 - 30u" GOLD CONTACT AREA
- 5 - 100u" MATTE TIN TAIL AREA
- 6 - 50u" Ni UNDERPLATE
- 7 - 30u" GOLD CONTACT AREA
- 8 - 100u" MATTE TIN TAIL AREA
- 9 - 50u" Ni UNDERPLATE
- 10 - 30u" GXT CONTACT AREA
- 11 - 100u" MATTE TIN TAIL AREA

PACKAGING OPTIONS

- B - TUBES
- R - TAPE & REEL

WITH DATE CODE

ONLY FOR PANASONIC

LEAD FREE MARK

LEAD FREE CONVERSION RULES -  
 HOUSING COLOR AND SHELL PLATING OPTION: 0 TO 8, 1 TO 7, 6 TO 9  
 TERMINAL PLATING OPTION: 0 TO 4, 2 TO 3

NOTE:

AVAILABLE P/N'S IN FCI NOW FOLLOWED:

- 72309-0010X/8014XLF
- 72309-0012X/8013XLF
- 72309-0020X/8024XLF
- 72309-0022X/8023XLF
- 72309-0030X/8034XLF
- 72309-0032X/8033XLF
- 72309-0040X/8044XLF
- 72309-0042X/8043XLF
- 72309-1010X/7014XLF
- 72309-1012X/7013XLF
- 72309-1020X/7024XLF
- 72309-1022X/7023XLF
- 72309-1030X/7034XLF
- 72309-1032X/7033XLF
- 72309-1040X/7044XLF
- 72309-1042X/7043XLF
- 72309-0110X/8114XLF
- 72309-0112X/8113XLF
- 72309-0120X/8124XLF
- 72309-0122X/8123XLF
- 72309-0130X/8134XLF
- 72309-0132X/8133XLF
- 72309-0140X/8144XLF
- 72309-0142X/8143XLF
- 72309-1110X/7114XLF
- 72309-1112X/7113XLF
- 72309-1120X/7124XLF
- 72309-1122X/7123XLF
- 72309-1130X/7134XLF
- 72309-1132X/7133XLF
- 72309-1140X/7144XLF
- 72309-1142X/7143XLF

form no. 7530-001-103

1 | 2

1 | 2

3 |

4

mat'l. code	NOTE 1 & 2	dr	date	tolerances unless otherwise specified	projection	title	product family	code
AE				linear	mm	DOUBLE DECK RECEPTACLE	USB	
				angles				
				dr				
				engr				
				chr				
				oppl				
sheet	revision							
index	sheet							

3 |

code 22526

4