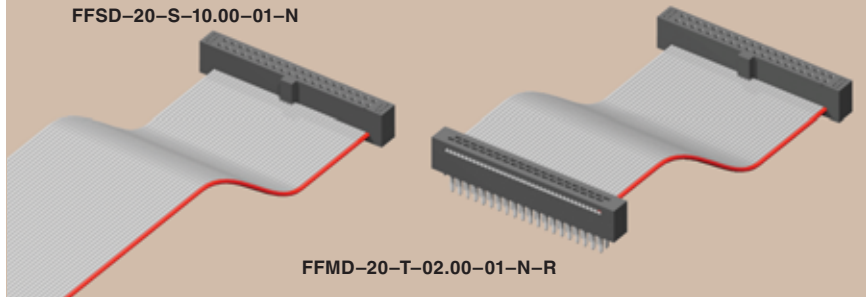




FFSD-20-S-10.00-01-N



FFMD-20-T-02.00-01-N-R

# .050" (1,27mm) CABLE STRIPS FFSD, FFMD SERIES

## SPECIFICATIONS

**FFSD Mates with:**  
FTS, FTSH, EHF,  
SHF, ESHF

For complete specifications  
see [www.samtec.com?FFSD](http://www.samtec.com?FFSD)

### FFSD

**Insulator Material:** PBT  
**Contact:** BeCu  
**Plating:** 10µ" (0,25µm) Au over 50µ" (1,27µm) Ni on contact area; Sn over 50µ" (1,27µm) Ni on balance  
**Wire:** 30 AWG  
**Current Rating:** 0.5A  
**Operating Temp Range:** -40°C to +105°C  
**Lead Size Accepted:** (0,41mm) .016" SQ  
**Contact Resistance:** 10 mΩ maximum  
**Insertion Depth:** (2,64mm) .104" to (3,17mm) .125"  
**Insertion Force:** (Single contact only) 5oz (1,39N) avg.  
**Withdrawal Force:** (Single contact only) 3oz (0,83N) avg.  
**RoHS Compliant:** Yes



**Note:** This Series is non-standard, non-returnable.

## SPECIFICATIONS

**Mates with:**  
FLE\*, SFMC\*

For complete specifications  
see [www.samtec.com?FFMD](http://www.samtec.com?FFMD)

### FFMD

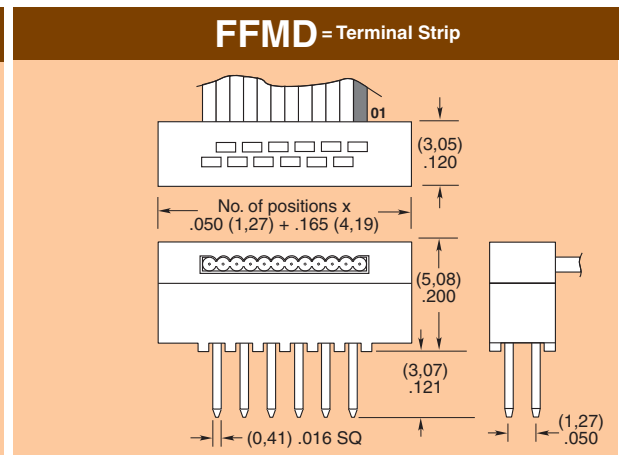
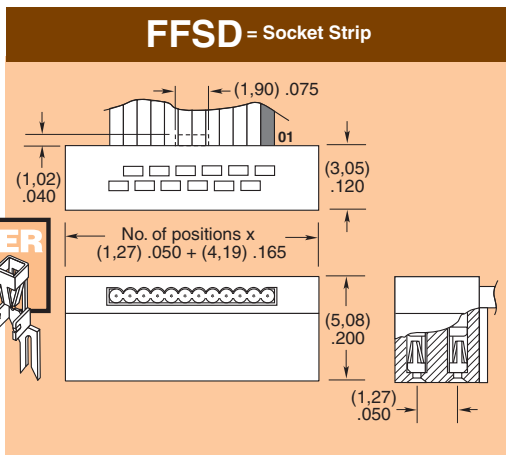
**Insulator Material:** Black Glass Filled Polyester  
**Terminal:** BeCu  
**Plating:** Sn over 50µ" (1,27µm) Ni  
**Wire:** 30 AWG  
**Current Rating:** 0.5A  
**Operating Temp Range:** -40°C to +105°C  
**RoHS Compliant:** Yes



**\*Note:** Standard FFMD callout will not mate with FLE, SFMC. Must use gold plated callouts. See drawing on web.

**Note:** This Series is non-standard, non-returnable.

TYPE STRIP	NO. PINS PER ROW	END OPTION	OVERALL LENGTH	01	OPTION	OTHER OPTION
	-05, -08 -10, -13, -17, -20, -25 (Call for other sizes)		- "XX.XX" = Assembled Length <small>Assembled Length in INCHES (±.130") 2 inches minimum</small>			-N = Notch Polarization (FFSD only)
		-S = Single End	-D = Double End	-T = Transfer End (FFMD only)		Leave blank for -S and -D End Options. For -T End Option Specify "-N" (Socket has notch polarization) (FFMD only)
		-RW = Reverse Wiring	-D "XX" = Daisy Chain	-R = Reverse	-O = Outside Reverse	-SR = Strain Relief
		Blue or black wire opposite position #1.	2" min. "XX" ± 1/8" 4" minimum	Requires -DXX 3	Requires -DXX 3	No. of positions x (1,27) .050 + (8,00) .315
				-M = Middle Reverse		Not available with -S, -O, -M, -R or -DXX
						<b>RUGGEDIZED</b> SAMTEC



Due to technical progress, all designs, specifications and components are subject to change without notice.

[WWW.SAMTEC.COM](http://WWW.SAMTEC.COM)

SAMTEC USA • Tel: 1-800-SAMTEC-9 or 812-944-6733 • Fax: 812-948-5047  
 SAMTEC GERMANY • Tel: +49 (0) 89 / 89460-0 • Fax: +49 (0) 89 / 89460-299  
 SAMTEC ASIA PACIFIC • Tel: 65 6745-5955 • Fax: 65 6841-1502  
 SAMTEC HONG KONG • Tel: 852-2600-4850 • Fax: 852-2600-4841  
 SAMTEC SILICON VALLEY • Tel: 408-395-5900 • Fax: 408-395-1520  
 SAMTEC FRANCE • Tel: 33 01 60 95 06 60 • Fax: 33 01 60 95 06 61  
 SAMTEC ISRAEL • Tel: 972-3-7526600 • Fax: 972-3-7526690  
 SAMTEC CHINA • Tel: 86-21-61103766 • Fax: 86-21-61103765  
 SAMTEC SOUTH AFRICA • Tel: 27 11 452 8112 • Fax: 27 86 6714432  
 SAMTEC UK • Tel: 44 01236 739292 • Fax: 44 01236 727113  
 SAMTEC ITALY • Tel: 39 039 6890337 • Fax: 39 039 6890315  
 SAMTEC NORDIC/BALTIC • Tel: +46-84477280 • Fax: +46-87420413  
 SAMTEC INDIA • Tel: +91-80-3272 1612 • Fax: +91-80-4152 8187  
 SAMTEC TAIWAN • Tel: 886-2-2735-6109 • Fax: 886-2-2735-5036  
 SAMTEC ANZ • Tel: 613 9512 7747 • Fax: 613 9512 7745