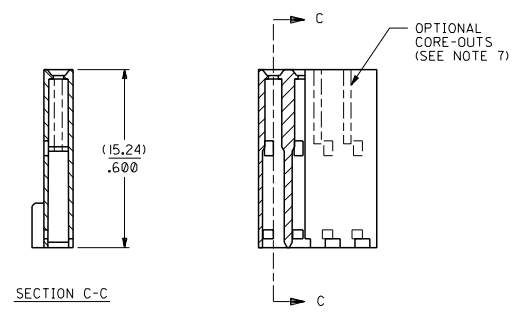
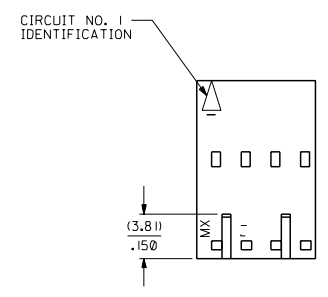
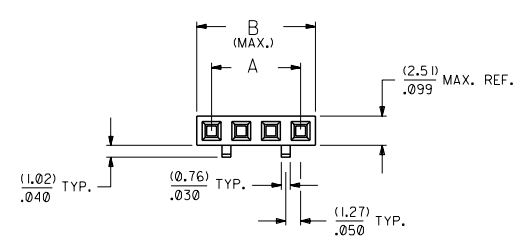


13 12 11 10 9 8 7 6 70066 4 3 2 1

- NOTES:**
- 1) MATERIAL: G.F. POLYESTER
 - 2) HOUSING TO BE USED WITH TERMINAL PT. NO. 70058-****
 - 3) SEE CHART FOR CIRCUIT SIZES.
 - 4) TO BE USED WITH (0.64)/.025 SQ. OR RD. PINS.
 - 5) PARTS STACKABLE END TO END ON (2.54)/.100 CENTERS.
 - 6) REFER TO PRODUCT SPECIFICATION NO. : P.S.-70058
 - 7) PARTS MAY OR MAY NOT BE SUPPLIED WITH EXTERIOR CORE-OUT CONFIGURATION, SEE DWG. SD-70066-**** FOR OPTIONAL HOUSING DETAILS.
 - 8) PACKAGE PER PK-70066-100.

OPTION "D"



| CKT. SIZE | EDP. NO. | ENG. NO. | A | B |
|-----------|------------|------------|------------------|------------------|
| 2 | 50-57-9302 | 70066-0106 | (2.54) .100 | (5.05) .199 |
| 3 | 50-57-9303 | 70066-0107 | (5.08) .200 | (7.53) .299 |
| 4 | 50-57-9304 | 70066-0108 | (7.62) .300 | (10.13) .399 |
| 5 | 50-57-9305 | 70066-0109 | (10.16) .400 | (12.67) .499 |
| 6 | 50-57-9306 | 70066-0110 | (12.70) .500 | (15.21) .599 |
| 7 | 50-57-9307 | 70066-0111 | (15.24) .600 | (17.75) .699 |
| 8 | 50-57-9308 | 70066-0112 | (17.78) .700 | (20.29) .799 |
| 9 | 50-57-9309 | 70066-0113 | (20.32) .800 | (22.83) .899 |
| 10 | 50-57-9310 | 70066-0114 | (22.86) .900 | (25.37) .999 |
| 11 | 50-57-9311 | 70066-0115 | (25.40) 1.000 | (27.91) 1.099 |
| 12 | 50-57-9312 | 70066-0116 | (27.94) 1.100 | (30.45) 1.199 |
| 13 | 50-57-9313 | 70066-0117 | (30.48) 1.200 | (32.99) 1.299 |
| 14 | 50-57-9314 | 70066-0118 | (33.02) 1.300 | (35.53) 1.399 |
| 15 | 50-57-9315 | 70066-0119 | (35.56) 1.400 | (38.07) 1.499 |
| 16 | 50-57-9316 | 70066-0120 | (38.10) 1.500 | (40.61) 1.599 |
| 17 | 50-57-9317 | 70066-0121 | (40.64) 1.600 | (43.15) 1.699 |
| 18 | 50-57-9318 | 70066-0122 | (43.18) 1.700 | (45.69) 1.799 |
| 19 | 50-57-9319 | 70066-0123 | (45.72) 1.800 | (48.23) 1.899 |
| 20 | 50-57-9320 | 70066-0124 | (48.26) 1.900 | (50.77) 1.999 |
| 21 | 50-57-9321 | 70066-0125 | (50.80) 2.000 | (53.31) 2.099 |
| 22 | 50-57-9322 | 70066-0126 | (53.34) 2.100 | (55.85) 2.199 |
| 23 | 50-57-9323 | 70066-0127 | (55.88) 2.200 | (58.39) 2.299 |
| 24 | 50-57-9324 | 70066-0128 | (58.42) 2.300 | (60.93) 2.399 |
| 25 | 50-57-9325 | 70066-0129 | (60.96) 2.400 | (63.47) 2.499 |

| | | | | | | | | | | | | | | | |
|--|--|---------------------------------------|--|------------------------------------|--|--|--|---|--|--|--|--|--|---|--|
| REVISIONS LTR. REVISIONS LTR. REVISIONS | | E REVISOR U10967 8-8-91 MJM/MGB | | D REVISOR U80051 3-27-89 MGB | | C REDRAWN ON CAD ECP * 9120 5/5/86 WZ | | F ADD PKG NOTE ECP U80051 3-27-89 MGB | | DIMENSIONS SHOWN IN METRIC INCH UNLESS OTHERWISE SPECIFIED TOLERANCES ANGULAR 1/2° | | TITLE HOUSING CONNECTOR (2.54)/.100 GRID STACKABLE SINGLE ROW | | MFG. SH. REV. | |
| | | | | | | | | | | INCH METRIC ±.010 --- ±.014 ±.025 --- ±.035 | | REVISIONS ONLY ON CAD SYSTEM | | | |
| | | | | | | | | | | DRAFT WHERE APPLICABLE MUST REMAIN WITHIN DIMENSIONS | | MOLEX INCORPORATED U.S.A. | | SHEET NO. I DATE 03/28/86 | |
| | | | | | | | | | | FILE NAME 700660106 | | PART NO. SD-70066-0106-0129 | | THIS DRAWING CONTAINS INFORMATION THAT IS PROPRIETARY TO MOLEX INC. AND SHOULD NOT BE USED WITHOUT WRITTEN PERMISSION. | |
| | | | | | | | | | | DRWG. NO. RS APP'D. RL SCALE 4:1 | | DRWG. NO. I DATE 03/28/86 | | FILE NO. DA TITLE | |

13 12 11 10 9 8 7 6 5 4 3 2 1