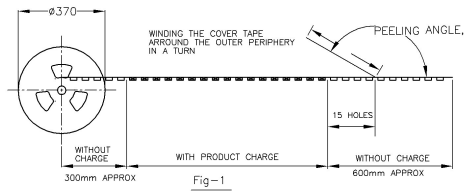
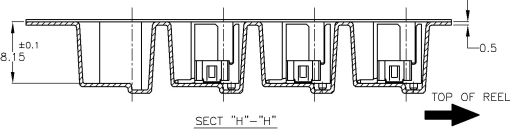
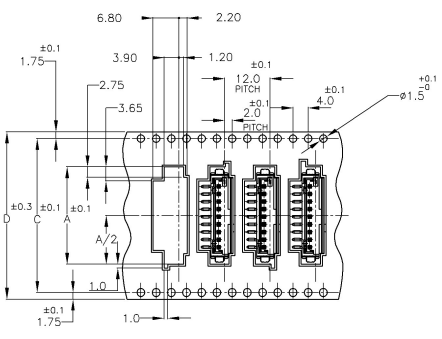
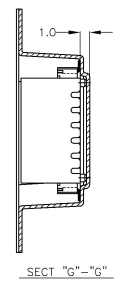
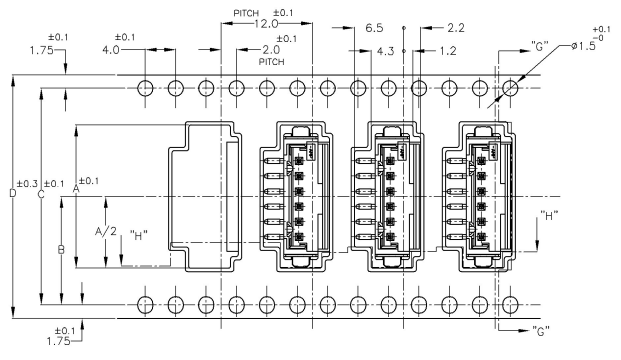


THIS DRAWING IS UNPUBLISHED. RELEASED FOR PUBLICATION
 © COPYRIGHT BY TYCO ELECTRONICS CORPORATION. ALL RIGHTS RESERVED.

LOC	DIST	REVISIONS					
ES	00	P	LTR	DESCRIPTION	DATE	DMN	APVD
		B	REVISED	ECR-06-012605	25MAR06	C.Z	S.Y

(AS SHOWN : -6)



	44.0	40.5	20.25	25.6	9	2-292174-9	
	44.0	40.4	20.2	22.9	8	2-292174-8	
	32.0	28.4	14.2	20.9	7	2-292174-7	
	32.0	28.4	14.2	18.9	6	2-292174-6	
	32.0	28.4	14.2	16.9	5	2-292174-5	
	32.0	28.4	14.2	14.9	4	2-292174-4	
	32.0	28.4	14.2	12.9	3	2-292174-3	
WITH	32.0	28.4	14.2	10.9	700	2-292174-2	
BLACK	44.0	40.5	20.25	25.6	9	292174-9	
	44.0	40.4	20.2	22.9	8	292174-8	
	32.0	28.4	14.2	20.9	7	292174-7	
	32.0	28.4	14.2	18.9	6	292174-6	
	32.0	28.4	14.2	16.9	5	292174-5	
	32.0	28.4	14.2	14.9	4	292174-4	
	32.0	28.4	14.2	12.9	3	292174-3	
NATURAL	44.0	40.5	20.25	25.6	9	292174-9	
	44.0	40.4	20.2	22.9	8	292174-8	
	32.0	28.4	14.2	20.9	7	292174-7	
	32.0	28.4	14.2	18.9	6	292174-6	
	32.0	28.4	14.2	16.9	5	292174-5	
	32.0	28.4	14.2	14.9	4	292174-4	
	32.0	28.4	14.2	12.9	3	292174-3	
WITH	32.0	28.4	14.2	10.9	700	292174-2	
COLOR PLATE	D	c	B	A	9P	POS	TAPING P/N

- NOTES:
 1. PEELING RESISTANCE: 0.196N(20gf)-0.686N(70gf)
 PEELING SPEED: 300mm/min

TOLERANCE UNLESS OTHERWISE SPECIFIED
 10 > * : ±0.2
 30 > * > 10 : ±0.25
 100 > * > 30 : ±0.3
 ANGLE : ±3°

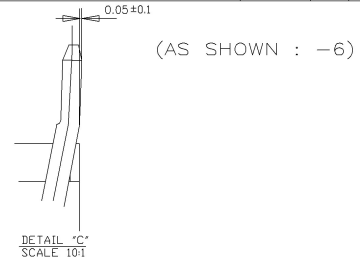
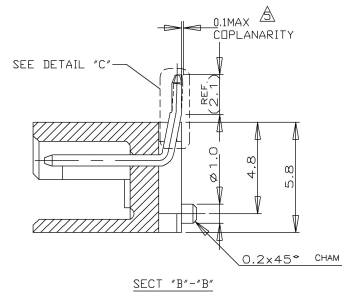
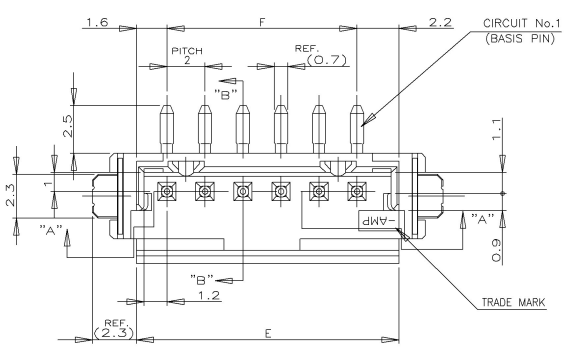
THIS DRAWING IS A CONTROLLED DOCUMENT.

DIMENSIONS: MM	TOLERANCES UNLESS OTHERWISE SPECIFIED:	0 PLC ±	1 PLC ±	2 PLC ±	3 PLC ±	4 PLC ±	ANGLES ±
MATERIAL	FINISH	DWN J.JIANG 23JAN03 CHK S.YAO 23JAN03 APVD T.SAKAI 23JAN03 PRODUCT SPEC APPLICATION SPEC WEIGHT CUSTOMER DRAWING					

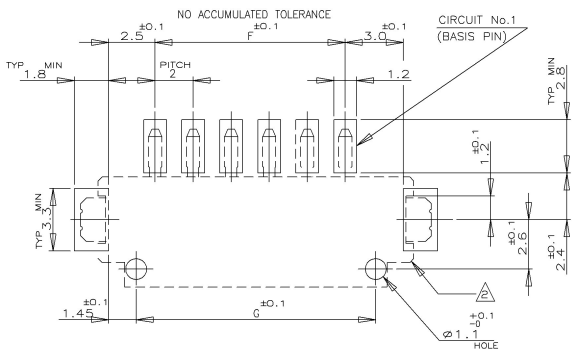
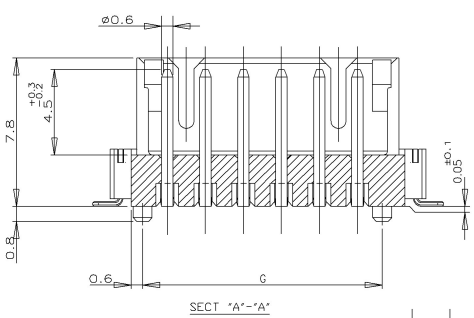
Tyco Electronics Corporation
 Shanghai, P.R.China, 200233
 ON TAPING (EMBOSS)
 AMP CT CONNECTOR POST HEADER ASS'Y
 (BOX-V SMT W/BOSS & TAIL)
 SIZE: A3 CAGE CODE: 00779 DRAWING NO: C=292174
 RESTRICTED TO: -
 SCALE: 1:1 SHEET 1 OF 2 REV B

THIS DRAWING IS UNPUBLISHED. RELEASED FOR PUBLICATION
 © COPYRIGHT BY TYCO ELECTRONICS CORPORATION. ALL RIGHTS RESERVED.

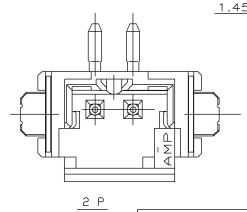
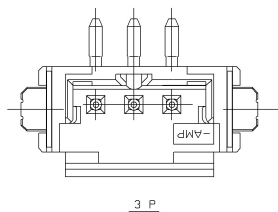
LOC	DIST	REVISIONS					
ES	00	P	LTR	DESCRIPTION	DATE	DMN	APVD
		-		SHEET 1/2			



- NOTES:
- MATERIAL:HSG-6T PAG.F.30(XUL94V-0)
 COLOR:BLACK OR NATURAL
 POST:TIN BRASS
 TAIL:TIN BRASS
 - OCCUPANT AREA ON PC BOARD
 - PRODUCT SPEC :108-60016
 - TO BE MEASURED WITH CONNECTOR PLACED ON HORIZONTAL DATUM SURFACE,FLOAT OF SOLDER TINE AND TAIL FROM DATUM SURFACE IS 0.1mm MAX



⑧					
18.6	16.0	19.8	9	2-292174-9	2921749
16.6	14.0	17.8	8	2-8	-8
14.6	12.0	15.8	7	2-7	-7
12.6	10.0	13.8	6	2-6	-6
10.6	8.0	11.8	5	2-5	-5
8.6	6.0	9.8	4	2-4	-4
6.6	4.0	7.8	3	2-3	-3
4.6	2.0	5.8	2	2-2	-2
G	F	E	Pos.	2-292174-2	292174-2
				BLACK	NATURAL
				P/N	



TOLERANCES UNLESS OTHERWISE SPECIFIED:
 10X ±0.2
 30X>10 ±0.25
 100X>30 ±0.3
 ANGEL ±3°

THIS DRAWING IS A CONTROLLED DOCUMENT.

DIMENSIONS: MM	TOLERANCES UNLESS OTHERWISE SPECIFIED:	0 PLC ±	1 PLC ±	2 PLC ±	3 PLC ±	4 PLC ±	ANGLES ±
MATERIAL: SEE NOTE	FINISH: SEE NOTE	PRODUCT SPEC: SEE NOTE APPLICATION SPEC: SEE NOTE WEIGHT: - CUSTOMER DRAWING: -					

DWN: -
 CHK: -
 APVD: -
 NAME: **tyco Electronics**
 Tyco Electronics Corporation
 Shanghai, P.R.China,200233
 SMT TYPE POST HDR ASSY(V)
 WITH BOSS & WITH TAIL TYPE
 AMP CT CONN. 2 mm PITCH
 SIZE: A3 CAGE CODE: 00779 DRAWING NO: 292174
 SCALE: 5:1 SHEET 2 OF 2 REV B

AMP 1470-19 REV 31MAR2000