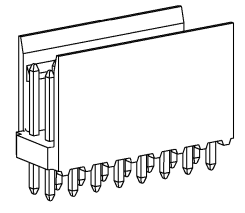
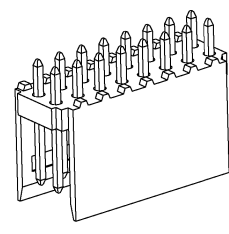
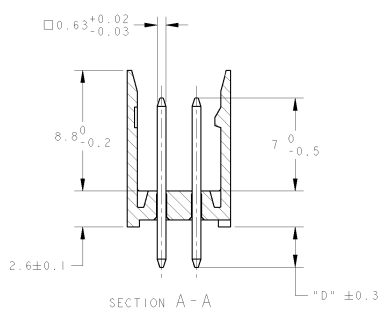
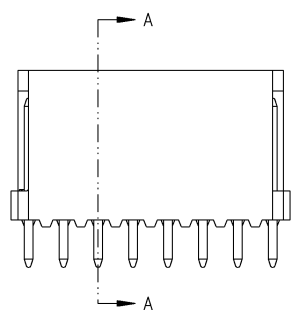
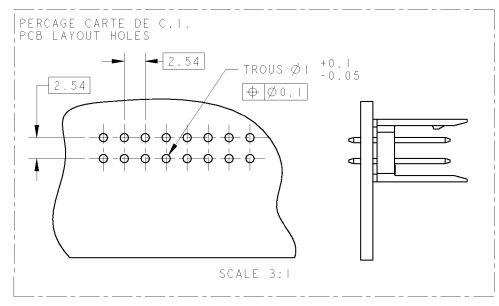
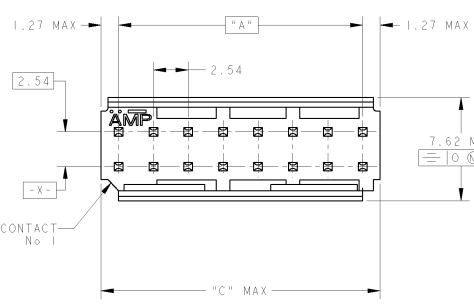


THIS DRAWING IS UNCLASSIFIED  
 RELEASED FOR PUBLICATION  
 DATE 11-18-2010 BY TICO ELECTRONICS CORPORATION. ALL RIGHTS RESERVED.  
 (C) COPYRIGHT 2010

REV. NO.	DATE	DESCRIPTION	BY	CHKD
7		CLARIFIE NOTE 9	J.D	J.P



SCALE 4:1



C	A	Nb DE POS	PART NUMBER
50.80	48.26	2x 20	2-281739-0
45.72	43.18	2x 18	1-281739-8 *
43.18	40.64	2x 17	1-281739-7 *
38.10	35.56	2x 15	1-281739-5 *
33.02	30.48	2x 13	1-281739-3
30.48	27.94	2x 12	1-281739-2 *
25.40	22.86	2x 10	1-281739-0 *
20.32	17.78	2x 8	0-281739-8 *
15.24	12.70	2x 6	0-281739-6 *
12.70	10.16	2x 5	0-281739-5 *
10.16	7.62	2x 4	0-281739-4 *
7.62	5.08	2x 3	0-281739-3 *
5.08	2.54	2x 2	0-281739-2

- NOTES:
1. CES EMBASES SONT PREVUES POUR ETRE ACCOUPLEES AVEC LES FICHES "HE1402" DOUBLE RANGEE.  
(These headers are designed to be mated with "HE1402" connectors double row)
  2. LES REFERENCES SUIVIES D'UN \* SONT LES VERSIONS NORMALISEES SELON LA NORME CEI 603-8  
(The parts numbers followed by \* are covered by the international standard IEC 603-8)
  3. REVETEMENT DES CONTACTS: ETAIN PUR SUR NICKEL  
(Contacts plating: lead free tin over nickel)
  4. MATIERE PLASTIQUE: PBT CHARGE VERRE, UL-94V0  
(Plastic material: glassfilled PBT, UL-94V0)  
Matiere des contacts: BRONZE PHOSPHOREUX  
(Contacts material: phosphor bronze)

DIMENSIONS: mm TOLERANCES NON SPECIFIEES: 0.10 mm 0.25 mm 0.50 mm 1.00 mm 1.50 mm 2.00 mm ANGLES: 45°		DATE: 22 NOV 2000 CORRIGE: 22 NOV 2000 DETRAIT: 22 NOV 2000	AMP DE FRANCE 95301 PONTOISE HEADERS HE1402, DOUBLE ROW, STRAIGHT
MATERIAUX: PBT FINISSEMENT: BRONZE PHOSPHOREUX		APPLICATION SPEC: APPLICATION SPEC: APPLICATION	DRAWING NO: 281739 SHEET: 5 OF 5 SCALE: 1:1

AMP 1471-B REV 2000000  
 P:ENGINEER DRAWING