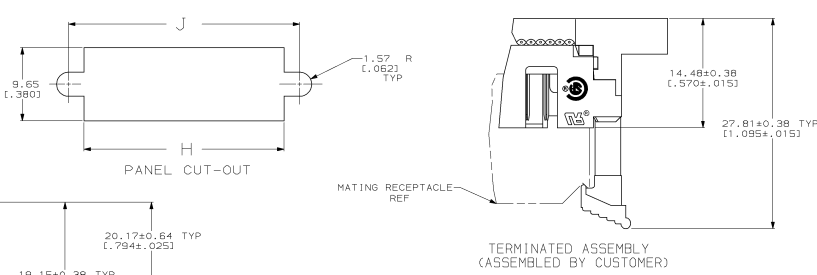
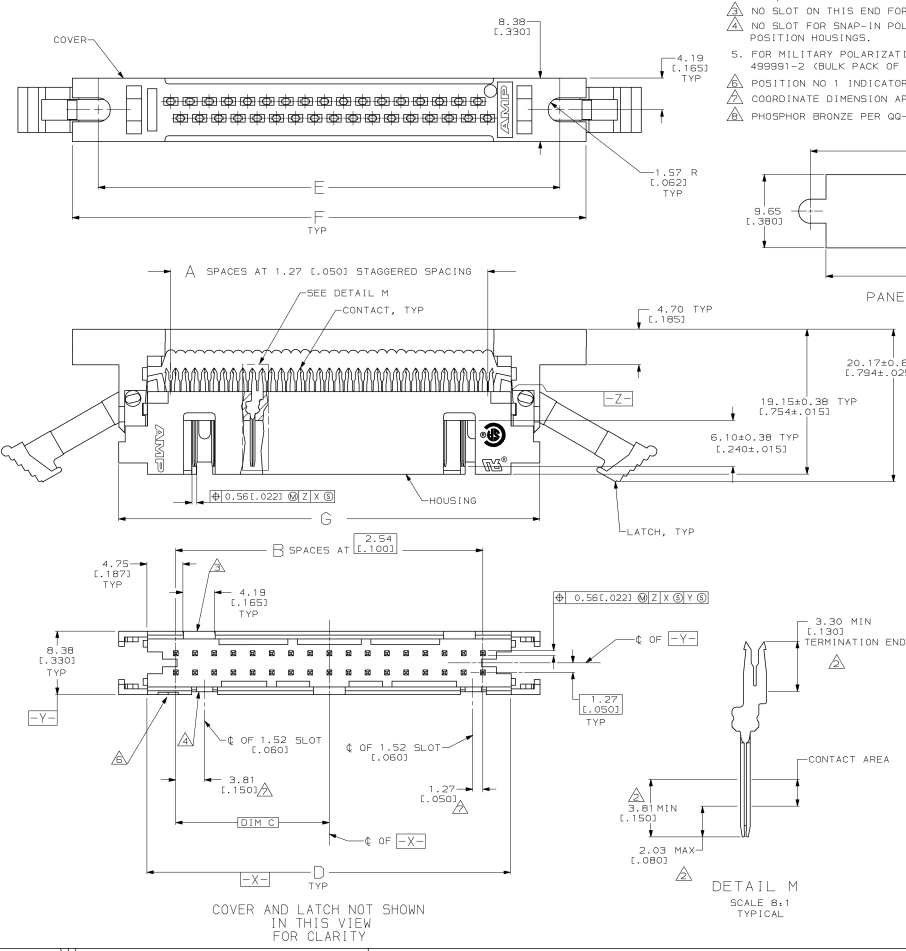


- ▲ FLAME RETARDANT 94V-0 RATED THERMOPLASTIC, BLACK.
- ▲ $2.54\mu\text{m}$ [0.00100] MIN BRIGHT TIN-LEAD ON TERMINATION END, $0.76\mu\text{m}$ [0.00030] MIN GOLD ON CONTACT AREA, ALL OVER
- ▲ $1.27\mu\text{m}$ [0.00050] MIN NICKEL.
- ▲ NO SLOT ON THIS END FOR 10 AND 14 POSITION HOUSINGS.
- ▲ NO SLOT FOR SNAP-IN POLARIZER ON THIS END FOR 10 AND 14 POSITION HOUSINGS.
- 5. FOR MILITARY POLARIZATION, ORDER SNAP-IN POLARIZER 499991-2 (BULK PACK OF 50).
- ▲ POSITION NO 1 INDICATOR.
- ▲ COORDINATE DIMENSION APPLIES FROM CENTER OF ACTUAL FEATURE.
- ▲ PHOSPHOR BRONZE PER QQ-B-750.

REV	DATE	DESCRIPTION	BY	CHK	APPD
0		RELEASE PER NFR 3030 WAS 90-S131-19			
A		REV PER ECN 604933			
B		REV PER EC 0020-53-94			
C		REV PER EC 0020-1023-95			



99.16 (3.904)	95.05 (3.742)	93.76 (3.692)	106.07 (4.176)	99.16 (3.904)	86.21 (3.394)	39.37 (1.550)	31	63	64	1-111506-3
94.08 (3.704)	89.97 (3.542)	88.70 (3.492)	100.99 (3.976)	94.08 (3.704)	81.13 (3.194)	36.83 (1.450)	29	59	60	1-111506-2
81.38 (3.204)	77.27 (3.042)	68.38 (2.692)	88.29 (3.476)	81.38 (3.204)	68.43 (2.694)	30.48 (1.200)	24	49	50	1-111506-1
73.76 (2.904)	69.65 (2.742)	68.38 (2.692)	80.67 (3.176)	73.76 (2.904)	60.81 (2.394)	26.67 (1.050)	21	43	44	1-111506-0
68.68 (2.704)	64.57 (2.542)	63.30 (2.492)	75.59 (2.976)	68.68 (2.704)	55.73 (2.194)	24.13 (0.950)	19	39	40	111506-8
61.06 (2.404)	56.95 (2.242)	55.68 (2.192)	67.97 (2.676)	61.06 (2.404)	48.11 (1.894)	20.32 (0.800)	16	33	34	111506-8
55.98 (2.204)	51.87 (2.042)	50.60 (1.992)	62.69 (2.476)	55.98 (2.204)	43.03 (1.694)	17.78 (0.700)	14	29	30	111506-7
50.90 (2.004)	46.79 (1.842)	45.52 (1.792)	57.81 (2.276)	50.90 (2.004)	37.95 (1.494)	15.24 (0.600)	12	25	26	111506-6
48.36 (1.904)	44.25 (1.742)	42.98 (1.692)	55.27 (2.176)	48.36 (1.904)	35.41 (1.394)	13.97 (0.550)	11	23	24	111506-5
43.28 (1.704)	39.17 (1.542)	37.90 (1.492)	50.18 (1.976)	43.28 (1.704)	30.33 (1.194)	11.43 (0.450)	9	19	20	111506-4
38.20 (1.504)	34.09 (1.342)	32.82 (1.292)	45.11 (1.776)	38.20 (1.504)	25.25 (0.994)	8.89 (0.350)	7	15	16	111506-3
35.66 (1.404)	31.55 (1.242)	30.28 (1.192)	42.57 (1.676)	35.66 (1.404)	22.71 (0.894)	7.62 (0.300)	6	13	14	111506-2
30.58 (1.204)	26.47 (1.042)	25.20 (0.992)	37.49 (1.476)	30.58 (1.204)	17.63 (0.694)	5.08 (0.200)	4	9	10	111506-1

J	H	G	F	E	D	C	B	A	NO OF POSN	PART NUMBER

DO NOT SCALE PRINT. UNLESS SPECIFIED DIMENSIONS IN mm (INCHES) TOLERANCES ON 3 P.L.C. DEC 4 - INCHES
 DR 8-10-90 C. GEFMAN
 CHK 11-28-90 P. H. HEWNEY
 APPD 11-29-90 B. HOFFMAN
 MATERIAL 11-30-90 9
 MOLDED PARTS: ▲
 CONTACTS: ▲
 FINISH CONTACTS: ▲
 PRODUCT SPEC 10B-1336
 APPLICATION SPEC 114-7011
 WEIGHT

AMP INCORPORATED
 UNIVERSAL I/O PIN CONNECTOR, WITH SLOTTED MOUNTING EARS, WITH STRAIN RELIEF LATCHES, AMP-LATCH™
 NAME: UNIVERSAL I/O PIN CONNECTOR, WITH SLOTTED MOUNTING EARS, WITH STRAIN RELIEF LATCHES, AMP-LATCH™
 SIZE: D
 PAGE CODE: 00779
 DRAWING NO: 111506
 SCALE: 4:1
 SHEET: 1 OF 1