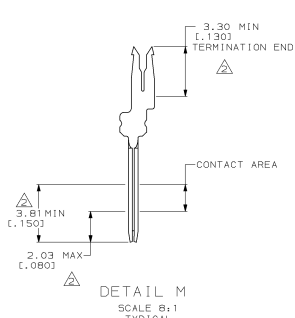
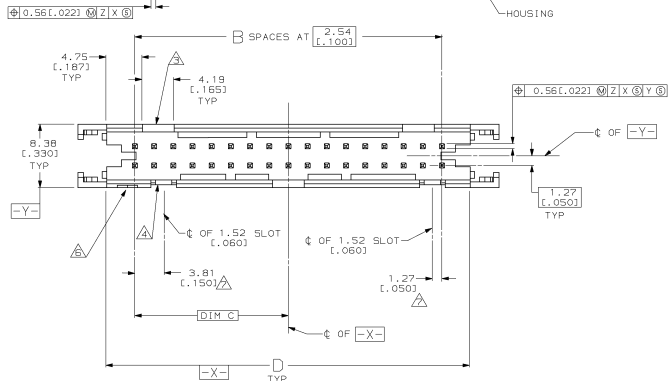
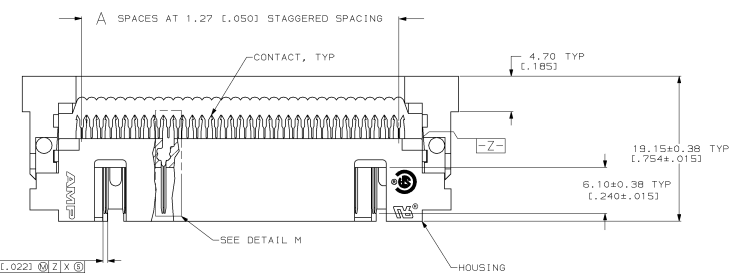
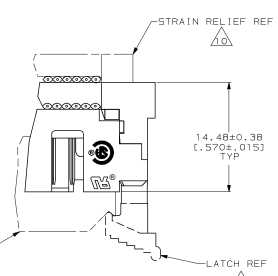
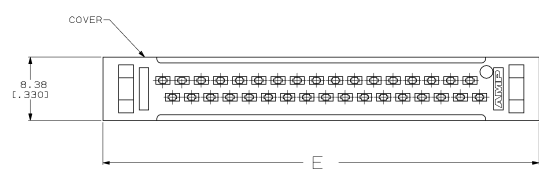


DRAWING MADE IN THIRD ANGLE PROJECTION
 THIS DRAWING IS UNPUBLISHED. RELEASED FOR PUBLICATION
 © COPYRIGHT 19 BY AMP INCORPORATED. ALL INTERNATIONAL RIGHTS RESERVED.

- ▲ FLAME RETARDANT 94V-0 RATED THERMOPLASTIC, BLACK.
- ▲ 2.54µm (.000100) MIN BRIGHT TIN-LEAD ON TERMINATION END, 0.75µm (.000030) MIN GOLD ON CONTACT AREA, ALL OVER
- ▲ 1.27µm (.000050) MIN NICKEL.
- ▲ NO SLOT ON THIS END FOR 10 AND 14 POSITION HOUSINGS.
- ▲ NO SLOT FOR SNAP-IN POLARIZER ON THIS END FOR 10 AND 14 POSITION HOUSINGS.
- 5. FOR MILITARY POLARIZATION, ORDER SNAP-IN POLARIZER 499991-2 (BULK PACK OF 50).
- ▲ POSITION NO 1 INDICATOR.
- ▲ COORDINATE DIMENSION APPLIES FROM CENTER OF ACTUAL FEATURE.
- ▲ FOR LATCHES ORDER 111451, 2 PER ASSEMBLY.
- ▲ PHOSPHOR BRONZE PER 00-B-750.
- ▲ STRAIN RELIEF 111547 MUST BE ORDERED SEPARATELY.

REV	DATE	DESCRIPTION	BY	APP
0	7-11-80	RLSE PER NPR 3143		FMT
A	11-18-86	REVISED PER ECN B04491		FMT
B	4-19-88	REV PER ECN R04633		FMT
C	02-20-94	REV PER EC 0020-53-94		DK
D	01-29-95	REV PER EC 0020-1023-95		KD



95.81 (3.772)	86.21 (3.394)	39.37 (1.550)	31	63	64	1-111446-3
89.59 (3.527)	81.13 (3.194)	36.83 (1.450)	29	59	60	1-111446-2
78.03 (3.072)	68.43 (2.694)	30.48 (1.200)	24	49	50	1-111446-1
70.41 (2.772)	60.81 (2.394)	26.67 (1.050)	21	43	44	1-111446-0
65.33 (2.572)	55.73 (2.194)	24.13 (.950)	19	39	40	111446-9
57.71 (2.272)	48.11 (1.894)	20.32 (.800)	16	33	34	111446-8
52.63 (2.072)	43.03 (1.694)	17.78 (.700)	14	29	30	111446-7
47.55 (1.872)	37.95 (1.494)	15.24 (.600)	12	25	26	111446-6
45.01 (1.772)	35.41 (1.394)	13.97 (.550)	11	23	24	111446-5
39.93 (1.572)	30.33 (1.194)	11.43 (.450)	9	19	20	111446-4
34.85 (1.372)	25.25 (.994)	8.89 (.350)	7	15	16	111446-3
32.31 (1.272)	22.71 (.894)	7.62 (.300)	6	13	14	111446-2
27.23 (1.072)	17.63 (.694)	5.08 (.200)	4	9	10	111446-1
						NO. OF POSN
						PART NUMBER

DO NOT SCALE PRINT. UNLESS SPECIFIED DIMENSIONS IN mm (INCHES) TOLERANCES IN MILLIMETERS	DR 7-11-80 H NOLL	AMP INCORPORATED Mfg. Div. Pa. 17108
MATERIAL HOUSING & COVER CONTACTS FINISH WEIGHT	DR 7-11-80 P. McNEELY APPR B-2-90 D. HOFFMAN PRODUCT SPEC 108-1336 APPLICATION SPEC 114-7011	
NAME: UNIV 1/0 PIN CONN, WITHOUT MOUNTING EARS, AMP-LATCH™		SIZE: D
CAGE CODE: 00779		DRAWING NO: 111446
SCALE: 4:1		SHEET: 1 OF 1

COVER NOT SHOWN IN THIS VIEW FOR CLARITY

CUSTOMER DRAWING