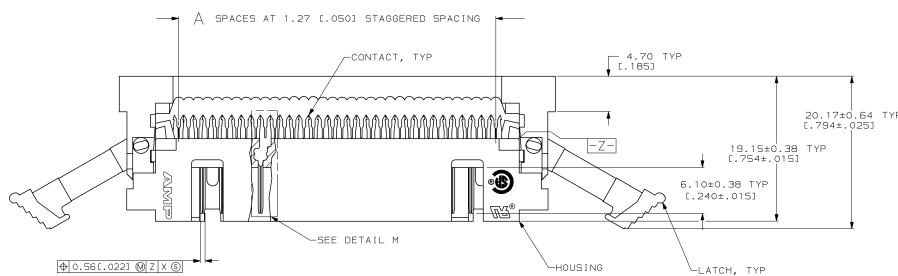
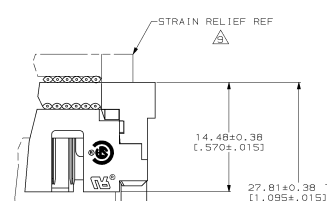
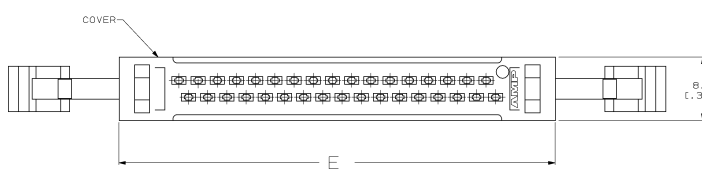
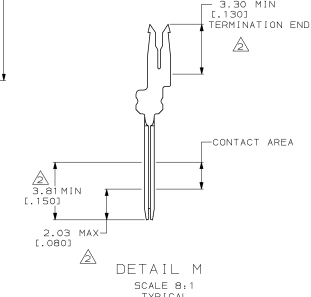


REVOLUTIONS			DATE	APP
	D	RLSE PER NFR 3028 WAS 90-S131-17	8-18-90	-
	A	REV PER ECN 604933	8-18-90	FHM
	B	REV PER EC 0020-53-94	8-18-90	DK
	C	REV PER EC 0020-1023-95	8-18-90	KD

- ⚠️ FLAME RETARDANT 94V-0 RATED THERMOPLASTIC, BLACK.
- ⚠️ 2.54µm [.000100] MIN BRIGHT TIN-LEAD ON TERMINATION END, 0.76µm [.000030] MIN GOLD ON CONTACT AREA, ALL OVER
- ⚠️ 1.27µm [.000050] MIN NICKEL.
- ⚠️ NO SLOT ON THIS END FOR 10 AND 14 POSITION HOUSINGS.
- ⚠️ NO SLOT FOR SNAP-IN POLARIZER ON THIS END FOR 10 AND 14 POSITION HOUSINGS.
- 5. FOR MILITARY POLARIZATION, ORDER SNAP-IN POLARIZER 499891-2 (BULK PACK OF 50).
- ⚠️ POSITION NO 1 INDICATOR.
- ⚠️ COORDINATE DIMENSION APPLIES FROM CENTER OF ACTUAL FEATURE.
- ⚠️ PHOSPHOR BRONZE PER QQ-B-750.
- ⚠️ STRAIN RELIEF 111547 MUST BE ORDERED SEPARATELY.

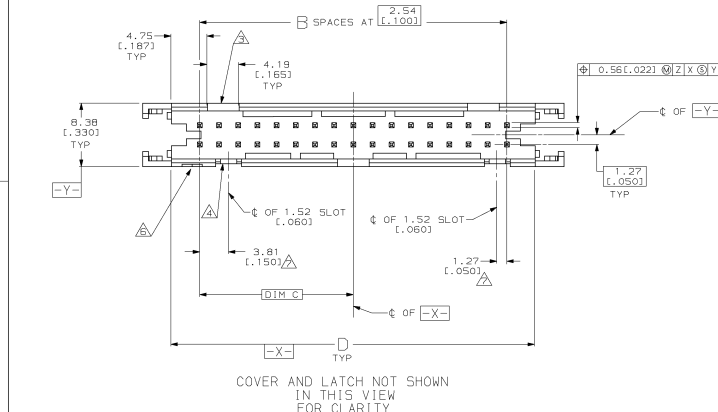


TERMINATED ASSEMBLY (ASSEMBLED BY CUSTOMER)



DETAIL M  
SCALE 8:1  
TYPICAL

95.81 [3.772]	86.21 [3.394]	39.37 [1.550]	31	63	64	1-111504-3
89.59 [3.527]	81.13 [3.194]	36.83 [1.450]	29	59	60	1-111504-2
78.03 [3.072]	68.43 [2.694]	30.48 [1.200]	24	49	50	1-111504-1
70.41 [2.772]	60.81 [2.394]	26.67 [1.050]	21	43	44	1-111504-0
65.33 [2.572]	55.73 [2.194]	24.13 [0.950]	19	39	40	111504-8
67.71 [2.672]	48.11 [1.894]	20.32 [0.800]	16	33	34	111504-8
52.63 [2.072]	43.03 [1.694]	17.78 [0.700]	14	29	30	111504-7
47.55 [1.872]	37.95 [1.494]	15.24 [0.600]	12	25	26	111504-6
45.01 [1.772]	35.41 [1.394]	13.97 [0.550]	11	23	24	111504-5
39.83 [1.572]	30.33 [1.194]	11.43 [0.450]	9	19	20	111504-4
34.65 [1.372]	25.25 [0.994]	8.89 [0.350]	7	15	16	111504-3
32.31 [1.272]	22.71 [0.894]	7.62 [0.300]	6	13	14	111504-2
27.23 [1.072]	17.63 [0.694]	5.08 [0.200]	4	9	10	111504-1
E	D	C	B	A	NO OF POSN	PART NUMBER



COVER AND LATCH NOT SHOWN IN THIS VIEW FOR CLARITY

DO NOT SCALE PRINT. UNLESS SPECIFIED DIMENSIONS IN mm (INCHES) TOLERANCES IN mm (INCHES) 2 PLG DEC ± 0.131 (0.005) 3 PLG DEC ± 0.254 (0.010) 4 PLG DEC ± 0.508 (0.020)	DR 8-18-90 C. GEFMAN CHK 11-28-90 P. M. HEENEY APPD 11-29-90 P. M. HEENEY APPD 11-30-90 B. HOFFMAN PRODUCT SPEC 108-1336	NAME UNIVERSAL I/O PIN CONNECTOR, WITHOUT MOUNTING EARS, WITH STRAIN RELIEF LATCHES, AMP-LATCH™ SIZE D PAGE CODE 00779 DRAWING NO 111504 SCALE 4:1 SHEET 1 OF 1
---	--	--