

注記 NOTES

- L 使用材料 MATERIAL
 ハウジング HOUSING: ポリアミド46, ガラス充填, UL94V-0 (白)
 POLYAMIDE46, GLASS FILLED, UL94V-0(WHITE)
 アクチュエータ ACTUATOR: ポリエチレンサルファイト, ガラス充填, UL94V-0 (茶)
 POLYPHENYLENE SULFIDE, GLASS FILLED, UL94V-0(BROWN)
 ターミナル TERMINAL: リン青銅 (t=0.2)
 PHOSPOR BRONZE
 銅ヒスマズメッキ TIN-BITHMUS LO MICROMETER MINIMUM
 ニッケル下地 NICKEL UNDER PLATING LO MICROMETER MINIMUM
 リン青銅 (t=0.2) PHOSPOR BRONZE
 銅メッキ TIN LO MICROMETER MINIMUM
 ニッケル下地 NICKEL UNDER PLATING LO MICROMETER MINIMUM
- 金具 FITTING NAIL: リン青銅 (t=0.2) PHOSPOR BRONZE
 銅メッキ TIN LO MICROMETER MINIMUM
 ニッケル下地 NICKEL UNDER PLATING LO MICROMETER MINIMUM
- △ パターンはくり止め用金具 FITTING NAIL FOR PREVENTION OF PEELING OF P.C.B. PATTERN.
 △ シルダール半田付け面のズレ量、及び金具半田付け面のズレ量は、基準面 Y に対し上下方向 0.05MAX、下方向 0.2MAX、とし、相互のパラッキ量は、0.1MAXとする。
 MISALIGNMENT OF SOLDER TAILS AND FITTING NAILS FROM Y UPPER DIRECTION 0.05 MAX., LOWER DIRECTION 0.2 MAX.
 MISALIGNMENT BETWEEN SOLDER TAILS AND FITTING NAILS : 0.1MAX.
 △ 接触部は必ずしも用金具 FITTING NAIL FOR PREVENTION OF PEELING OF P.C.B. PATTERN.
 △ 18種以上は2ヶ所、10~17種はハウジングセンター上に1ヶ所とする。
 18 CKTS & MORE THAN 18 CKTS PLACED 2 POINT.
 10~17 CKTS PLACED 1 POINT ON HOUSING CENTER.

19.6	15.5	15.3	14.5	52893-3095	52893-3019	30
18.6	14.5	14.3	13.5	-2895	-2819	28
17.6	13.5	13.3	12.5	-2695	-2619	26
16.6	12.5	12.3	11.5	-2495	-2419	24
15.6	11.5	11.3	10.5	-2295	-2219	22
15.1	11.0	10.8	10.0	-2195	-2119	21
14.6	10.5	10.3	9.5	-2095	-2019	20
14.1	10.0	9.8	9.0	-1995	-1919	19
13.6	9.5	9.3	8.5	-1895	-1819	18
13.1	9.0	8.8	8.0	-1795	-1719	17
12.6	8.5	8.3	7.5	-1695	-1619	16
12.1	8.0	7.8	7.0	-1595	-1519	15
11.6	7.5	7.3	6.5	-1495	-1419	14
11.1	7.0	6.8	6.0	-1395	-1319	13
10.6	6.5	6.3	5.5	-1295	-1219	12
10.1	6.0	5.8	5.0	-1195	-1119	11
9.6	5.5	5.3	4.5	-1095	-1019	10
8.6	4.5	4.3	3.5	52893-0895	52893-0819	8

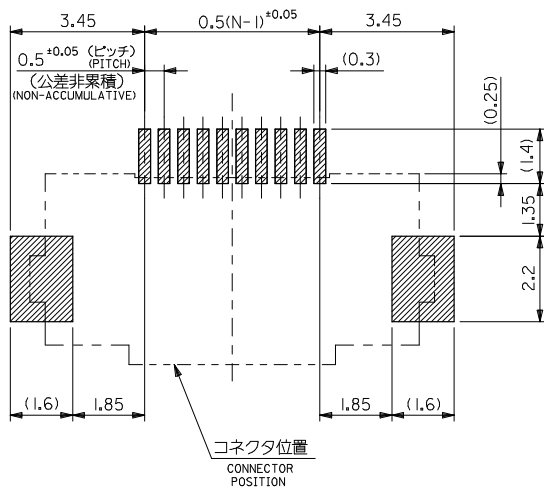
52893-**19 MODEL NO.

注記 NOTES

6. 本製品は 52893-***17 の鉛フリー品である。
 THIS PRODUCT IS LEAD FREE OF 52893-***17.

REVISED EC NO: J2008-4308 DRAWN BY: IDRW:MMBEI CHKD: THARYAMA APPR: NIKITA 2008/06/27 2008/06/30 2008/06/30	GENERAL TOLERANCES (UNLESS SPECIFIED)		DIMENSION STYLE MM ONLY	SCALE ---	DESIGN UNITS METRIC	THIRD ANGLE PROJECTION
	10 UNDER	±0.2	DRAWN BY M. NAGATA	DATE '04/01/09	TITLE 0.5 FPC CONN ASSY ZIF SMT RA BTM CONT E/O TYPE -LEAD FREE-	
	10 OVER 30 UNDER	±0.25	CHECKED BY K. TOJO	DATE '04/01/09	MOLEX INCORPORATED	
	30 OVER	±0.3	APPROVED BY M. SASAO	DATE '04/01/09	DOCUMENT NO. SD-52893-040	SHEET NO. 1 OF 2
REV	DESCRIPTION	ANGULAR ±3° DRAFT WHERE APPLICABLE MUST REMAIN WITHIN DIMENSIONS	MATERIAL NO. SEE TABLE	THIS DRAWING CONTAINS INFORMATION THAT IS PROPRIETARY TO MOLEX INCORPORATED AND SHOULD NOT BE USED WITHOUT WRITTEN PERMISSION		

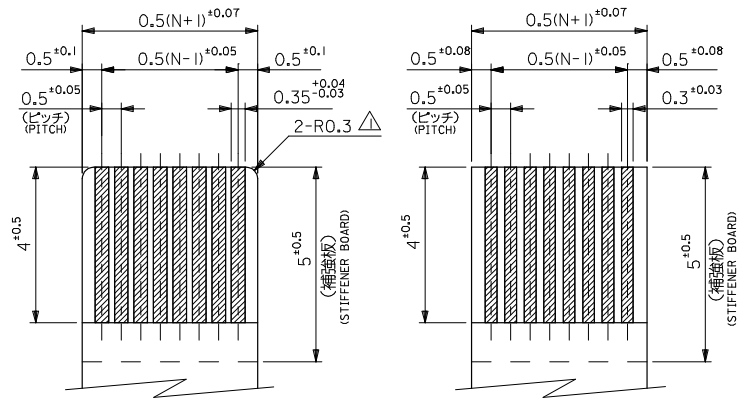
10 9 8 7 6 5 4 3 2 1



参考基板レイアウト
RECOMMENDED P.C. BOARD
PATTERN DIMENSION (REF.)
(マウント面)
(MOUNTING SIDE)

注記 NOTES

△ R0.3は、FPCの導体部にかからないこと。
R0.3 MUST NOT BE OVERLAPPED TO PATTERN OF FPC.



適合FPC推奨寸法
APPLICABLE FPC
RECOMMENDED DIMENSION
(仕上がり厚さ: 0.3±0.03)
(THICKNESS: 0.3±0.03)

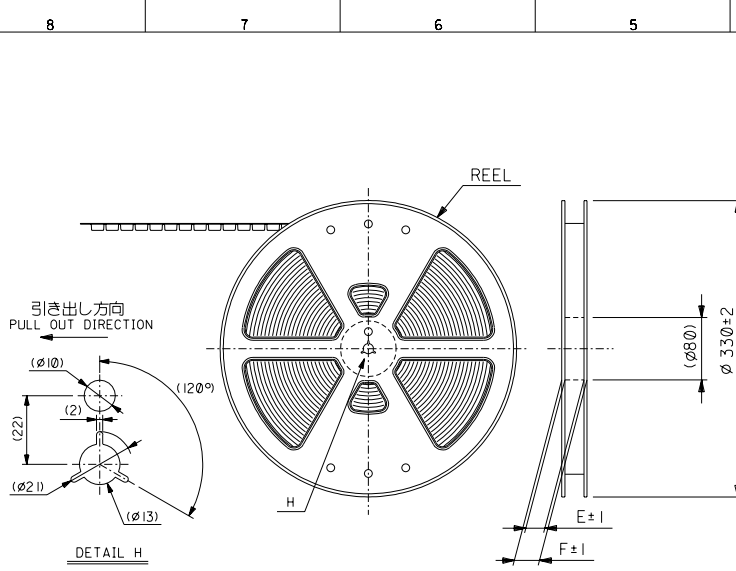
適合FFC推奨寸法
APPLICABLE FFC
RECOMMENDED DIMENSION
(仕上がり厚さ: 0.3±0.03)
(THICKNESS: 0.3±0.03)

FPCについて:
打抜き方向は導体側から補強板側を推奨致します。
補強フィルム材質はポリイミドを推奨致します。
接着剤は熱硬化接着剤を推奨致します。
ABOUT FPC:
RECOMMENDED PUNCHER DIRECTION: FROM CONDUCTOR SIDE TO STIFFENER BOARD SIDE.
RECOMMENDED MATERIAL:
STIFFENER FILM: POLYIMIDE
BONDING AGENT: THERMOSETTING BONDING AGENT

52893-**19 MODEL NO.

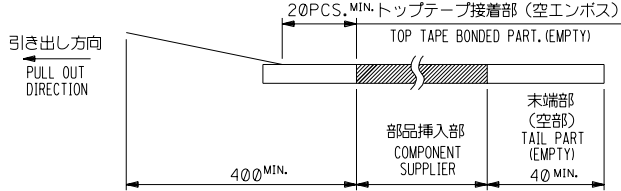
REVISED EC NO: J2008-4308 DRAWN BY: DRWNMBEL 2008/06/27 CHKD: THARYAMA 2008/06/30 APPR: NIKITA 2008/06/30	GENERAL TOLERANCES (UNLESS SPECIFIED)		DIMENSION STYLE MM ONLY		SCALE ---	DESIGN UNITS METRIC	THIRD ANGLE PROJECTION
	10 UNDER	±0.2	DRAWN BY M. NAGATA	DATE '04/01/09	TITLE 0.5 FPC CONN ASSY ZIF SMT RA BTM CONT E/O TYPE -LEAD FREE-		
	10 OVER 30 UNDER	±0.25	CHECKED BY K. TOJO	DATE '04/01/09	MOLEX INCORPORATED		
	30 OVER	±0.3	APPROVED BY M. SASAO	DATE '04/01/09	MATERIAL NO. SEE SHEET 1	DOCUMENT NO. SD-52893-040	SHEET NO. 2 OF 2
ANGULAR ±3°		DRAFT WHERE APPLICABLE MUST REMAIN WITHIN DIMENSIONS		THIS DRAWING CONTAINS INFORMATION THAT IS PROPRIETARY TO MOLEX INCORPORATED AND SHOULD NOT BE USED WITHOUT WRITTEN PERMISSION			

DWG. NO. SD-52893-041

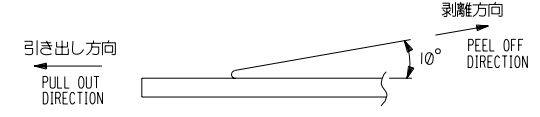


注記 NOTES

- 製品詳細寸法については図面 SD-52893-040 を参照下さい。
RE DETAILED DIMENSION, SEE SD-52893-040
- 梱包数量：1000個/リール
NUMBER OF CONNECTORS : 1000PCS/REEL
- リードテープ長さ LEAD TAPE LENGTH
20PCS. MIN. トップテープ接着部 (空エンボス)



- トップテープの剥離強度：0.1～1.3N/10～130gf (剥離方向は下図参照)
尚、本規格値は出荷時に適用。(但し、輸送時に剥離が発生しないこと。)
PEELING OFF FORCE OF TOP TAPE : 0.1～1.3N/10～130gf (PEELING DIRECTION AS SHOWN IN FOLLOWING FIG.)
THIS REQUIREMENT SHOULD BE APPLIED AT SHIPMENT.
PEEL OFF SHOULD NOT BE ALLOWED , DURING TRANSPORTATION.



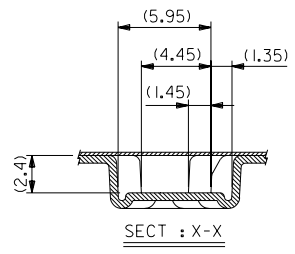
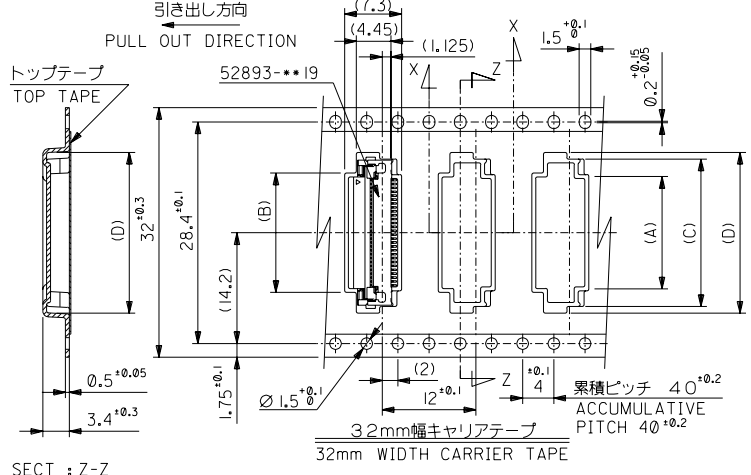
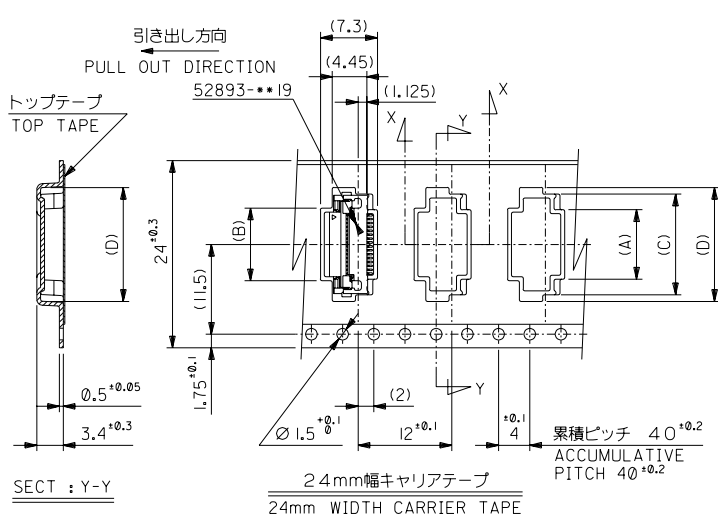
- 材料 キャリアテープ:ポリプロピレン (PP)
トップテープ: PET, PE, PEF
リール:ポリスチレン (PS) <リサイクル材を含む>

MATERIAL CARRIER TAPE:POLYPROPYLENE
TOP TAPE:PET,PE,PEF
REEL:POLYSTYRENE(PS)
<RECYCLE MATERIAL CONTAINED>

- 本製品は 52893-0090 の鉛フリー品である。
THIS PRODUCT IS LEAD FREE OF 52893-0090

DO NOT SCALE DRAWING	E834NO. DRWN: CHK: APPR:	E833NO. DRWN: CHK: APPR:	E832NO. DRWN: CHK: APPR:	REVISED	MATERIAL 材料	GENERAL TOLERANCES: (UNLESS SPECIFIED)	SCALE	MODEL NO.	52893-0095	DIMENSIONS:	SHT	REV
				E831NO. J2004-3551 DRWN: H. KAWABATA 04/04/07 CHK: K. TOJO 04/04/07 APPR: M. SASAO 04/04/07				注記参照 SEE NOTES	10 UNDER 未満	+0.2	DESIGN UNITS <input checked="" type="checkbox"/> mm <input type="checkbox"/> INCH	<input checked="" type="checkbox"/> mm <input type="checkbox"/> INCH
				RELEASED	FINISH 仕上げ	10 OVER 以上	30 UNDER 未満	CHECKED BY & DATE	K. TOJO 04/01/09	TITLE: 0.5 FPC Conn Assy ZIF SMT RA E0 Type Embstp pkg -LEAD FREE-		
			E830NO. J2004-1861 DRWN: M. NAGATA 04/01/09 CHK: K. TOJO 04/01/09 APPR: M. SASAO 04/01/09	注記参照 SEE NOTES				+0.25	APPROVED BY & DATE		M. SASAO 04/01/09	<input checked="" type="checkbox"/> mm <input type="checkbox"/> INCH
				DESCRIPTION	WIRE RANGE 適用電線範囲	ANGLE 角度	+3°	CAD FILENAME	SD-52893-041.S01	MATERIAL NO.	DRAWING NO.	SHEET NO.
				INS. RANGE 被覆外径	---			SEE CHART		SD-52893-041	SD-52893-041	1 OF 2
								DRAWING CONTAINS INFORMATION THAT IS PROPRIETARY TO MOLEX INCORPORATED AND SHOULD NOT BE USED WITHOUT WRITTEN PERMISSION.				SIZE B
												EN-02J(097) MXJ-54

DWG. NO. SD-52893-041



キャリアテープ幅 CARRIER TAPE WIDTH	F	E	(D)	(C)	(B)	(A)	MATERIAL NO.	種別 CIRCUIT
32	37.4	33.4	21.6	19.9	16.1	15.9	52893-3095	30
			20.6	18.9	15.1	14.9	-2895	28
			19.6	17.9	14.1	13.9	-2695	26
			18.6	16.9	13.1	12.9	-2495	24
			17.6	15.9	12.1	11.9	-2295	22
			17.1	15.4	11.6	11.4	-2195	21
			16.6	14.9	11.1	10.9	-2095	20
			16.1	14.4	10.6	10.4	-1995	19
			15.6	13.9	10.1	9.9	-1895	18
			15.1	13.4	9.6	9.4	-1795	17
24	29.4	25.4	14.6	12.9	9.1	8.9	-1695	16
			14.1	12.4	8.6	8.4	-1595	15
			13.6	11.9	8.1	7.9	-1495	14
			13.1	11.4	7.6	7.4	-1395	13
			12.6	10.9	7.1	6.9	-1295	12
			12.1	10.4	6.6	6.4	-1195	11
			11.6	9.9	6.1	5.9	-1095	10
			11.1	9.4	5.6	5.4	-995	9
			10.6	8.9	5.1	4.9	52893-0895	8

DO NOT SCALE DRAWING		REVISED		MATERIAL		GENERAL TOLERANCES:		SCALE		DESIGN UNITS		MODEL NO.		DIMENSIONS:		SHT		REV	
E88NO. J2004-3551		E88NO. J2004-1861		材料		(UNLESS SPECIFIED)		DRAWN BY & DATE		mm		52893-0995		mm		CAD		ON	
DRWN: H.KAWABATA '04/01/07		DRWN: M.NAGATA '04/01/09		SHEET 1 OF 2 参照		公差		M.NAGATA '04/01/09		mm		INCH		mm		ONLY		CAD ONLY	
CHK: K.TOJO '04/04/07		CHK: K.TOJO '04/01/09		SEE SHEET 1 OF 2				CHECKED BY & DATE		mm		INCH		mm		ONLY			
APPR: M.SASAO '04/04/07		APPR: M.SASAO '04/01/09						K.TOJO '04/01/09		mm		INCH		mm		ONLY			
APPR: M.SASAO '04/04/07		APPR: M.SASAO '04/01/09						APPROVED BY & DATE		mm		INCH		mm		ONLY			
APPR: M.SASAO '04/04/07		APPR: M.SASAO '04/01/09						M.SASAO '04/01/09		mm		INCH		mm		ONLY			
REVISED		RELEASED		FINISH		WIRE RANGE		TITLE:		mm		INCH		mm		ONLY			
E88NO. J2004-3551		E88NO. J2004-1861		仕上げ		適用電線範囲		0.5 FPC Conn Assy ZIF SMT		mm		INCH		mm		ONLY			
DRWN: H.KAWABATA '04/01/07		DRWN: M.NAGATA '04/01/09		—		—		RA E0 Type Embstp pkg		mm		INCH		mm		ONLY			
CHK: K.TOJO '04/04/07		CHK: K.TOJO '04/01/09		—		—		-LEAD FREE-		mm		INCH		mm		ONLY			
APPR: M.SASAO '04/04/07		APPR: M.SASAO '04/01/09		—		—		MOLEX INCORPORATED		mm		INCH		mm		ONLY			
APPR: M.SASAO '04/04/07		APPR: M.SASAO '04/01/09		—		—		SEE CHART		mm		INCH		mm		ONLY			
APPR: M.SASAO '04/04/07		APPR: M.SASAO '04/01/09		—		—		SD-52893-041.S02		mm		INCH		mm		ONLY			
APPR: M.SASAO '04/04/07		APPR: M.SASAO '04/01/09		—		—		DRAWING NO.		mm		INCH		mm		ONLY			
APPR: M.SASAO '04/04/07		APPR: M.SASAO '04/01/09		—		—		SD-52893-041		mm		INCH		mm		ONLY			
APPR: M.SASAO '04/04/07		APPR: M.SASAO '04/01/09		—		—		SHEET NO.		mm		INCH		mm		ONLY			
APPR: M.SASAO '04/04/07		APPR: M.SASAO '04/01/09		—		—		2 OF 2		mm		INCH		mm		ONLY			
APPR: M.SASAO '04/04/07		APPR: M.SASAO '04/01/09		—		—		SIZE		mm		INCH		mm		ONLY			
APPR: M.SASAO '04/04/07		APPR: M.SASAO '04/01/09		—		—		B		mm		INCH		mm		ONLY			
APPR: M.SASAO '04/04/07		APPR: M.SASAO '04/01/09		—		—		EN-02J(097) MXJ-54		mm		INCH		mm		ONLY			