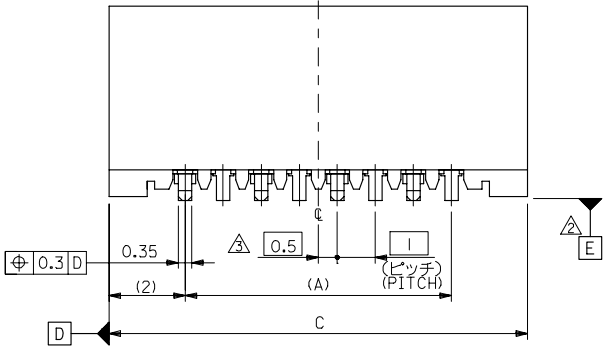
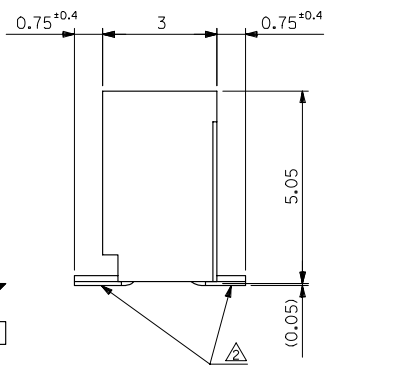
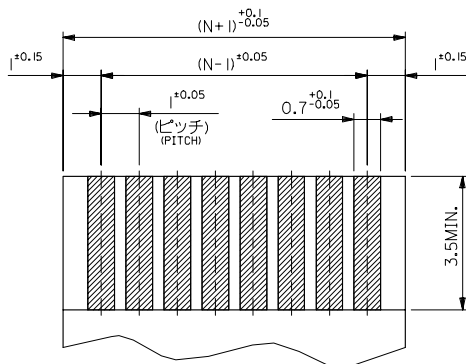


| | | | | |
|----|-------|----|------------|----|
| 33 | 31.05 | 29 | 52808-3019 | 30 |
| 32 | 30.05 | 28 | -2919 | 29 |
| 31 | 29.05 | 27 | -2819 | 28 |
| 30 | 28.05 | 26 | -2719 | 27 |
| 29 | 27.05 | 25 | -2619 | 26 |
| 28 | 26.05 | 24 | -2519 | 25 |
| 27 | 25.05 | 23 | -2419 | 24 |
| 26 | 24.05 | 22 | -2319 | 23 |
| 25 | 23.05 | 21 | -2219 | 22 |
| 24 | 22.05 | 20 | -2119 | 21 |
| 23 | 21.05 | 19 | -2019 | 20 |
| 22 | 20.05 | 18 | -1919 | 19 |
| 21 | 19.05 | 17 | -1819 | 18 |
| 20 | 18.05 | 16 | -1719 | 17 |
| 19 | 17.05 | 15 | -1619 | 16 |
| 18 | 16.05 | 14 | -1519 | 15 |
| 17 | 15.05 | 13 | -1419 | 14 |
| 16 | 14.05 | 12 | -1319 | 13 |
| 15 | 13.05 | 11 | -1219 | 12 |
| 14 | 12.05 | 10 | -1119 | 11 |
| 13 | 11.05 | 9 | -1019 | 10 |
| 12 | 10.05 | 8 | -0919 | 9 |
| 11 | 9.05 | 7 | -0819 | 8 |
| 10 | 8.05 | 6 | -0719 | 7 |
| 9 | 7.05 | 5 | -0619 | 6 |
| 8 | 6.05 | 4 | -0519 | 5 |
| 7 | 5.05 | 3 | 52808-0419 | 4 |

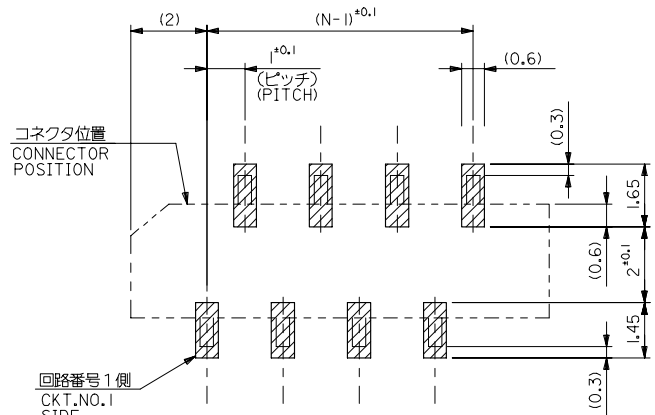


- 注記 NOTES:
1. 使用材料 MATERIAL
 ハウジング: PPS,UL94V-0 HOUSING :PPS,UL94V-0
 ターミナル: リン青銅 (t=0.25) TERMINAL :PHOSPHOR BRONZE
 メッキ: ニッケル下地鍍ビスマスメッキ PLATING :TIN-BISMUTH OVER NICKEL
 2. 基準面 [E] からのハンダテールの半田付け面のズレ量は、
 上方向に0.1MAX. 下方向0.15MAX. とする。
 MISALIGNMENT OF SOLDER TAIL FROM [E]
 : UPPER DIRECTION 0.1 MAX. , LOWER DIRECTION 0.15 MAX.
 3. 偶数極に適用。
 APPLY FOR EVEN CKT.
 4. 本製品は52808-***10の鉛フリー品である。
 THIS PRODUCT IS LEAD FREE OF 52808-***10

| | | | | | | | |
|--|---------------------------------------|---|----------------------------|------------------------------|--|---------------------------|---|
| REVISED EC NO. J2006-1497 DRAWN:MABE1 2005/11/04 CHKD:KTOYODA 2005/11/07 APPR:NIKIITA 2005/11/11 | GENERAL TOLERANCES (UNLESS SPECIFIED) | | DIMENSION STYLE MM ONLY | | SCALE --- DESIGN UNITS METRIC | THIRD ANGLE PROJECTION | TITLE 1.0 FFC CONN. NON ZIF SMT. ST. -LEAD FREE- |
| | 10 UNDER | ±0.2 | DRAWN BY M.NABE1 | DATE '04/02/19 | | | |
| | 10 OVER 30 UNDER | ±0.25 | CHECKED BY M.SASAO | DATE '04/02/19 | | | |
| | 30 OVER | ±0.3 | APPROVED BY M.SASAO | DATE '04/02/19 | | | |
| ANGULAR ±3 ° | | MATERIAL NO. SEE CHART | | DOCUMENT NO. SD-52808-027 | | SHEET NO. 1 OF 1 | |
| DRAFT WHERE APPLICABLE MUST REMAIN WITHIN DIMENSIONS | | SIZE A3 THIS DRAWING CONTAINS INFORMATION THAT IS PROPRIETARY TO MOLEX INCORPORATED AND SHOULD NOT BE USED WITHOUT WRITTEN PERMISSION | | | | | |



(仕上がり厚さ) 0.3^{+0.03}
THICKNESS
適合FPC推奨寸法
APPLICABLE FPC
RECOMMENDED DIMENSION.



参考基板レイアウト (マウント面)
RECOMMENDED P.C. BOARD
PATTERN DIMENSION. (REF.)
(MOUNTING AREA)

FPCについて:

打抜き方向は、導体側から補強板側を推奨いたします。
補強フィルム材質は、ポリイミドを推奨いたします。
接着剤は、熱硬化接着剤を推奨いたします。

ABOUT FPC:

RECOMMENDED PUNCHER DIRECTION: FROM CONDUCTOR SIDE TO STIFFENER BOARD SIDE.

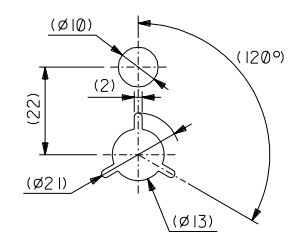
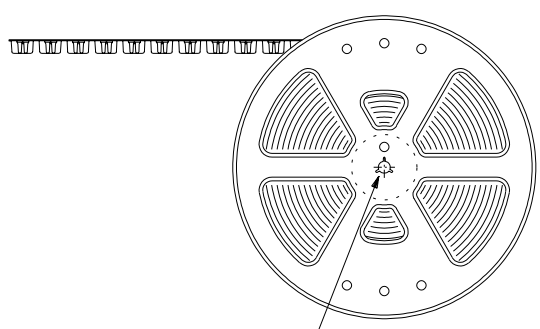
RECOMMENDED MATERIAL:

STIFFENER FILM: POLYIMIDE
BONDING AGENT: THERMOSETTING BONDING AGENT

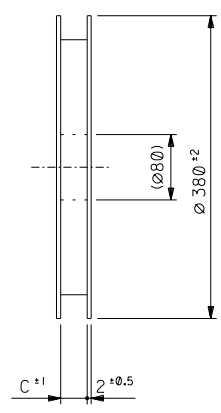
| GENERAL TOLERANCES (UNLESS SPECIFIED) | | DIMENSION STYLE MM ONLY | | SCALE --- | DESIGN UNITS METRIC | THIRD ANGLE PROJECTION |
|--|--------|----------------------------|-------------------|--|------------------------|---------------------------|
| 10 UNDER | ± 0.2 | DRAWN BY M. NABEI | DATE '04/02/19 | TITLE 1.0 FFC CONN. NON ZIF SMT. ST. -LEAD FREE- MOLEX INCORPORATED | | |
| 10 OVER 30 UNDER | ± 0.25 | CHECKED BY M. SASAO | DATE '04/02/19 | | | |
| 30 OVER | ± 0.3 | APPROVED BY M. SASAO | DATE '04/02/19 | | | |
| ANGULAR ± 3 ° | | MATERIAL NO. SEE CHART | | DOCUMENT NO. SD-52808-027 | SHEET NO. 2 OF 2 | |
| DRAFT WHERE APPLICABLE MUST REMAIN WITHIN DIMENSIONS | | SIZE A3 | | THIS DRAWING CONTAINS INFORMATION THAT IS PROPRIETARY TO MOLEX INCORPORATED AND SHOULD NOT BE USED WITHOUT WRITTEN PERMISSION | | |

8 7 6 5 4 3 2 1

引き出し方向
PULL OUT

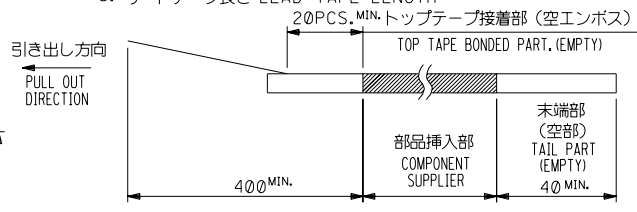


DETAIL "F"

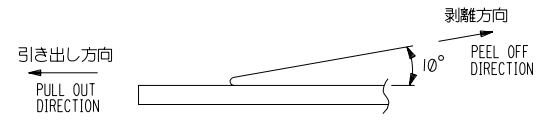


NOTES

- 製品詳細寸法については図面 SD-52808-027 を参照下さい。
RE DETAILED DIMENSION, SEE SD-52808-027
- 梱包数量：1000個/リール
NUMBER OF CONNECTORS：1000PCS/REEL
- リードテープ長さ LEAD TAPE LENGTH
20PCS. MIN. トップテープ接着部 (空インボス)



- トップテープの剥離強度：0.1 ~ 1.3N (10 ~ 130gf)
(剥離方向は下図参照)
尚、本規格値は出荷時に適用。(但し、輸送時に剥離が発生しないこと。)
PEELING OFF FORCE OF TOP TAPE：0.1 ~ 1.3N (10 ~ 130gf)
(PEELING DIRECTION AS SHOWN IN FOLLOWING FIG.)
THIS REQUIREMENT SHOULD BE APPLIED AT SHIPMENT.
PEEL OFF SHOULD NOT BE ALLOWED, DURING TRANSPORTATION.



- 材料 (MATERIAL)
キャリアテープ (CARRIER TAPE)：ポリプロピレン (POLYPROPYLENE)
トップテープ (TOP TAPE)：PET, PE, PEF
リール (REEL)：ポリスチレン (PS) <リサイクル材を含む>
POLYSTYREN(PS) <RECYCLE MATERIAL CONTAINED>
- 本製品は52808-**90の鉛フリー品である。
THIS PRODUCT IS LEAD FREE OF 52808-**90

52808-**70
MODEL NO.

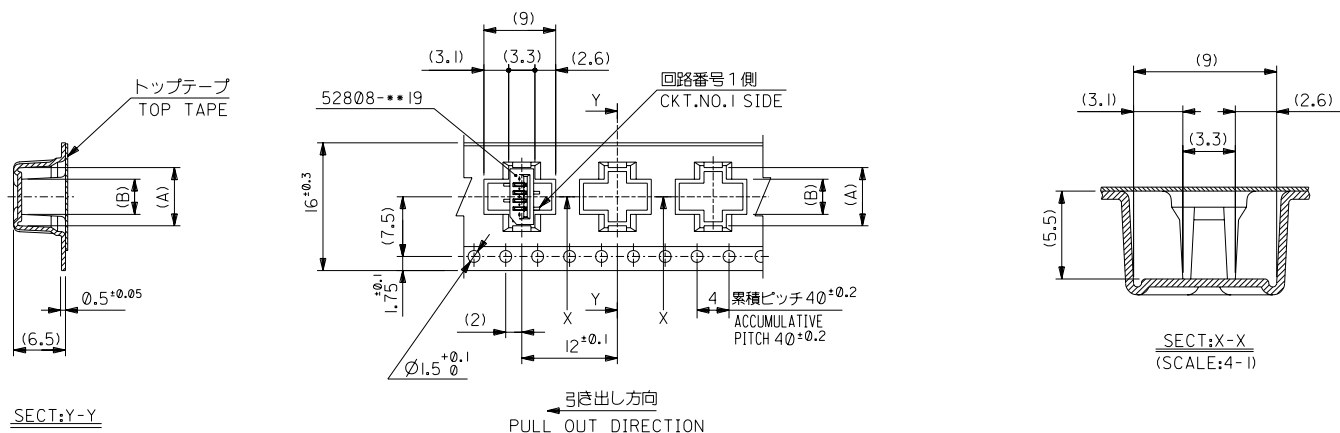
| | | | | | | | |
|-------------------------|--|-------|-----------------------|--|-------------------|--|--|
| 角度 ANGLE | | ±3° | 材料 MATERIAL | | 注記参照 SEE NOTES | molex MOLEX-JAPAN CO.,LTD. 日本モレックス株式会社 | |
| 30以上 OVER | | ±0.3 | 仕上げ FINISH | | — | REVISE ONLY ON CAD SYSTEM | |
| 10以上 未満 UNDER | | ±0.25 | 適用電線範囲 WIRE RANGE | | — | TITLE 名称 | |
| 10未満 UNDER | | ±0.2 | 被覆外径 INS. RANGE | | — | 1.0 FFC Conn NON ZIF SMT ST Embstp Pkg -LEAD FREE- | |
| 一般公差 GENERAL TOLERANCES | | | DRAWN BY 04/02/19 | | CHK'D BY 04/02/19 | DWG. NO. (SHEET 1 OF 6) REV | |
| | | | M.N. M.SABE | | M.SASAO | SD-52808-028 0 | |
| | | | DATE 04/02/19 | | SCALE — | | |
| | | | DR. DATE | | | | |
| | | | CHK. DATE | | | | |
| | | | REVISION RECORD | | | | |
| | | | RELEASED (J2004-2528) | | | | |

THIS DRAWING CONTAINS INFORMATION THAT IS PROPRIETARY TO MOLEX/JAPAN AND SHOULD NOT BE USED WITHOUT WRITTEN PERMISSION
本図面は日本モレックス(株)の所有する情報を含むもので、当社の許可なく複製を禁止する。
EN-01C(032)MXJ-32

8 7 6 5 4 3 2 1

DWC. NO. SD-52808-028

DIMENSIONS IN METRIC DO NOT SCALE DRAWING



16mm幅キャリアテープ
16mm WIDTH CARRIER TAPE

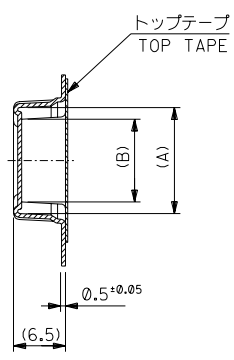
| | | | | | | |
|----------------------------|--------------------------------|--|-------------|------|--|--|
| 52808-***70 | 16 | 17.5 | 5.4 | 8.3 | 52808-0570 | 5 |
| MODEL NO. | キャリアテープ幅 CARRIER TAPE WIDTH | C | (B) | (A) | MATERIAL NO. | 極数 CKT. |
| | 材料 MATERIAL | SHEET 1 OF 6 参照 REFER TO SHEET 1 OF 6 | | | | MOLEX-JAPAN CO.,LTD. 日本モレックス株式会社 |
| | 仕上げ FINISH | — | | | | |
| | 適用電線範囲 WIRE RANGE | — | | | | TITLE 名称 |
| | 被覆外径 INS. RANGE | — | | | | 1.0 FFC Conn NON ZIF SMT ST Embstp Pkg -LEAD FREE- |
| 角度 ANGLE | 30°以上 OVER | ±0.2 | | | | |
| | 10°以上 OVER | 未過 UNDER | ±0.25 | | | |
| | 10°未満 UNDER | 未過 UNDER | ±0.2 | | | |
| 一般公差 GENERAL TOLERANCES | 記号 LTR | 公差内容 REVISION RECORD | DR. CHK. | DATE | DRAWN BY M.NABEI APP'D BY M.SASAO | CHK'D BY M.SASAO 尺度 SCALE |

THIS DRAWING CONTAINS INFORMATION THAT IS PROPRIETARY TO MOLEX/JAPAN AND SHOULD NOT BE USED WITHOUT WRITTEN PERMISSION
本図面は日本モレックス(株)の所有する権利を含むもので、当社の許可なく複製を禁止する。
EN-01C(032)MXJ-32

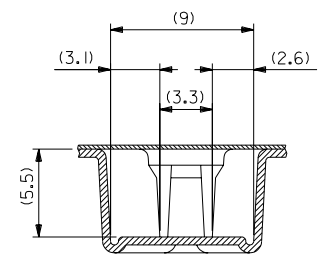
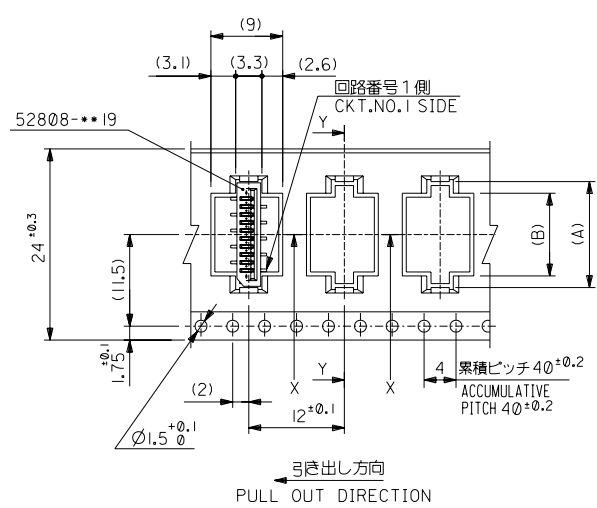
DWC. NO. SD-52808-028

DIMENSIONS IN METRIC DO NOT SCALE DRAWING

8 7 6 5 4 3 2 1



SECT:Y-Y



SECT:X-X
(SCALE:4-1)

24mm幅キャリアテープ
24mm WIDTH CARRIER TAPE

| | |
|-------------|-----------|
| 52808-***70 | MODEL NO. |
|-------------|-----------|

| | | | | | | |
|---|------|--|------|------------|--------------|------------|
| 24 | 25.5 | 10.4 | 13.3 | 52808-1070 | 10 | |
| | | 9.4 | 12.3 | 52808-0970 | 9 | |
| | | 8.4 | 11.3 | 52808-0870 | 8 | |
| | | 7.4 | 10.3 | 52808-0770 | 7 | |
| | | 6.4 | 9.3 | 52808-0670 | 6 | |
| キャリアテープ幅 CARRIER TAPE WIDTH | | C | (B) | (A) | MATERIAL NO. | 極数 CKT. |
| 材料 MATERIAL SHEET 1 OF 6 参照 REFER TO SHEET 1 OF 6 | | MOLEX MOLEX-JAPAN CO.,LTD. 日本モレックス株式会社 | | | | |
| 仕上げ FINISH | | REVISE ONLY ON CAD SYSTEM | | | | |
| 適用電線範囲 WIRE RANGE | | TITLE 名称 I,0 FFC Conn NON ZIF SMT ST Embstp Pkg -LEAD FREE- | | | | |
| 被覆外径 INS. RANGE | | DWG. NO. (SHEET 3 OF 6) REV SD-52808-028 0 | | | | |

| | | | | | |
|----------------------------|-------|-----------|-------------------------|-------------------------------|------------|
| 角度 ANGLE | 3° | | | | |
| 30以上 OVER | ±0.5 | | | | |
| 10以上 30未満 UNDER | ±0.25 | | | | |
| 10未満 UNDER | ±0.2 | | | | |
| 一般公差 GENERAL TOLERANCES | | 記号 LTR | 変更内容 REVISION RECORD | 新規作成 RELEASED (J2004-2528) | M.N M.S |
| | | DR | DATE | CHK | |

THIS DRAWING CONTAINS INFORMATION THAT IS PROPRIETARY TO MOLEX/JAPAN AND SHOULD NOT BE USED WITHOUT WRITTEN PERMISSION
本図面は日本モレックス(株)の所有する権利を有するもので、当社の許可なく複製を禁止する。 EN-01C(032)MXJ-32

8 7 6 5 4 3 2 1

DWG. NO. SD-52808-028

E

D

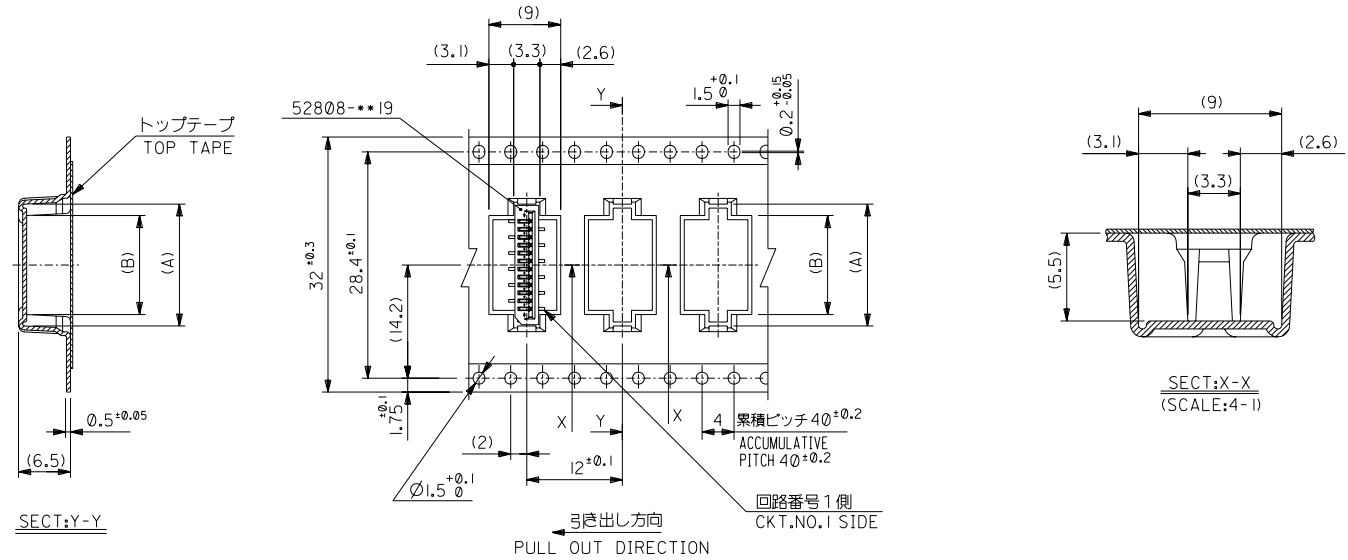
C

B

A

DIMENSIONS IN METRIC DO NOT SCALE DRAWING

8 7 6 5 4 3 2 1



32mm幅キャリアテープ
32mm WIDTH CARRIER TAPE

| |
|-------------|
| 52808-***70 |
| MODEL NO. |

| | | | | | | |
|----|------|------|------|------------|--------------|------------|
| 32 | 33.5 | 15.4 | 18.3 | 52808-1570 | 15 | |
| | | 14.4 | 17.3 | 52808-1470 | 14 | |
| | | 13.4 | 16.3 | 52808-1370 | 13 | |
| | | 12.4 | 15.3 | 52808-1270 | 12 | |
| | | 11.4 | 14.3 | 52808-1170 | 11 | |
| | | C | (B) | (A) | MATERIAL NO. | 極数 CKT. |

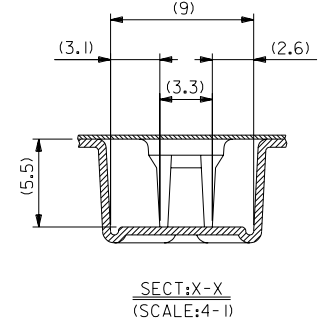
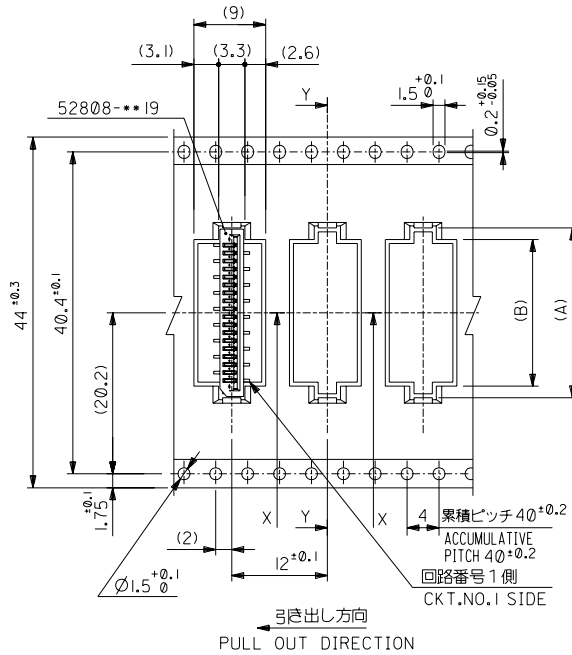
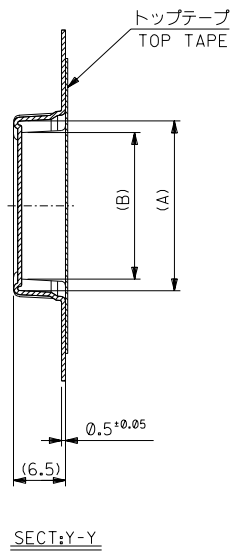
| | | |
|-------------------------|-------|--|
| 角度 ANGLE | 3° | |
| 30以上 OVER | ±0.5 | |
| 10以上 未過 UNDER | ±0.25 | |
| 10未過 UNDER | ±0.2 | |
| 一般公差 GENERAL TOLERANCES | | |

| | |
|-------------------|---------------------------------------|
| 材料 MATERIAL | SHEET 1 OF 6 参照 REFER TO SHEET 1 OF 6 |
| 仕上げ FINISH | — |
| 適用電線範囲 WIRE RANGE | — |
| 被覆外径 INS. RANGE | — |
| DRAWN BY | M.NABEI |
| CHK'D BY | M.SASAO |
| DATE | 04/02/19 |
| APP'D BY | M.SASAO |
| 尺度 SCALE | — |

| | |
|--|-------------------------------------|
| | MOLEX-JAPAN CO.,LTD. 日本モレックス株式会社 |
| REVISE ONLY ON CAD SYSTEM | |
| TITLE 名称 | |
| 1.0 FFC Conn NON ZIF SMT ST Embstp Pkg -LEAD FREE- | |
| DWG. NO. | (SHEET 4 OF 6) REV |
| SD-52808-028 | 0 |

THIS DRAWING CONTAINS INFORMATION THAT IS PROPRIETARY TO MOLEX/JAPAN AND SHOULD NOT BE USED WITHOUT WRITTEN PERMISSION
本図面は日本モレックス(株)の所有する権利を有するもので、当社の許可なく複製を禁止する。 EN-01C(032)MXJ-32

8 7 6 5 4 3 2 1



44mm幅キャリアテープ
44mm WIDTH CARRIER TAPE

52808-**-70
MODEL NO.

| | | | | | |
|------|------|------------|------|------------|----|
| 44 | 45.5 | 28.4 | 31.3 | 52808-2870 | 28 |
| | | 27.4 | 30.3 | 52808-2770 | 27 |
| | | 26.4 | 29.3 | 52808-2670 | 26 |
| | | 25.4 | 28.3 | 52808-2570 | 25 |
| | | 24.4 | 27.3 | 52808-2470 | 24 |
| | | 23.4 | 26.3 | 52808-2370 | 23 |
| | | 22.4 | 25.3 | 52808-2270 | 22 |
| | | 21.4 | 24.3 | 52808-2170 | 21 |
| | | 20.4 | 23.3 | 52808-2070 | 20 |
| | | 19.4 | 22.3 | 52808-1970 | 19 |
| | | 18.4 | 21.3 | 52808-1870 | 18 |
| | | 17.4 | 20.3 | 52808-1770 | 17 |
| 16.4 | 19.3 | 52808-1670 | 16 | | |

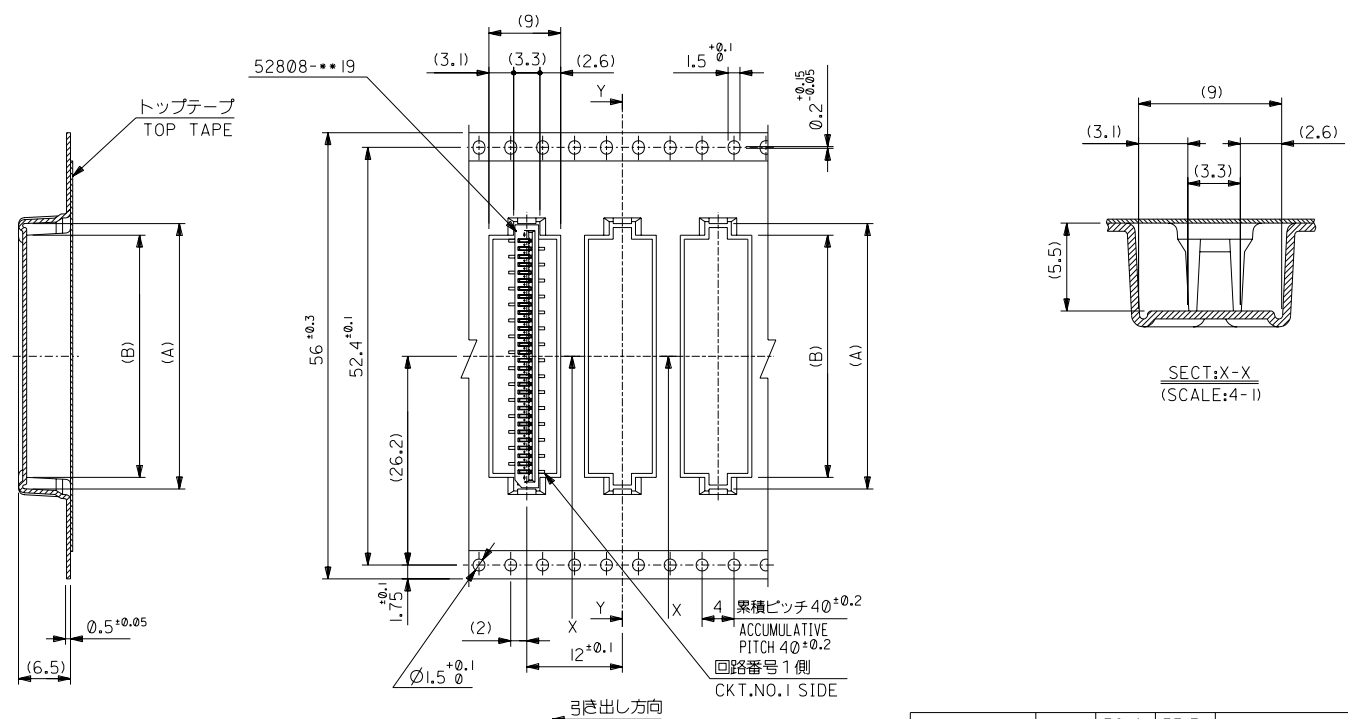
| | | |
|-------------------------|----|--|
| 角度 ANGLE | 3° | |
| 30°以上 OVER | + | |
| 10°以上 30°未満 UNDER | - | |
| 10°未満 UNDER | - | |
| 一般公差 GENERAL TOLERANCES | | |

| | | | |
|--------------------------------|--|----------|---------|
| キャリアテープ幅 CARRIER TAPE WIDTH | C | (B) | (A) |
| 材料 MATERIAL | SHEET 1 OF 6 参照 REFER TO SHEET 1 OF 6 | | |
| 仕上げ FINISH | - | | |
| 適用電線範囲 WIRE RANGE | - | | |
| 被覆外径 INS. RANGE | - | | |
| DRAWN BY | W/02/19 | CHK'D BY | W/02/19 |
| APP'D BY | M.NABEI | 尺 度 | M.SASAO |
| DATE | 04/02/19 | 尺 度 | SCALE |
| DR. CHK. | | | |

| | |
|--|-------------------------------------|
| MOLEX | MOLEX-JAPAN CO.,LTD. 日本モレックス株式会社 |
| REVISE ONLY ON CAD SYSTEM | |
| TITLE 名称 | |
| I.0 FFC Conn NON ZIF SMT ST Embstp Pkg -LEAD FREE- | |
| DWG. NO. | (SHEET 5 OF 6) REV |
| SD-52808-028 | 0 |

THIS DRAWING CONTAINS INFORMATION THAT IS PROPRIETARY TO MOLEX/JAPAN AND SHOULD NOT BE USED WITHOUT WRITTEN PERMISSION
本図面は日本モレックス(株)の所有する情報を含むもので、当社の許可なく複製を禁止する。
4 3 2 1 EN-01C(032)MXJ-32

DWG. NO. SD-52808-028
 DIMENSIONS IN METRIC DO NOT SCALE DRAWING



SECT:Y-Y
 56mm幅キャリアテープ
 56mm WIDTH CARRIER TAPE

| | | | | | | |
|-------------|--------------------------------|--|----------|-----------|--------------|--|
| 52808-**-70 | 56 | 57.5 | 30.4 | 33.3 | 52808-3070 | 30 |
| MODEL NO. | キャリアテープ幅 CARRIER TAPE WIDTH | C | (B) | (A) | MATERIAL NO. | 極数 CKT. |
| | 材料 MATERIAL | SHEET 1 OF 6 参照 REFER TO SHEET 1 OF 6 | | | | MOLEX JAPAN CO.,LTD. 日本モレックス株式会社 |
| | 仕上げ FINISH | - | | | | REVISE ONLY ON CAD SYSTEM |
| | 適用電線範囲 WIRE RANGE | - | | | | TITLE 名称 |
| | 被覆外径 INS. RANGE | - | | | | 1.0 FFC Conn NON ZIF SMT ST Embstp Pkg -LEAD FREE- |
| | 一般公差 GENERAL TOLERANCES | - | | | | DWG. NO. (SHEET 6 OF 6) REV SD-52808-028 0 |
| 角度 ANGLE | 30°以上 OVER | 30° | | | | |
| | 10°以上 30°未満 UNDER | 10° | | | | |
| | 10°未満 UNDER | 10° | | | | |
| | 新規作成 RELEASED | 0 | | | | |
| | 記号 LTR | 変更内容 | DR. DATE | CHK. DATE | | |

THIS DRAWING CONTAINS INFORMATION THAT IS PROPRIETARY TO MOLEX/JAPAN AND SHOULD NOT BE USED WITHOUT WRITTEN PERMISSION
 本図面は日本モレックス(株)の所有する権利を含むもので、当社の許可なく複製を禁止する。 EN-01C(032)MXJ-32