

## FEATURES AND SPECIFICATIONS

### Features and Benefits

- Sizes 3 to 40 circuits
- For 0.30mm thick FFC/FPC
- All solder tails kinked for added PCB retention

### Reference Information

Packaging: Tray  
 UL File No.: E29179  
 Designed In: Millimeters

### Electrical

Voltage: 200V  
 Current: 1.0A  
 Contact Resistance: 30mΩ max.  
 Dielectric Withstanding Voltage: 500V AC/1 min.  
 Insulation Resistance: 500 MΩ min.

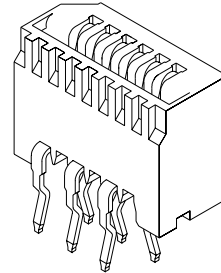
### Physical

Housing: PBTP, UL 94V-0  
 Contact: Phosphor Bronze  
 Plating: Tin  
 Operating Temperature: -40 to +85°C

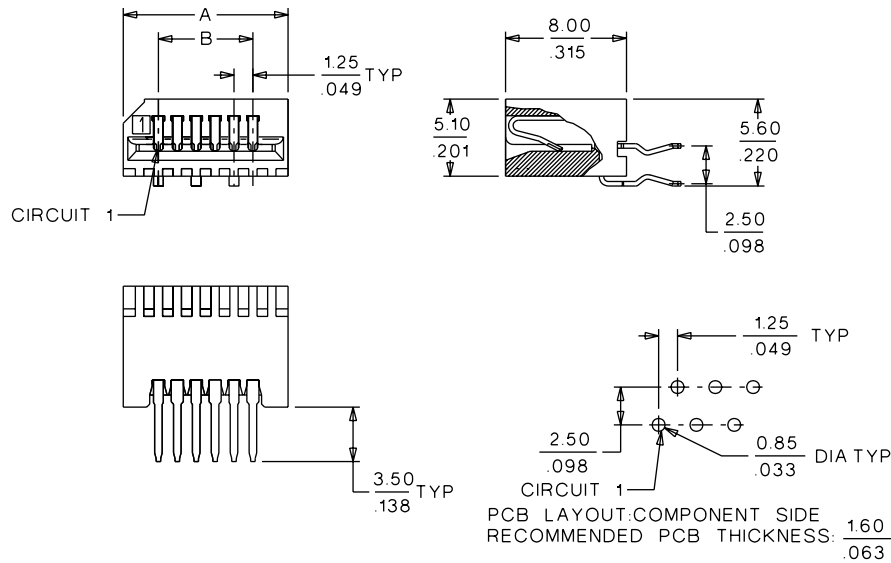
# molex® 1.25mm (.049") Pitch FFC/FPC Connector

## 52045

## Vertical, Non-ZIF



## CATALOG DRAWING(FOR REFERENCE ONLY)



## ORDERING INFORMATION AND DIMENSIONS

Circuits	Order No.	Dimension	
		A	B
3	52045-0345	7.15 (.281)	2.50 (.098)
4	52045-0445	8.40 (.331)	3.75 (.147)
5	52045-0545	9.65 (.380)	5.00 (.196)
6	52045-0645	10.90 (.429)	6.25 (.246)
7	52045-0745	12.15 (.478)	7.50 (.295)
8	52045-0845	13.40 (.528)	8.75 (.344)
9	52045-0945	14.65 (.577)	10.00 (.393)
10	52045-1045	15.90 (.626)	11.25 (.442)
11	52045-1145	17.15 (.675)	12.50 (.492)
12	52045-1245	18.40 (.724)	13.75 (.541)
13	52045-1345	19.65 (.774)	15.00 (.590)
14	52045-1445	20.90 (.823)	16.25 (.639)
15	52045-1545	22.15 (.872)	17.50 (.688)

Circuits	Order No.	Dimension	
		A	B
16	52045-1645	23.40 (.921)	18.75 (.738)
17	52045-1745	24.65 (.970)	20.00 (.787)
18	52045-1845	25.90 (1.020)	21.25 (.836)
19	52045-1945	27.15 (1.069)	22.50 (.885)
20	52045-2045	28.40 (1.118)	23.75 (.935)
21	52045-2145	29.65 (1.167)	25.00 (.984)
22	52045-2245	30.90 (1.217)	26.25 (1.033)
23	52045-2345	32.15 (1.266)	27.50 (1.082)
24	52045-2445	33.40 (1.314)	28.75 (1.131)
25	52045-2545	34.65 (1.364)	30.00 (1.181)
26	52045-2645	35.90 (1.413)	31.25 (1.230)
27	52045-2745	37.15 (1.463)	32.50 (1.279)
28	52045-2845	38.40 (1.512)	33.75 (1.328)

Circuits	Order No.	Dimension	
		A	B
29	52045-2945	39.65 (1.561)	35.00 (1.377)
30	52045-3045	40.90 (1.610)	36.25 (1.427)
31	52045-3145	42.15 (1.659)	37.50 (1.476)
32	52045-3245	43.40 (1.709)	38.75 (1.525)
33	52045-3345	44.65 (1.758)	40.00 (1.574)
34	52045-3445	45.90 (1.807)	41.25 (1.624)
35	52045-3545	47.15 (1.856)	42.50 (1.673)
36	52045-3645	48.40 (1.906)	43.75 (1.722)
37	52045-3745	49.65 (1.955)	45.00 (1.771)
38	52045-3845	50.90 (2.004)	46.25 (1.820)
39	52045-3945	52.15 (2.053)	47.50 (1.870)
40	52045-4045	53.40 (2.102)	48.75 (1.919)

Note: For cable specification dimensions, see cable pages at end of section