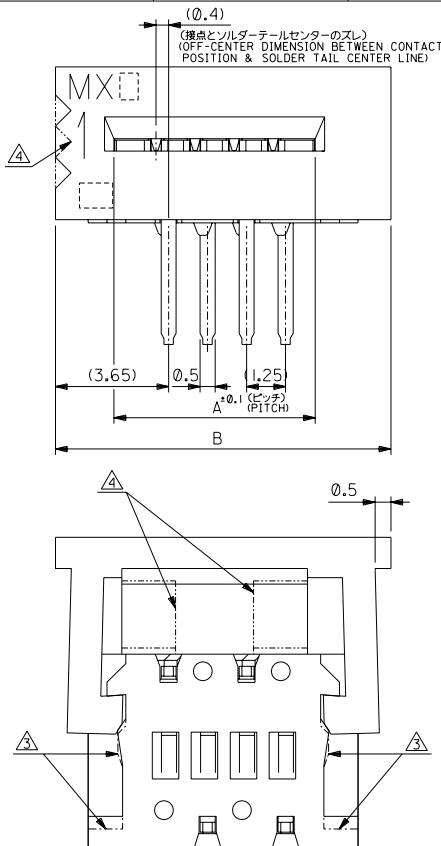


DWG. NO. SD-5597-004

8 7 6 5 4 3 2 1



注記 NOTES

- △ MX J側を基準に奇数番目の極におけるソルダーテール。SOLDER TAIL OF ODD CKTS, MXJ MARK AS BASIC.
- △ MX J側を基準に偶数番目の極におけるソルダーテール。SOLDER TAIL OF EVEN CKTS, MXJ MARK AS BASIC.
- △ 3極~10極に適用。APPLY FOR 3-10 CKTS.
- △ 3極~19極に適用。APPLY FOR 3-19 CKTS.
- 5. () 内寸法は、参考値。
() DIMENSION IS FOR REFERENCE.
- 6. ソルダーテールは、先端が取付推奨穴にガイドされること。ガイドされること。
SOLDER TAILS MAY BE CHECKED BY INSERTION FOR RECOMMENDED PCB BOARD HOLES.

48.25	43.95	39-51-3343	5597-34APB	34
47.00	42.70	-3333	-33APB	33
45.75	41.45	-3323	-32APB	32
44.50	40.20	-3313	-31APB	31
43.25	38.95	-3303	-30APB	30
42.00	37.70	-3293	-29APB	29
40.75	36.45	-3283	-28APB	28
39.50	35.20	-3273	-27APB	27
38.25	33.95	-3263	-26APB	26
37.00	32.70	-3253	-25APB	25
35.75	31.45	-3243	-24APB	24
34.50	30.20	-3233	-23APB	23
33.25	28.95	-3223	-22APB	22
32.00	27.70	-3213	-21APB	21
30.75	26.45	-3203	-20APB	20
29.50	25.20	-3193	-19APB	19
28.25	23.95	-3183	-18APB	18
27.00	22.70	-3173	-17APB	17
25.75	21.45	-3163	-16APB	16
24.50	20.20	-3153	-15APB	15
23.25	18.95	-3143	-14APB	14
22.00	17.70	-3133	-13APB	13
20.75	16.45	-3123	-12APB	12
19.50	15.20	-3113	-11APB	11
18.25	13.95	-3103	-10APB	10
17.00	12.70	-3093	-09APB	9
15.75	11.45	-3083	-08APB	8
14.50	10.20	-3073	-07APB	7
13.25	8.95	-3063	-06APB	6
12.00	7.70	-3053	-05APB	5
10.75	6.45	-3043	-04APB	4
9.50	5.20	39-51-3033	5597-03APB	3
B	A	MATERIAL NO.	ENG. NO.	極数 CKT.

DO NOT SCALE DRAWING

DESIGNER: DRAWN: CHK'G: APPR:	DESIGNER: DRAWN: CHK'G: APPR:	DESIGNER: DRAWN: CHK'G: APPR:	DESIGNER: DRAWN: CHK'G: APPR:
--	--	--	--

再作図及び変更
REDRAWN & REVISED
DESIGNER: K. TOJO '03/04/17
CHK'G: H. SAKAI '03/04/17
APPR: H. SAKAI '03/04/17

MATERIAL HOUSING, ACTUATOR :
PBTP, UL94V-0
TERMINAL : PHOSPHOR-BRONZE
THK : 0.3t
FINISH TIN-LEAD(9:1)3~5MICRON
仕上り METER OVER COPPER
1~2.5 MICRON METER PLATING.

GENERAL TOLERANCES: (UNLESS SPECIFIED) 一般公差	SCALE	DESIGN UNITS mm INCH
10 UNDER 未滿 10 OVER 以上 30 未滿 30 OVER 以上	+0.2 +0.25 +0.3	DRAWN BY & DATE K. TOJO '03/04/15 CHECKED BY & DATE H. Sakai '03/04/17 APPROVED BY & DATE H. Sakai '03/04/17
WIRE RANGE 適用電線範囲	ANGLE 角度	
INS. RANGE 被覆外径		

TITLE: 1.25 FPC Conn Assy ZIF

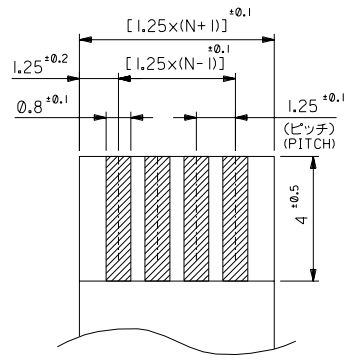
MOLEX INCORPORATED

CAD FILENAME: SD-5597-004.S01
MATERIAL NO.: 39-51-3**3
DRAWING NO.: SD-5597-004
SHEET NO.: 1 OF 2

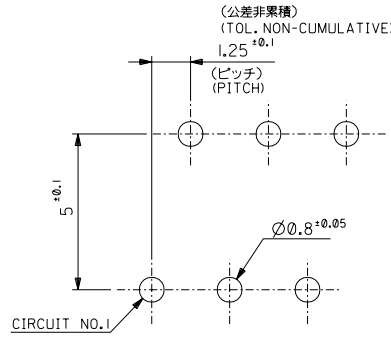
MOLEX DRAWING CONTAINS INFORMATION THAT IS PROPRIETARY TO MOLEX INCORPORATED AND SHOULD NOT BE USED WITHOUT WRITTEN PERMISSION.

EN-02J(097) MXJ-54

DWG. NO. SD-5597-004

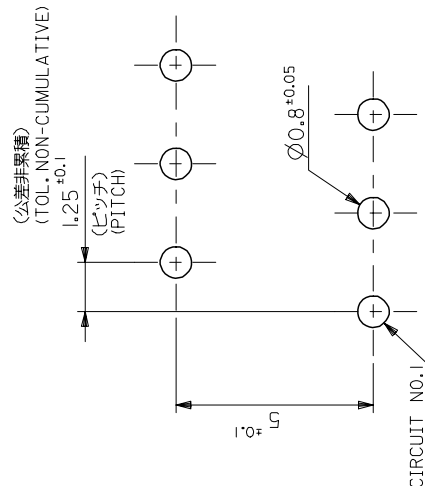
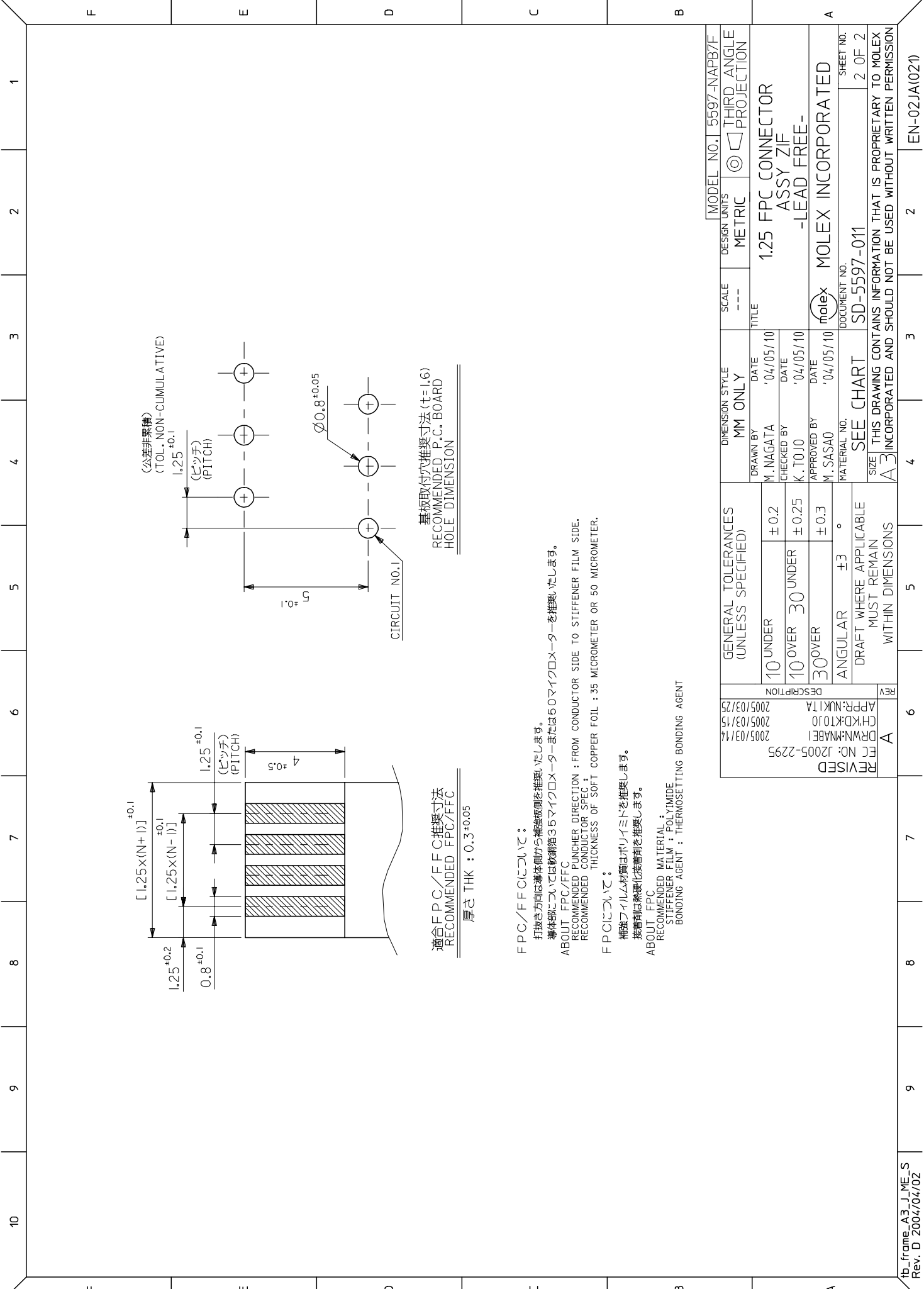


適合FPC/FPC推奨寸法
RECOMMENDED FPC/FFC
厚さ THK : 0.3±0.05



基板取付穴推奨寸法 (t=1.6)
RECOMMENDED P.C. BOARD
HOLE DIMENSION

DO NOT SCALE DRAWING	8	7	6	5	4	3	2	DIMENSIONS:		SHT	REV
								<input type="checkbox"/> mm <input type="checkbox"/> INCH <input checked="" type="checkbox"/> mm ONLY	<input type="checkbox"/> INCH <input type="checkbox"/> mm	REVISE ON CAD ONLY	
8	7	6	5	4	3	2	TITLE: 1.25 FPC Conn Assy ZIF				
8	7	6	5	4	3	2	MOLEX INCORPORATED				
8	7	6	5	4	3	2	CAD FILENAME	MATERIAL NO.	DRAWING NO.	SHEET NO.	SIZE
8	7	6	5	4	3	2	SD-5597-004.S02	39-51-3**3	SD-5597-004	2 OF 2	B
INCORPORATED AND SHOULD NOT BE USED WITHOUT WRITTEN PERMISSION.											EN-02J(097) MXJ-54



基板取付穴推奨寸法 (t=1.6)
RECOMMENDED P.C. BOARD
HOLE DIMENSION

適合FPC/FFC推奨寸法
RECOMMENDED FPC/FFC
厚さ THK : 0.3 ±0.05

FPC/FFCについて：
打抜き方向は導体側から補強材側を推奨いたします。
導体部については軟銅箔35マイクロメーターまたは50マイクロメーターを推奨いたします。
ABOUT FPC/FFC
RECOMMENDED PUNCHER DIRECTION : FROM CONDUCTOR SIDE TO STIFFENER FILM SIDE.
RECOMMENDED CONDUCTOR SPEC :
THICKNESS OF SOFT COPPER FOIL : 35 MICROMETER OR 50 MICROMETER.
FPCについて：
補強フィルム材質はポリイミドを推奨します。
接着剤は熱硬化接着剤を推奨します。
ABOUT FPC
RECOMMENDED MATERIAL :
STIFFENER FILM : POLYIMIDE
BONDING AGENT : THERMOSETTING BONDING AGENT

MODEL NO. 5597-NAPB7F		DESIGN UNITS	SCALE	DIMENSION STYLE	THIRD ANGLE PROJECTION	
		METRIC	---	MM ONLY	1.25 FPC CONNECTOR ASSY ZIF -LEAD FREE-	
DRAWN BY		DATE	TITLE	MOLEX INCORPORATED		
M. NAGATA		'04/05/10		DOCUMENT NO.	SD-5597-011	
CHECKED BY		DATE		SHEET NO.	2 OF 2	
K. TOJO		'04/05/10		THIS DRAWING CONTAINS INFORMATION THAT IS PROPRIETARY TO MOLEX INCORPORATED AND SHOULD NOT BE USED WITHOUT WRITTEN PERMISSION		
APPROVED BY		DATE				
M. SASAO		'04/05/10				
MATERIAL NO.		SEE CHART				
SIZE		A3				
WITHIN DIMENSIONS						
GENERAL TOLERANCES (UNLESS SPECIFIED)						
10 UNDER	±0.2					
10 OVER	30 UNDER	±0.25				
30 OVER		±0.3				
ANGULAR		±3 °				
DRAFT WHERE APPLICABLE MUST REMAIN						
DESCRIPTION						
REV	DESCRIPTION					
A	REVISED					
	FC NO: 12005-2295					
	DRW/N:MNABE1					
	CHKD:KTOJO					
	APP:NUKITA					
	2005/03/15					
	2005/03/25					
EN-02JA(021)						