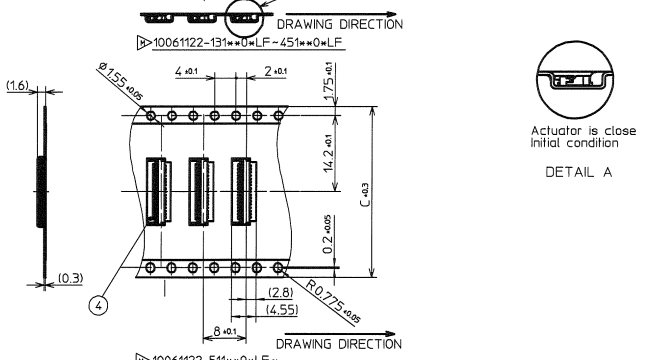
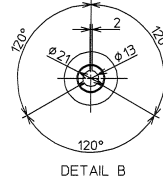
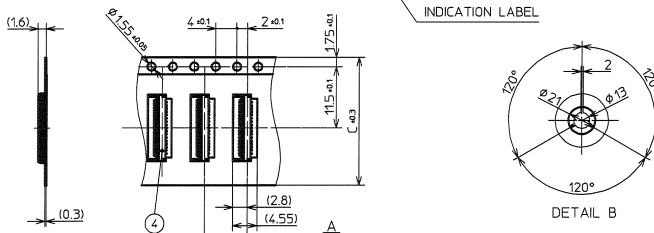
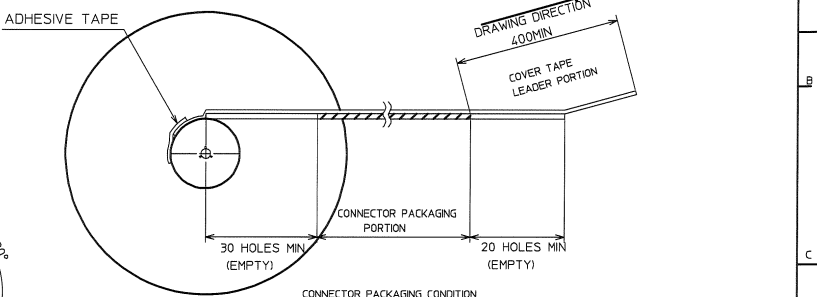
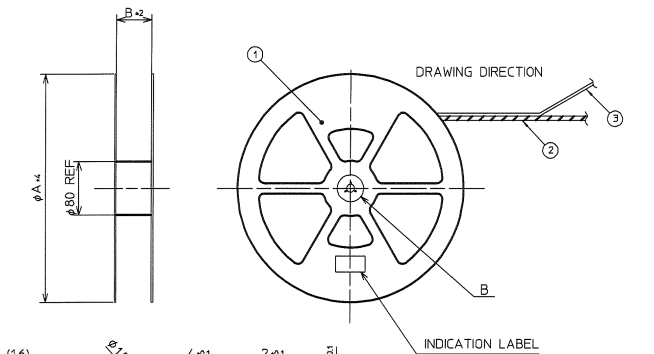


PRODUCT NO
10061122-***1**0*LF

EMBOSS TAPE	DIMENSIONS		
	# A	B	C
10061122-131**0*LF~451**0*LF	330	25.5	24
10061122-511**0*LF~		33.5	32

PT.NO.	PARTS NAME	PRODUCT NO.	MATERIAL	Q'TY	NOTE
1	REEL		POLYSTYRENE	1	COLOR: WHITE/ELECTRIFICATION PREVENTION PROCESSING
2	EMBOSS TAPE		PP OR PET	1	ELECTRIFICATION PREVENTION PROCESSING
3	COVER TAPE		POLYESTER		
4	CONNECTOR	10061122-***1**0*LF	10061122 SHEET2,3		
		10061122-***1**H*LF	10061122 SHEET4,5,6,7	5000	



NOTE
1. THIS ARTICLE CARRIES OUT THE EMBOSS TAPE PACKAGE OF THE P/N 10061122 SERIES CONNECTOR
2. THE SHAPE AND DIMENSION OF THIS ARTICLE ARE BASED ON JIS C 0806 (TAPING OF ELECTRONIC PARTS/SURFACE MOUNTED DEVICE)

- P/N COMPOSITION
- 10061122-***1**0*LF
 - HOUSING MATERIAL 1E: NONE-HALOGEN FREE RESIN 2H: HALOGEN FREE RESIN
 - LEAD FREE
 - PACKAGING FORM: (PLASTIC REEL/EMBOSS TAPE PACKAGE)
 - EMBOSSING TAPE PACKAGE 0: 8mm PITCH
 - PLATING SPEC: (ALL PLATING)
 - MOUNTING 1: SMT/WITH CABLE LOCK 2: SMT/WITHOUT CABLE LOCK 3: SMT/WITH CABLE LOCK/WITH ACTUATOR LOCK 4: SMT/WITHOUT CABLE LOCK/WITH ACTUATOR LOCK
 - CONTACT SIDE 1: DOWN SIDE
 - NO OF POSITION
 - SERIES NAME

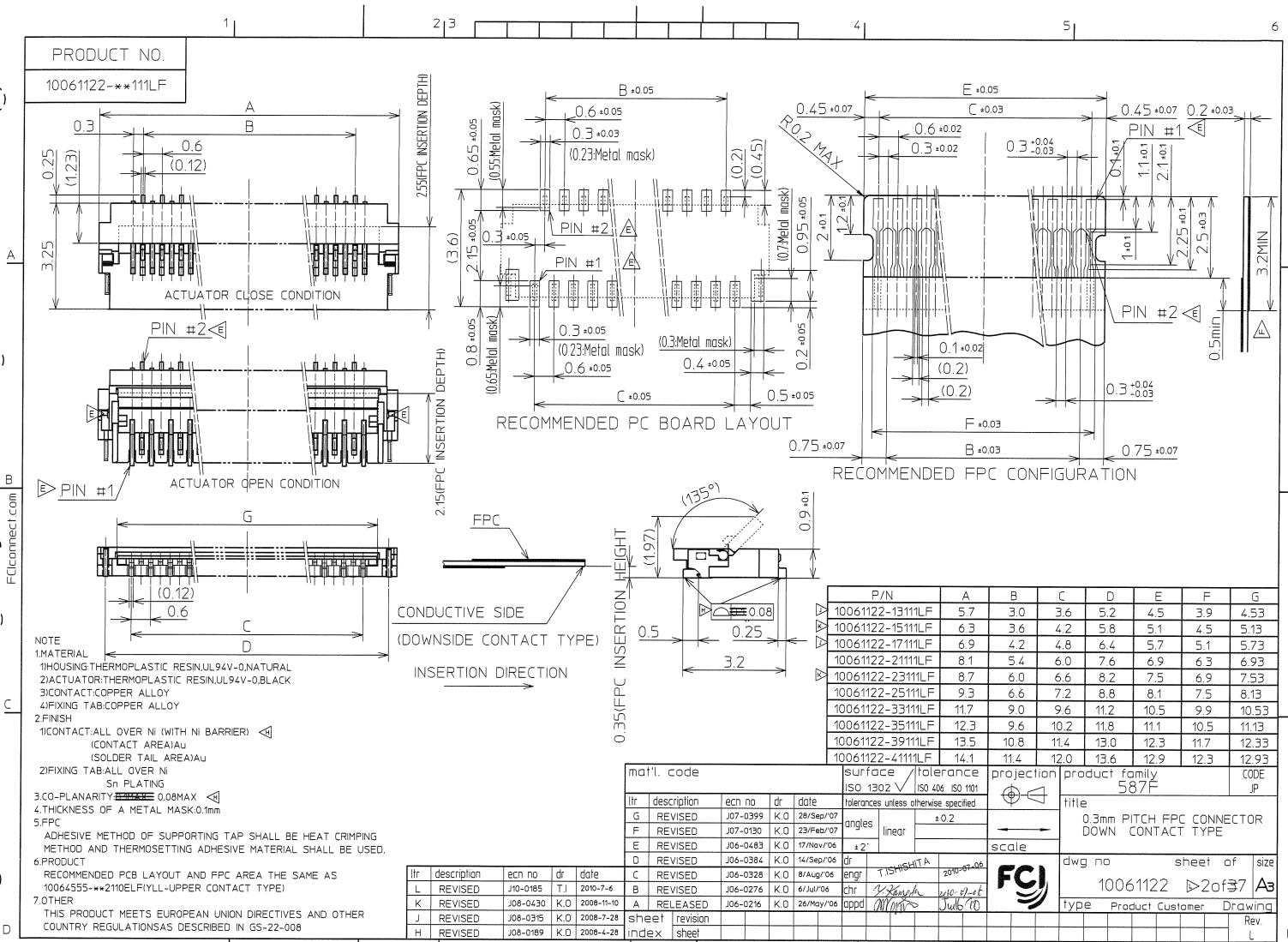
lfr	description	ech no	gr	date	revision	surface	tolerance	projection	product family	code
G	REVISED	27-0399	K.O	26/04/07		ISO 1302	ISO 456 86 90	MM	587F (YLL-D)	
F	REVISED	27-0399	K.O	23/04/07		linear	±0.3	MM	0.3mm PITCH FPC CONNECTOR	
E	REVISED	24-0483	K.O	19/04/04		linear	±0.3	MM	DOWN CONTACT TYPE ET PACKAGING	
D	REVISED	24-0384	K.O	14/04/04		linear	±0.3	MM	0.3mm PITCH FPC CONNECTOR	
C	REVISED	24-0378	K.O	14/04/04		linear	±0.3	MM	DOWN CONTACT TYPE ET PACKAGING	
B	REVISED	24-0276	K.O	14/04/04		linear	±0.3	MM	0.3mm PITCH FPC CONNECTOR	
A	RELEASED	24-0276	K.O	26/04/04		linear	±0.3	MM	DOWN CONTACT TYPE ET PACKAGING	
N	REVISED	20-0268	T.J	20/04/02		linear	±0.3	MM	0.3mm PITCH FPC CONNECTOR	
M	REVISED	20-0263	T.J	20/04/02		linear	±0.3	MM	DOWN CONTACT TYPE ET PACKAGING	
L	REVISED	20-0273	T.J	20/04/02		linear	±0.3	MM	0.3mm PITCH FPC CONNECTOR	
K	REVISED	20-0430	K.O	20/04/02		linear	±0.3	MM	DOWN CONTACT TYPE ET PACKAGING	
J	REVISED	20-0276	K.O	20/04/02		linear	±0.3	MM	0.3mm PITCH FPC CONNECTOR	
I	REVISED	20-0268	K.O	20/04/02		linear	±0.3	MM	DOWN CONTACT TYPE ET PACKAGING	

PDM: Rev:N STATUS: Released Printed: Oct 15, 2010

Copyright FCI
FCIconnect.com ID

PRODUCT NO.

10061122-***111LF



NOTE

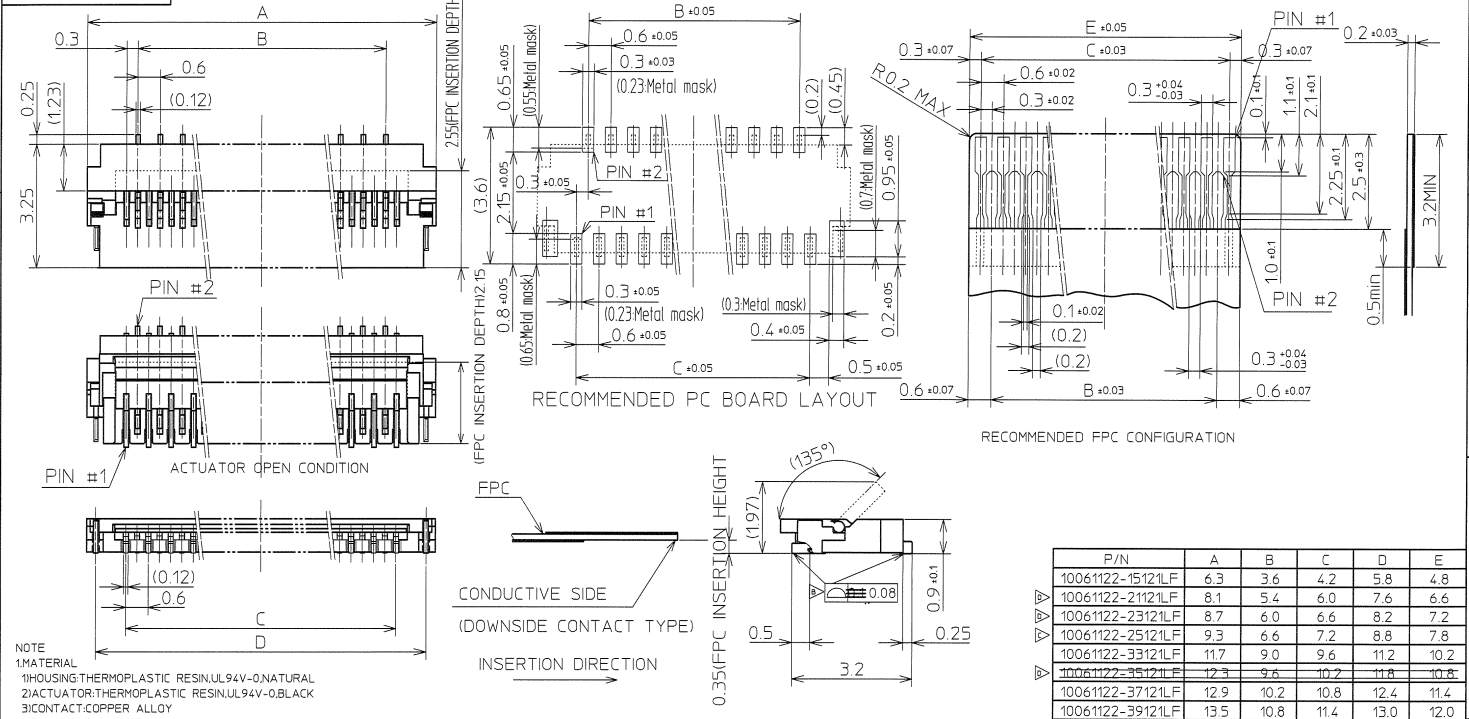
- MATERIAL
 - 1 HOUSING: THERMOPLASTIC RESIN UL94V-0-NATURAL
 - 2 ACTUATOR: THERMOPLASTIC RESIN UL94V-0-BLACK
 - 3 CONTACT: COPPER ALLOY
 - 4 FIXING TAB: COPPER ALLOY
- FINISH
 - 1 CONTACT: ALL OVER Ni (WITH Ni BARRIER)
 - (CONTACT AREA) Au
 - (SOLDER TAIL AREA) Au
 - 2 FIXING TAB: ALL OVER Ni
 - Sn PLATING
- CO-PLANARITY $\leq 0.08 \text{ MAX}$
- THICKNESS OF A METAL MASK: 0.1mm
- FPC
 - ADHESIVE METHOD OF SUPPORTING TAP SHALL BE HEAT CRIMPING METHOD AND THERMOSETTING ADHESIVE MATERIAL SHALL BE USED.
- PRODUCT
 - RECOMMENDED PCB LAYOUT AND FPC AREA THE SAME AS 10064555-***2110ELFYLL-UPPER CONTACT TYPE!
- OTHER
 - THIS PRODUCT MEETS EUROPEAN UNION DIRECTIVES AND OTHER COUNTRY REGULATIONS AS DESCRIBED IN GS-22-008

P/N	A	B	C	D	E	F	G
10061122-13111LF	5.7	3.0	3.6	5.2	4.5	3.9	4.53
10061122-15111LF	6.3	3.6	4.2	5.8	5.1	4.5	5.13
10061122-17111LF	6.9	4.2	4.8	6.4	5.7	5.1	5.73
10061122-21111LF	8.1	5.4	6.0	7.6	6.9	6.3	6.93
10061122-23111LF	8.7	6.0	6.6	8.2	7.5	6.9	7.53
10061122-25111LF	9.3	6.6	7.2	8.8	8.1	7.5	8.13
10061122-33111LF	11.7	9.0	9.6	11.2	10.5	9.9	10.53
10061122-35111LF	12.3	9.6	10.2	11.8	11.1	10.5	11.13
10061122-39111LF	13.5	10.8	11.4	13.0	12.3	11.7	12.33
10061122-41111LF	14.1	11.4	12.0	13.6	12.9	12.3	12.93

lir	description	ecn no	dr	date	tolerances unless otherwise specified	projection	product family	CODE
G	REVISED	J07-0399	K.O	28/Sep/07	ISO 1302	ISO 406	587F	JP
F	REVISED	J07-0190	K.O	23/Feb/07	angles	linear	0.3mm PITCH FPC CONNECTOR DOWN CONTACT TYPE	
E	REVISED	J06-0483	K.O	17/Nov/06	$\pm 2^\circ$	scale		
D	REVISED	J06-0384	K.O	14/Sep/06	dr			
C	REVISED	J06-0328	K.O	8/Aug/06	engr	TISHITATA		
B	REVISED	J06-0276	K.O	8/JUL/06	chr	2007-07-06		
A	RELEASED	J06-0216	K.O	26/May/06	appd	2007-07-06		
sheet	revision							
index	sheet							

lir	description	ecn no	dr	date	tolerances unless otherwise specified	projection	product family	CODE
L	REVISED	J10-0185	T.J	2010-7-6				
K	REVISED	J08-0430	K.O	2008-11-10				
J	REVISED	J08-0315	K.O	2008-7-28				
H	REVISED	J08-0189	K.O	2008-4-28				

PRODUCT NO.
10061122-**-**121LF



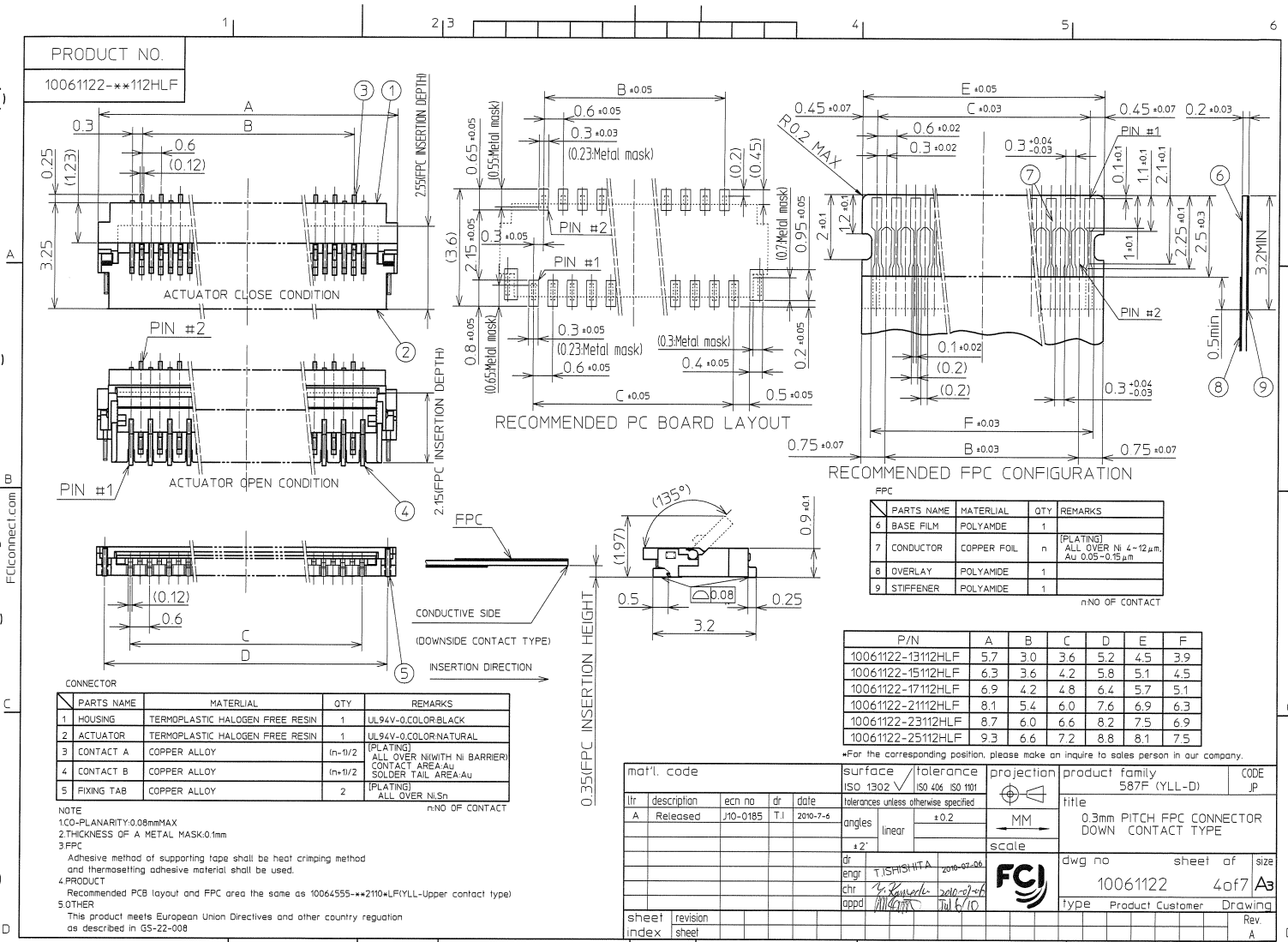
NOTE
1.MATERIAL
1)HOUSING.THERMOPLASTIC RESIN,UL94V-0,NATURAL
2)ACTUATOR.THERMOPLASTIC RESIN,UL94V-0,BLACK
3)CONTACT.COPPER ALLOY
4)FIXING TAB.COPPER ALLOY
2.FINISH
1)CONTACT-ALL OVER Ni (WITH Ni BARRIER) (CONTACT AREA)Au (SOLDER TAIL AREA)Au
2)FIXING TAB-ALL OVER Ni Sn PLATING
3.CO-PLANARITY 0.08MAX
4.THICKNESS OF A METAL MASK:0.1mm
5.FPC
ADHESIVE METHOD OF SUPPORTING TAP SHALL BE HEAT CRIMPING METHOD AND THERMOSETTING ADHESIVE MATERIAL SHALL BE USED.
6.PRODUCT
RECOMMENDED PCB LAYOUT AND FPC AREA THE SAME AS 10064555-**-**2210ELFYLL-UPPER CONTACT TYPE!
7.OTHER
THIS PRODUCT MEETS EUROPEAN UNION DIRECTIVES AND OTHER COUNTRY REGULATIONS AS DESCRIBED IN GS-22-008

P/N	A	B	C	D	E
10061122-15121LF	6.3	3.6	4.2	5.8	4.8
10061122-21121LF	8.1	5.4	6.0	7.6	6.6
10061122-23121LF	8.7	6.0	6.6	8.2	7.2
10061122-25121LF	9.5	6.6	7.2	8.8	7.8
10061122-33121LF	11.7	9.0	9.6	11.2	10.2
10061122-35121LF	12.3	9.6	10.2	11.8	10.8
10061122-37121LF	12.9	10.2	10.8	12.4	11.4
10061122-39121LF	13.5	10.8	11.4	13.0	12.0
10061122-41121LF	14.1	11.4	12.0	13.6	12.6
10061122-43121LF	14.7	12.0	12.6	14.2	13.2
10061122-45121LF	15.3	12.6	13.2	14.8	13.8

mat'l. code	surface	tolerance	projection	product family	CODE
lir description	ISO 1302	ISO 406 ISO 1101	MM	587F	JP
ecn no	dr	date	angles	linear	title
tolerances unless otherwise specified					0.3mm PITCH FPC CONNECTOR DOWN CONTACT TYPE
±0.2					dwg no
scale					sheet of
A REVISION J10-0185 T.I 2010-7-6					10061122 3 of 7
D REVISION J10-0073 T.I 2010-5-17					size
C REVISION J08-0430 K.O 2008-11-10					A3
B REVISION J08-0189 K.O 2008-4-28					type
A RELEASED J07-0399 K.O 28/Sep/07					Product Customer Drawing
sheet	revision	sheet	index	Rev	E

PRODUCT NO.

10061122-**-112HLF



PARTS NAME	MATERIAL	QTY	REMARKS
1 HOUSING	TERMOPLASTIC HALOGEN FREE RESIN	1	UL94V-0.COLOR:BLACK
2 ACTUATOR	TERMOPLASTIC HALOGEN FREE RESIN	1	UL94V-0.COLOR:NATURAL
3 CONTACT A	COPPER ALLOY	(n-1)/2	[PLATING] ALL OVER Ni(WITH Ni BARRIER) CONTACT AREA: Au SOLDER TAIL AREA: Au
4 CONTACT B	COPPER ALLOY	(n-1)/2	[PLATING] ALL OVER Ni:Sn
5 FIXING TAB	COPPER ALLOY	2	[PLATING] ALL OVER Ni:Sn

NOTE
 1.CO-PLANARITY:0.08mmMAX
 2.THICKNESS OF A METAL MASK:0.1mm
 3.FPC
 Adhesive method of supporting tape shall be heat crimping method and thermosetting adhesive material shall be used.
 4.PRODUCT
 Recommended PCB layout and FPC area the same as 10064555-**-2110-LF(YLL)-Upper contact type)
 5.OTHER
 This product meets European Union Directives and other country regulation as described in GS-22-008

PARTS NAME	MATERIAL	QTY	REMARKS
6 BASE FILM	POLYAMIDE	1	
7 CONDUCTOR	COPPER FOL	n	[PLATING] ALL OVER Ni 4~12µm, Au: 0.05~0.15µm
8 OVERLAY	POLYAMIDE	1	
9 STIFFENER	POLYAMIDE	1	

n: NO OF CONTACT

P/N	A	B	C	D	E	F
10061122-13112HLF	5.7	3.0	3.6	5.2	4.5	3.9
10061122-15112HLF	6.3	3.6	4.2	5.8	5.1	4.5
10061122-17112HLF	6.9	4.2	4.8	6.4	5.7	5.1
10061122-21112HLF	8.1	5.4	6.0	7.6	6.9	6.3
10061122-23112HLF	8.7	6.0	6.6	8.2	7.5	6.9
10061122-25112HLF	9.3	6.6	7.2	8.8	8.1	7.5

mat'l. code surface tolerance ISO 1302 ISO 406 ISO 101
 projection product family 587F (YLL-D) CODE JP
 title 0.3mm PITCH FPC CONNECTOR DOWN CONTACT TYPE
 scale
 sheet index revision sheet

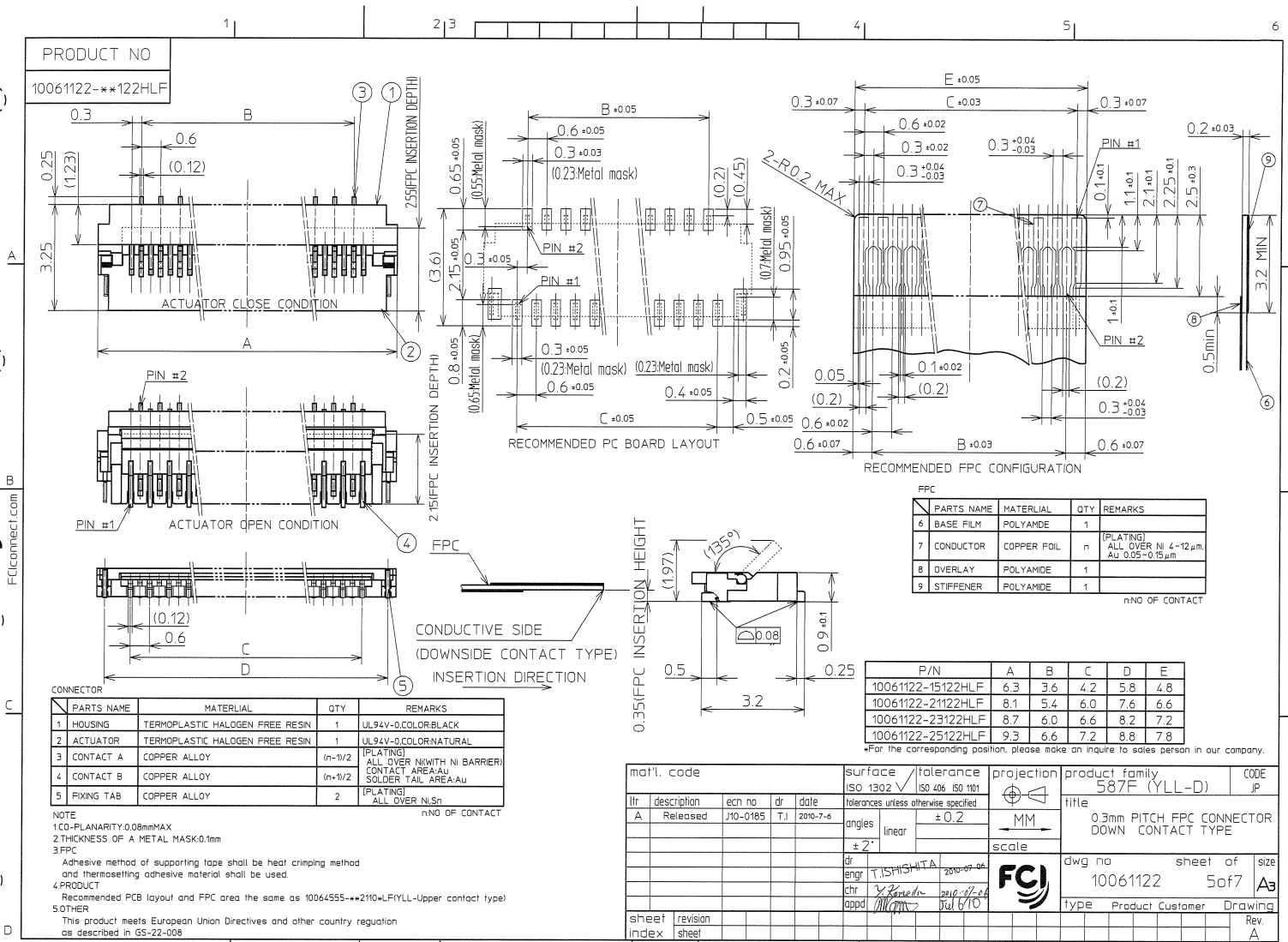
For the corresponding position, please make an inquire to sales person in our company.

engr T. ISHIIHITA 2010-07-06
 chr S. KAWADA 2010-07-06
 appd M. ITO 2010-07-06

dwg no 10061122 sheet of 4 of 7 size A3
 type Product Customer Drawing Rev A

PRODUCT NO

10061122-**-122HLF



PARTS NAME	MATERIAL	QTY	REMARKS
6	BASE FILM	POLYAMIDE	1
7	CONDUCTOR	COPPER FOIL	n (PLATING) ALL OVER Ni 4-12 μm Au 0.05-0.15 μm
8	OVERLAY	POLYAMIDE	1
9	STIFFENER	POLYAMIDE	1

n=NO OF CONTACT

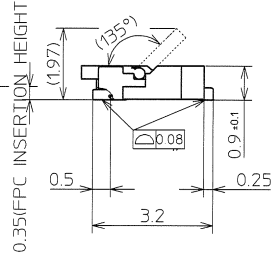
P/N	A	B	C	D	E
10061122-15122HLF	6.3	3.6	4.2	5.8	4.8
10061122-21122HLF	8.1	5.4	6.0	7.6	6.6
10061122-23122HLF	8.7	6.0	6.6	8.2	7.2
10061122-25122HLF	9.3	6.6	7.2	8.8	7.8

*For the corresponding position, please make an inquire to sales person in our company.

PARTS NAME	MATERIAL	QTY	REMARKS
1	HOUSING	TERMOPLASTIC HALOGEN FREE RESIN	1 UL94V-0.COLOR:BLACK
2	ACTUATOR	TERMOPLASTIC HALOGEN FREE RESIN	1 UL94V-0.COLOR:NATURAL
3	CONTACT A	COPPER ALLOY	(n-1)/2 (PLATING) ALL OVER Ni WITH Ni BARRIER CONTACT AREA: Au SOLDER TAIL AREA: Au
4	CONTACT B	COPPER ALLOY	(n-1)/2 (PLATING) ALL OVER Ni, Sn
5	FIXING TAB	COPPER ALLOY	2 (PLATING) ALL OVER Ni, Sn

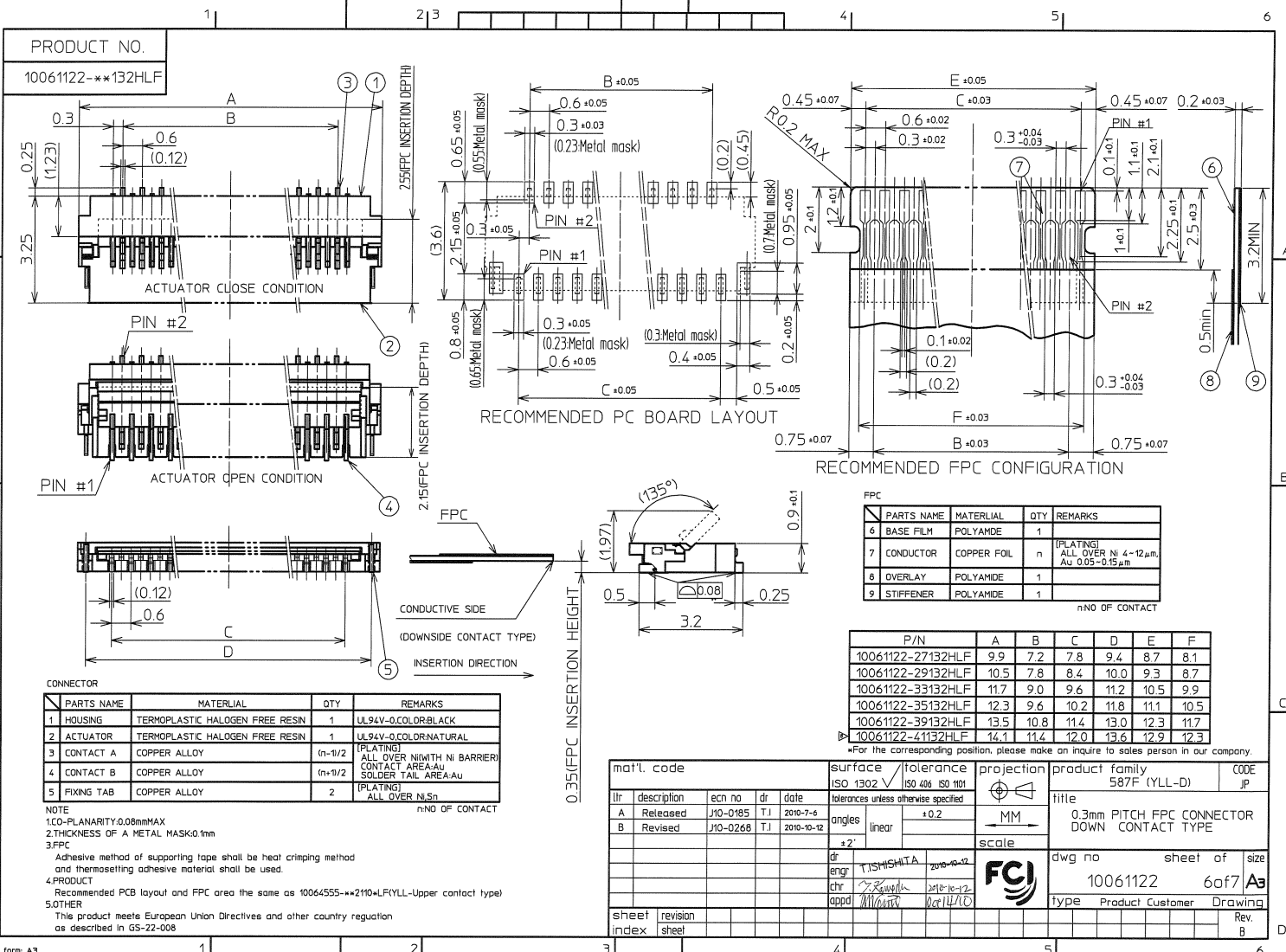
n=NO OF CONTACT

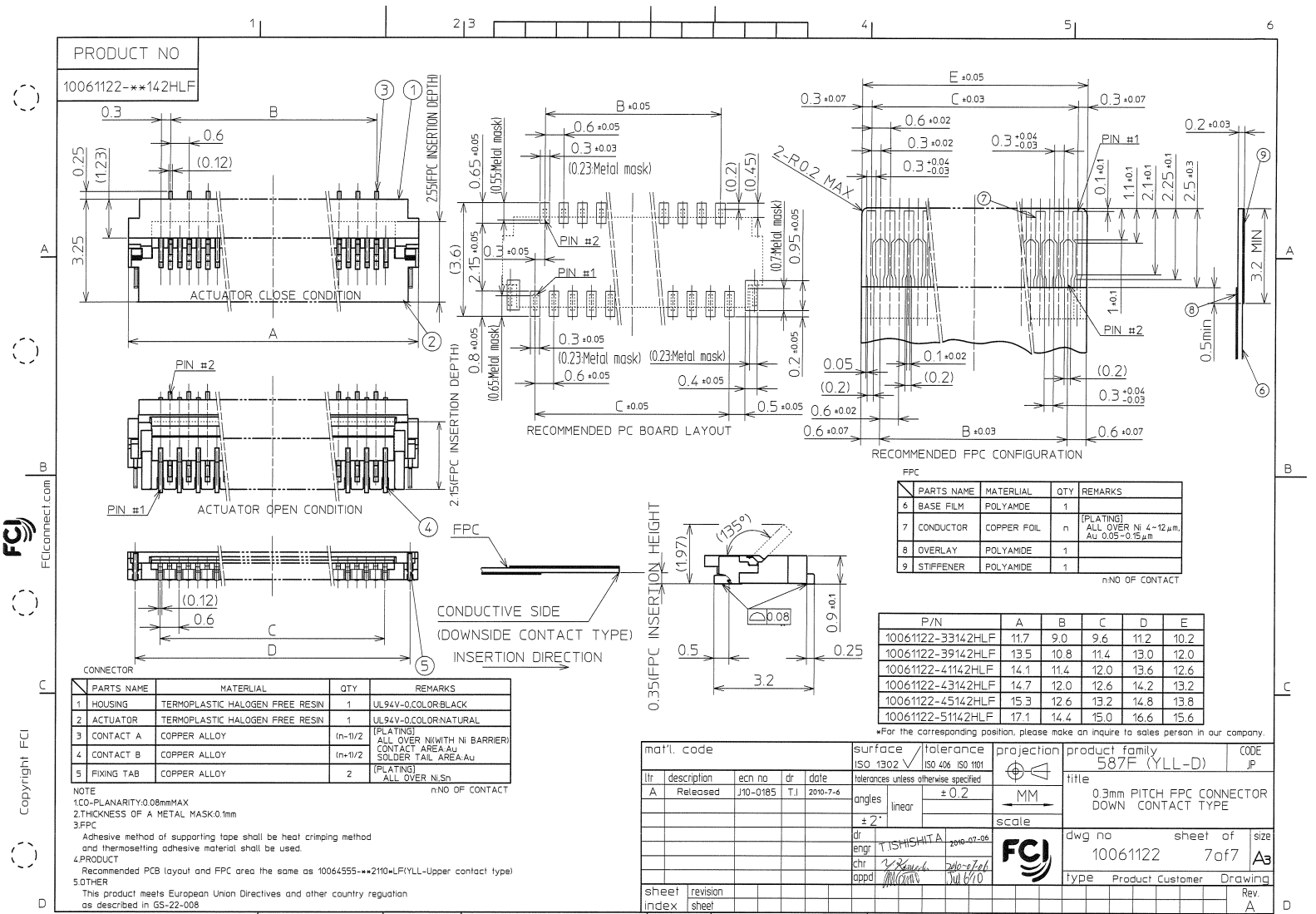
NOTE
 1.CO-PLANARITY:0.08mmMAX
 2.THICKNESS OF A METAL MASK:0.1mm
 3.FFC
 Adhesive method of supporting tape shall be heat crimping method and thermosetting adhesive material shall be used.
 4.PRODUCT
 Recommended PCB layout and FFC area the same as 10064555-**-2110-**-LF(YLL-Upper contact type)
 5.OTHER
 This product meets European Union Directives and other country regulation as described in GS-22-008



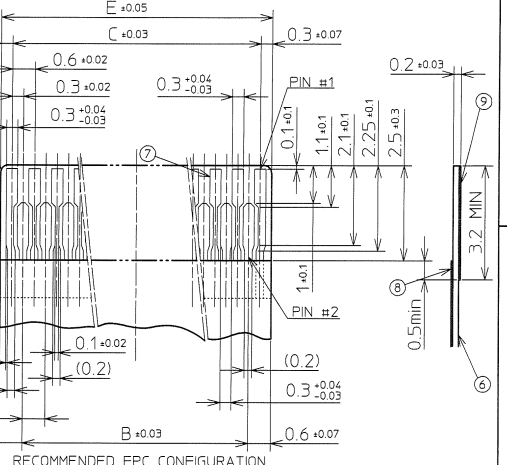
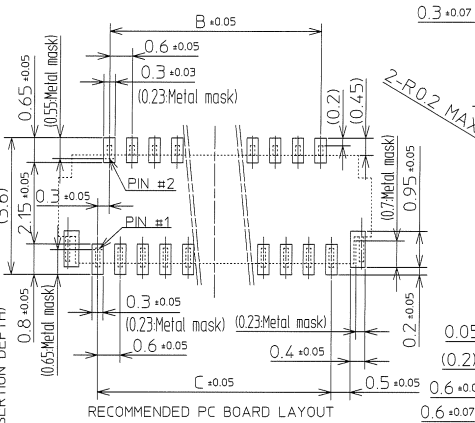
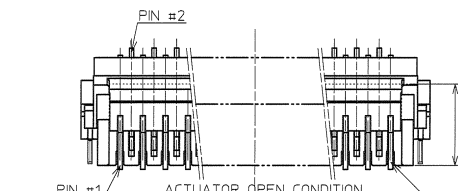
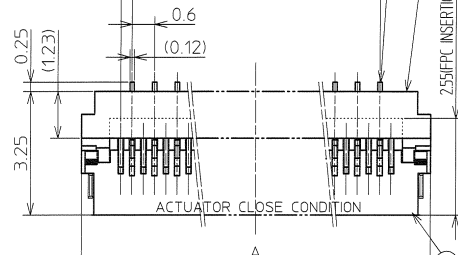
mat'l. code	surface ISO 1302 ✓	tolerance ISO 406 ISO 1101	projection	product family 587F (YLL-D)	CODE JP
lfr description	ecn no	dr date	angles	title	
A Released	J10-0185	T.I 2010-7-6	linear ± 0.2	0.3mm PITCH FFC CONNECTOR DOWN CONTACT TYPE	
			± 2°		
			scale	dwg no	sheet of
			MM	10061122	5 of 7
			scale	type	Product Customer Drawing
			MM		Rev. A

FCJ
 FCJconnect.com
 Copyright FCJ



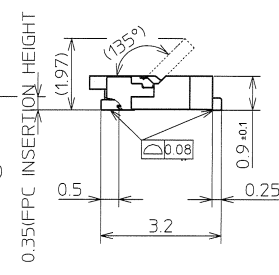


PRODUCT NO
10061122-**-142HLF



PARTS NAME	MATERIAL	QTY	REMARKS
1 HOUSING	TERMOPLASTIC HALOGEN FREE RESIN	1	UL94V-0,COLOR:BLACK
2 ACTUATOR	TERMOPLASTIC HALOGEN FREE RESIN	1	UL94V-0,COLOR:NATURAL
3 CONTACT A	COPPER ALLOY	(n-1)/2	[PLATING] ALL OVER Ni(WITH Ni BARRIER) CONTACT AREA Au SOLDER TAIL AREA Au
4 CONTACT B	COPPER ALLOY	(n-1)/2	[PLATING] ALL OVER Ni(WITH Ni BARRIER) CONTACT AREA Au SOLDER TAIL AREA Au
5 FIXING TAB	COPPER ALLOY	2	[PLATING] ALL OVER Ni Sn

NOTE
1.CO-PLANARITY:0.08mmMAX
2.THICKNESS OF A METAL MASK:0.1mm
3.FPC
Adhesive method of supporting tape shall be heat crimping method and thermosetting adhesive material shall be used.
4.PRODUCT
Recommended PCB layout and FPC area the same as 10064555-**-2110-LF(YLL-Upper contact type)
5.OTHER
This product meets European Union Directives and other country regulation as described in GS-22-008



PARTS NAME	MATERIAL	QTY	REMARKS
6 BASE FILM	POLYAMIDE	1	
7 CONDUCTOR	COPPER FOIL	n	[PLATING] ALL OVER Ni (4-12µm) Au 0.05-0.15µm
8 OVERLAY	POLYAMIDE	1	
9 STIFFENER	POLYAMIDE	1	

n: NO OF CONTACT

P/N	A	B	C	D	E
10061122-33142HLF	11.7	9.0	9.6	11.2	10.2
10061122-39142HLF	13.5	10.8	11.4	13.0	12.0
10061122-41142HLF	14.1	11.4	12.0	13.6	12.6
10061122-43142HLF	14.7	12.0	12.6	14.2	13.2
10061122-45142HLF	15.3	12.6	13.2	14.8	13.8
10061122-51142HLF	17.1	14.4	15.0	16.6	15.6

*For the corresponding position, please make an inquire to sales person in our company.

mat'l. code	surface ISO 1302 ✓	tolerance ISO 406 ISO 101	projection	product family 587F (YLL-D)	CODE
dr description	ecn no	dr date	tolerances unless otherwise specified	title	jp
A Released	J10-0185	TJ 2010-7-6	angles ± 2°	0.3mm PITCH FPC CONNECTOR DOWN CONTACT TYPE	
			linear ± 0.2		
			scale	dwg no 10061122	sheet of 7 of 7
			dr engr TISHISHITA 2010.07.06		size A3
			chr Y. Kouchi 2010-7-16		
			appd M. Ochi 2010-7-10		
sheet index	revision sheet			Type Product Customer Drawing	Rev. A