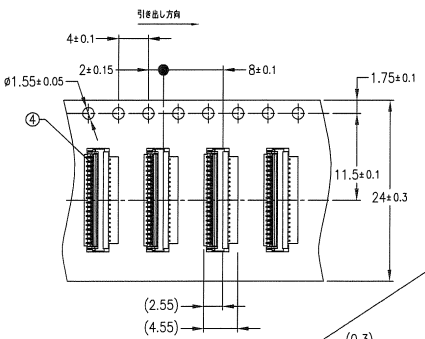
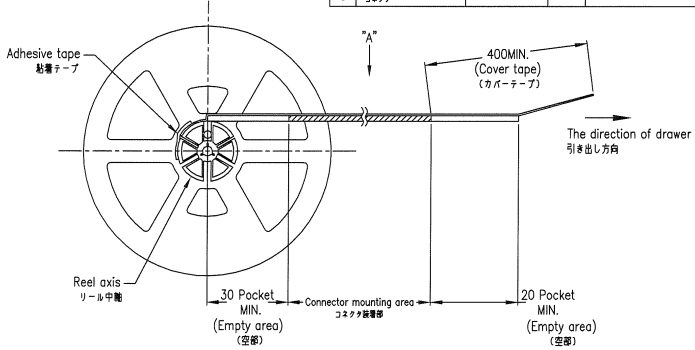
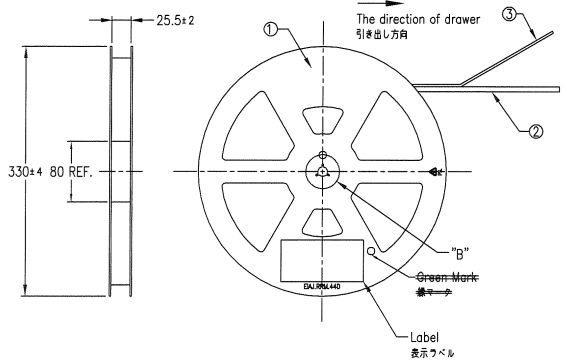


PRODUCT NO.  
10064555-\*\*-2\*\*0\*LF

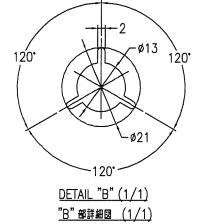
No.	Part name 部品名	Material 材質	QTY.	Note 備考
①	The reel for packaging 巻取りリール	Polyethylene ポリエチレン	1	Color: White, Electrification prevention processing 色:白、帯電防止処理品
②	Emboss tape エンボステープ	PP or PET	1	Electrification prevention processing 帯電防止処理品
③	Cover tape カバーテープ	Polyester ポリエステル	1	
④	Connector コネクタ	See sheet 2,3	3000	



<P/N composition> <P/N 構成>

10064555-39 2 1 1 0 E L F

- Lead Free
- Mold material 1E: Non-Halogen free  
2H: Halogen free
- Embossing tape package O: 8mm PITCH
- TYPES OF PRODUCT 1: SMT / WITH CABLE LOCK  
2: SMT / WITHOUT CABLE LOCK
- Contact Side 2: UPPER SIDE
- No of position
- Series name



NOTE  
1. This article carries out the emboss tape package of the P/N10064555 series connector.  
2. The shape and dimension of this article are based on JIS C 0806.  
(Taping of electronic parts (Surface mounted device))

注意  
1. 本品は P/N10064555シリーズをエンボステープ梱包したものである。  
2. 本品の形状及び寸法規定は JIS C 0806 (電子部品のテーピング (表面実装部品)) に準拠する。

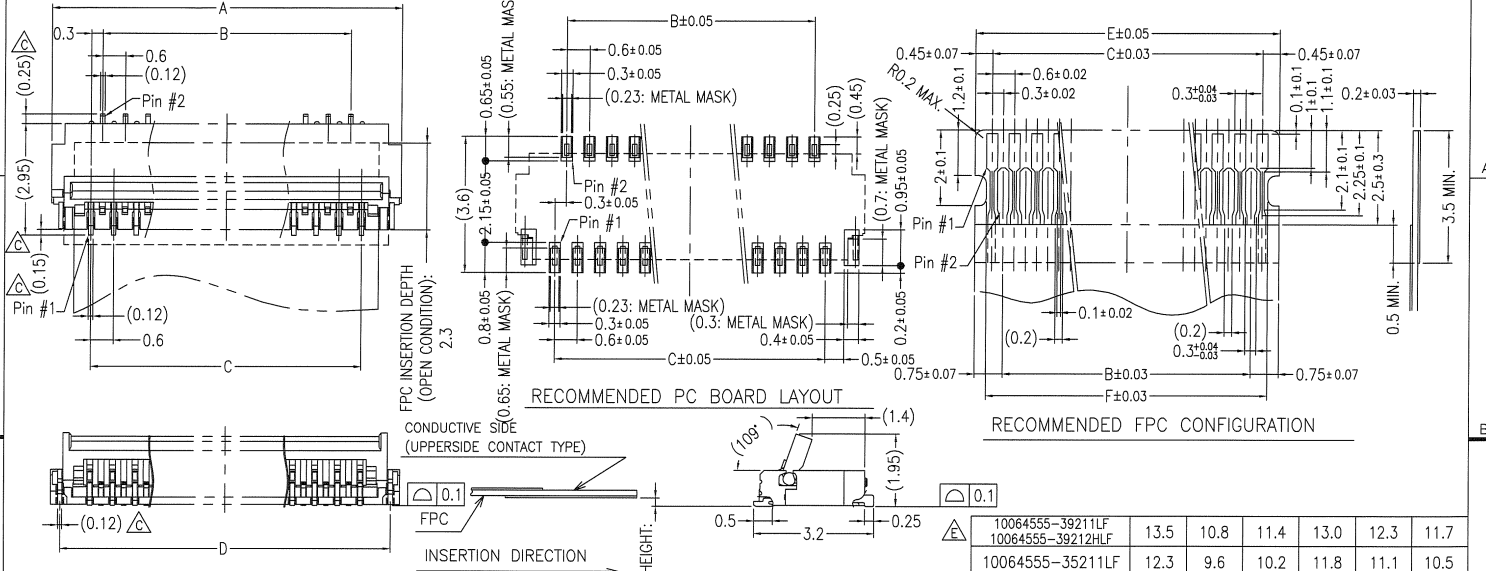
mat'l. code	description	ecn no	dr	date	surface	tolerance	projection	product family	CODE
---	---	---	---	---	ISO 1302	ISO 406 ISO 1101	MM	589F FLEX 0.3	JP
A	RELEASED	J06-0368	Y.K	09/06/06	angles	0.X ±0.2	MM	ASSEMBLY	
B	REVISED	J07-0472	Y.K	2007-9-21	linear	0.XX ±0.2	MM	0.3mm PITCH CONNECTOR FOR FPC	
C	ADD NEW P/N	J08-0064	Y.K	2008-2-12	0°±2'	0.XXX ±0.2	scale 1:5	YLL-U Series	
D	ADD NEW P/N	J08-0419	Y.K	2008-10-29	dr	Y.KAMEDA 2011-03-16		sheet 1 of 3	size
E	ADD H/F P/N	J11-0067	Y.K	2011-03-16	chr	Y.KAMEDA 2011-03-16		10064555	A3
					appd			Product Customer Drawing	Rev.
sheet index	revision sheet	E	E	E					E

PDM: Rev:E STATUS:Released Printed: Mar 17, 2011

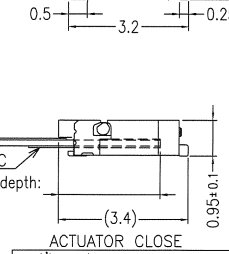
FCI FCIconnect.com Copyright FCI.

form: A3 1 2 3 4 5 6

PRODUCT NO.  
10064555-\*\*21\*\*LF



NOTE  
1.MATERIAL  
1)HOUSING:THERMOPLASTIC RESIN,UL94V-0, BLACK  
2)ACTUATOR:THERMOPLASTIC RESIN,UL94V-0, BEIGE  
3)CONTACT: COPPER ALLOY  
4)FIXING TAB: COPPER ALLOY  
2.FINISH  
1)CONTACT: ALL OVER Ni,(CONTACT AREA) Au FLASH. ,(SOLDER TAIL AREA) Au FLASH.  
2)FIXING TAB: ALL OVER Ni , Sn PLATING 1.5~3.5μm  
3.CO-PLANARITY: 0.1 MAX.  
4.THICKNESS OF A METAL MASK: 0.1mm  
5.FPC  
1)ADHESIVE METHOD OF SUPPORTING TAPE SHALL BE HEAT CRIMPING METHOD AND THERMOSETTING ADHESIVE MATERIAL SHALL BE USED.  
6.PRODUCT  
1)\* MARK ITEM IS REFERENCE.  
2)RECOMMENDED PCB LAYOUT and FPC ARE THE SAME AS 10061122-\*\*1110ELF(YLL-DOWN CONTACT TYPE).  
7.OTHER  
THIS PRODUCT MEETS EUROPEAN UNION DIRECTIVES AND OTHER COUNTRY REGULATIONS AS DESCRIBED IN GS-22-008

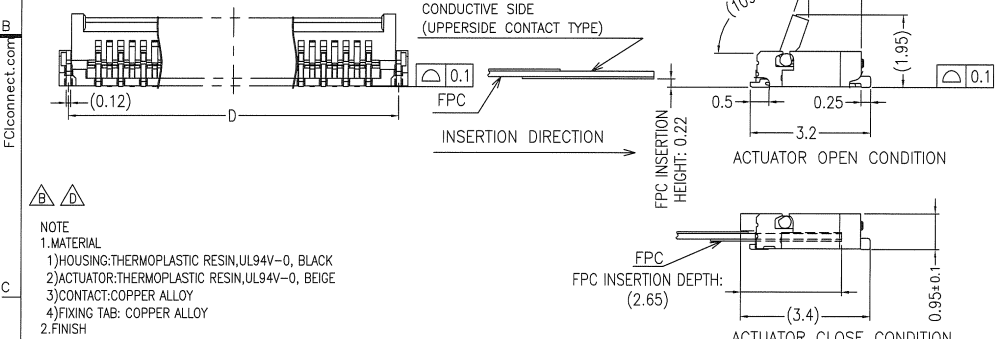
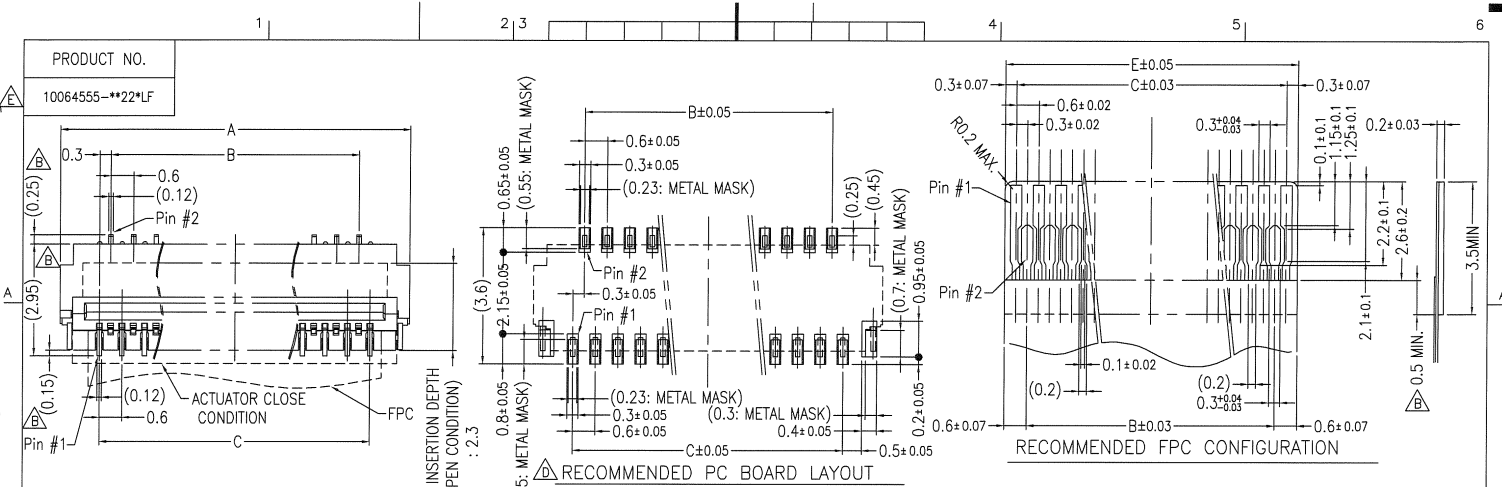


10064555-39211LF	13.5	10.8	11.4	13.0	12.3	11.7
10064555-39212HLF	12.3	9.6	10.2	11.8	11.1	10.5
10064555-35211LF	11.7	9	9.6	11.2	10.5	9.9
10064555-33211LF	11.1	8.4	9	10.6	9.9	9.3
10064555-25211LF	9.3	6.6	7.2	8.8	8.1	7.5
10064555-21211LF	8.1	5.4	6.0	7.6	6.9	6.3
10064555-15211LF	6.3	3.6	4.2	5.8	5.1	4.5

mat'l. code	description	ec n no	dr	date	surface	tolerance	projection	product family	CODE
---	---	---	---	---	ISO 1302	ISO 406 ISO 1101	MM	589F FLEX 0.3	JP
A	RELEASED	j06-0368	Y.K	09/06/08	angles	0.X ±0.2	MM	ASSEMBLY	
B	REVISED	j07-0472	Y.K	2007-9-21	linear	0.XX ±0.2	MM	0.3mm PITCH CONNECTOR FOR FPC	
C	ADD NEW P/N	j08-0064	Y.K	2008-2-12	0'±2'	0.XXX ±0.2	scale 10:1	YLL-U Series	
D	ADD NEW P/N	j08-0419	Y.K	2008-10-29	dr	Y.KAMEDA 2011-03-18			
E	ADD NEW P/N	j11-0067	Y.K	2011-03-18	chr	Y.KAMEDA 2011-03-18			
					appd	2011-3-16			

sheet index	revision sheet
-------------	----------------

PRODUCT NO.  
10064555-\*\*22\*LF



10064555-41221LF	14.1	11.4	12.0	13.6	12.6
10064555-39221LF	13.5	10.8	11.4	13.0	12.0
10064555-37221LF	12.9	10.2	10.8	12.4	11.4
10064555-33221LF	11.7	9	9.6	11.2	10.2
10064555-31221LF	11.1	8.4	9	10.6	9.6
10064555-27221LF	9.9	7.2	7.8	9.4	8.4
10064555-25221LF	9.3	6.6	7.2	8.8	7.8
10064555-23221LF	8.7	6	6.6	8.2	7.2
10064555-21221LF	8.1	5.4	6.0	7.6	6.6
10064555-15222HLF	8.1	5.4	6.0	7.6	6.6

**NOTE**  
 1. MATERIAL  
 1) HOUSING: THERMOPLASTIC RESIN, UL94V-0, BLACK  
 2) ACTUATOR: THERMOPLASTIC RESIN, UL94V-0, BEIGE  
 3) CONTACT: COPPER ALLOY  
 4) FIXING TAB: COPPER ALLOY  
 2. FINISH  
 1) CONTACT: ALL OVER Ni, (CONTACT AREA) Au FLASH, (SOLDER TAIL AREA) Au FLASH.  
 2) FIXING TAB: ALL OVER Ni, Sn PLATING 1.5~3.5μm  
 3) CO-PLANARITY: 0.1 MAX.  
 4) THICKNESS OF A METAL MASK: 0.1mm  
 5) FPC  
 1) ADHESIVE METHOD OF SUPPORTING TAPE SHALL BE HEAT CRIMPING METHOD AND THERMOSETTING ADHESIVE MATERIAL SHALL BE USED.  
 6. PRODUCT  
 1) RECOMMENDED PCB LAYOUT and FPC ARE THE SAME AS 10061122-\*\*1110ELF(YLL-DOWN CONTACT TYPE).  
 7. OTHER  
 THIS PRODUCT MEETS EUROPEAN UNION DIRECTIVES AND OTHER COUNTRY REGULATIONS AS DESCRIBED IN GS-22-008

mat'l. code	---	surface	ISO 1302	tolerance	ISO 406	projection	product family	CODE
ltr	description	ecn no	dr	date	tolerances unless otherwise specified	MM	589F FLEX 0.3	JP
A	RELEASED	J07-0472	Y.K	2007-9-21	angles	linear	ASSEMBLY	
B	REVISED	J08-0064	Y.K	2008-2-12	0°±2'	0.XX ±0.2	0.3mm PITCH CONNECTOR FOR FPC	
C	ONLY REV. UP		Y.K			0.XXX ±0.2	YLL-U Series	
D	REVISED	J08-0419	Y.K	2008-10-29	dr	Y.KAMEDA 2011-03-16	dwg no	sheet 3 of 3
E	ADD NEW P/N	J11-0067	Y.K	2011-03-16	enr	Y.KAMEDA 2011-03-16	10064555	A3
					chr	2011-03-16	type	Product Customer Drawing
					appd	2011-03-16	Rev.	
sheet index	revision sheet						E	

PDM: Rev:E STATUS: Released Printed: Mar 17, 2011

FCI  
FCIconnect.com

Copyright FCI