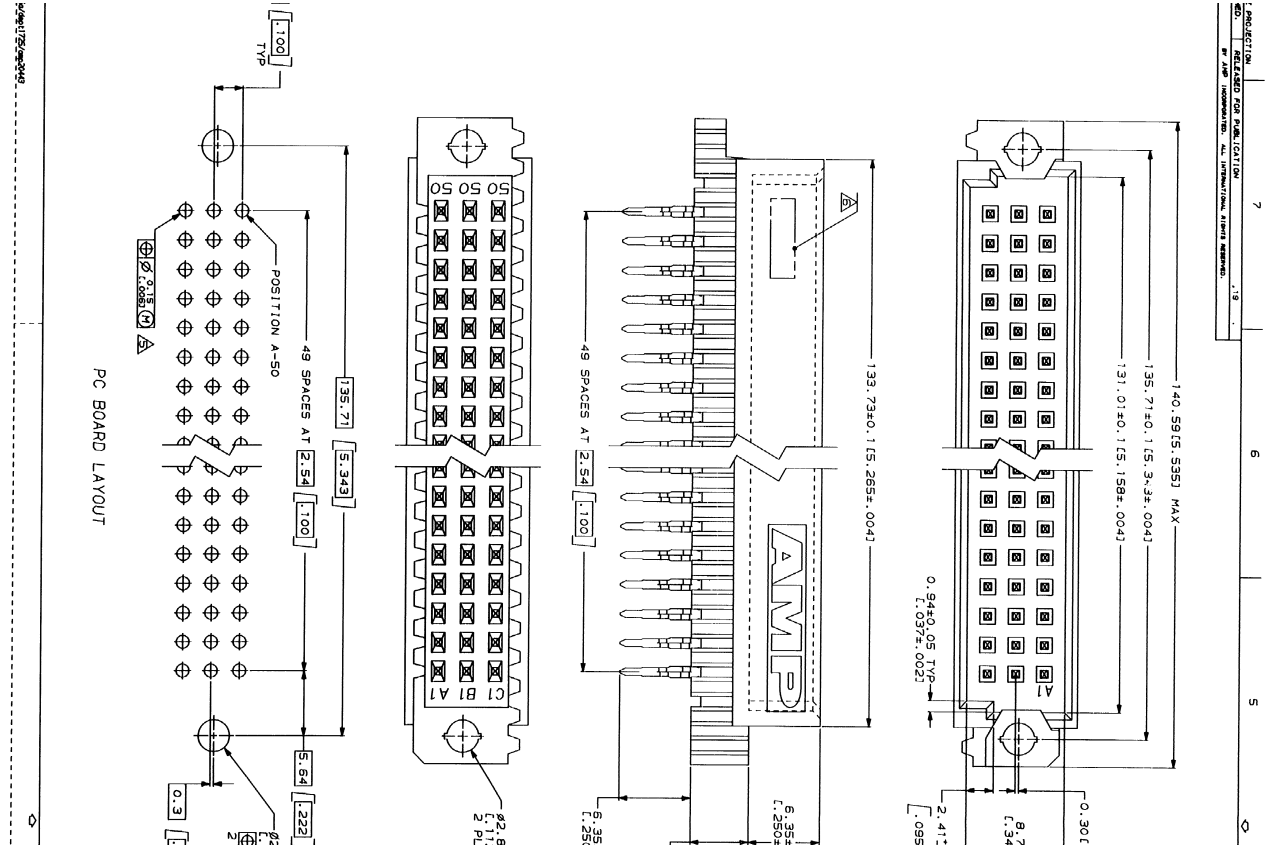
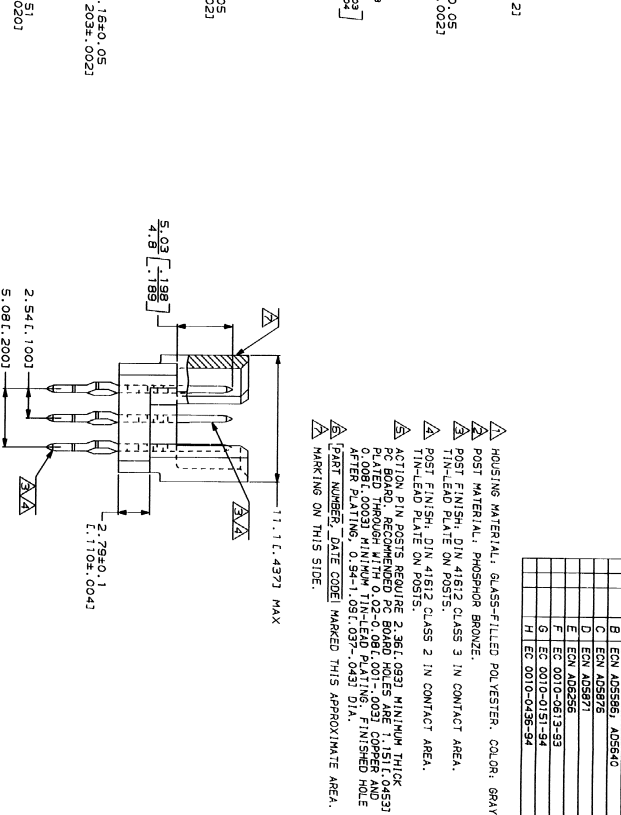
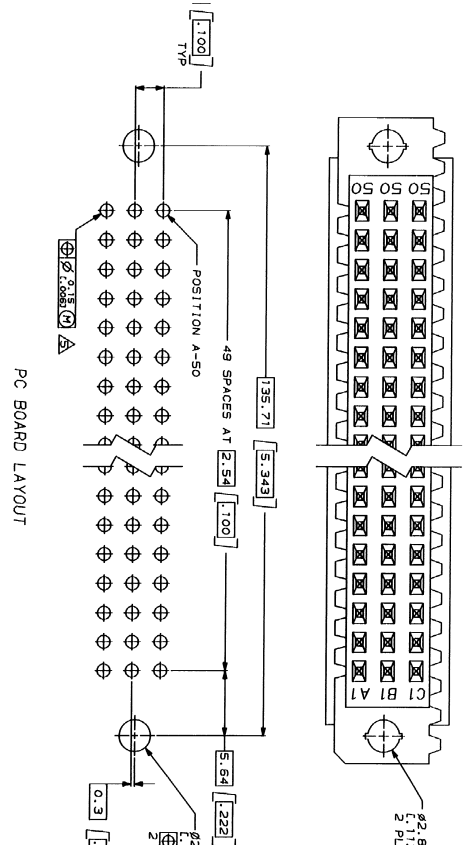
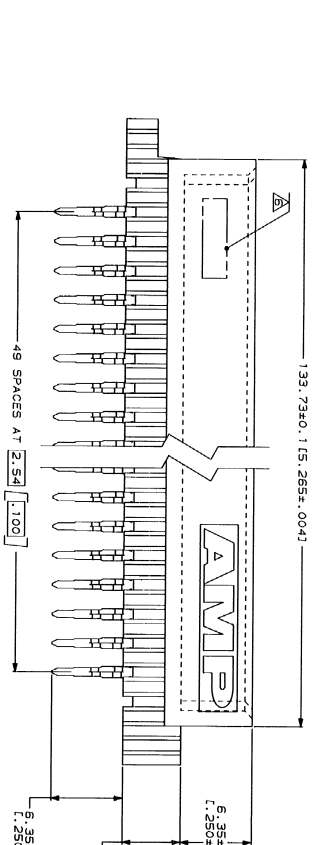
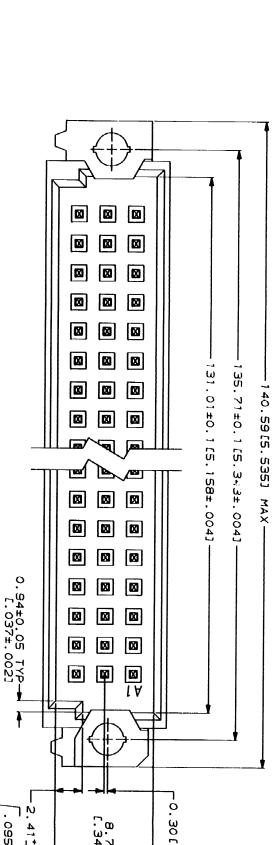


DATE	1/28/92
DESIGNED BY	LSB
DRAWN BY	LSB
CHECKED BY	LSB
DATE	2/7/94
DESIGNED BY	LSB
DRAWN BY	LSB
CHECKED BY	LSB



REV	DATE	BY	CHKD	DESCRIPTION
AD 25				



- △ HOUSING MATERIAL: GLASS-FILLED POLYESTER, COLOR: GRAY.
- △ POST MATERIAL: PHOSPHOR BRONZE.
- △ POST FINISH: DIN 41812, CLASS 3 IN CONTACT AREA.
- △ TIN-LEAD PLATE ON POSTS.
- △ POST FINISH: DIN 41812, CLASS 2 IN CONTACT AREA.
- △ TIN-LEAD PLATE ON POSTS.
- △ POSTS: IN POSTS REQUIRE 2.88(±.093) MINIMUM THICK PC BOARD PLATING.
- △ PC BOARD PLATING: IN POSTS REQUIRE 2.88(±.093) MINIMUM THICK PLATED THROUGH WITH 0.02(±.08) (L: .001) (L: .002) COPPER AND 0.08(±.003) MINIMUM TIN-LEAD PLATING. FINISHED HOLE AFTER PLATING: 0.34(±.09), 0.37(±.04) DIA.
- △ PART NUMBER DATE CODE MARKED THIS APPROXIMATE AREA.
- △ MARKING ON THIS SIDE.

DO NOT SCALE PRINT.	DR. L. BRINER	3/18/91
DIMENSIONS IN mm (INCHES)	CD. C. RIBENDALL	3/26/91
1.4 (0.055)		
2.0 (0.079)	APP. C. RIBENDALL	3/26/91
1.4 (0.055)		
APPROXIMATE SCALE	APP. R. PARKER	3/26/91

AMIP

AMP Incorporated

North Aurora, IL

Part Number: 9. 30

TYPE "R"

PIN ASSEMBLY, EURO

POST, △

APPLICATION SPEC.

SIZE 00779

SCALE 5:1

CUSTOMER