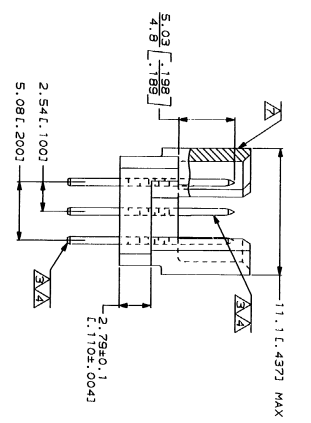


REV	DATE	DESCRIPTION	BY	CHK
0	11/17/81	LSB		
1	11/17/81	LSB		
2	11/17/81	LSB		
3	11/17/81	LSB		
4	11/17/81	LSB		
5	11/17/81	LSB		

- △ HOUSING MATERIAL: GLASS-FILLED POLYESTER, COLOR: GRAY.
- △ POST MATERIAL: BRASS.
- △ POST FINISH: DIN 41612 CLASS 3 IN CONTACT AREA.
- △ TIN-LEAD PLATE ON POSTS.
- △ POST FINISH: DIN 41612 CLASS 2 IN CONTACT AREA.
- △ TIN-LEAD PLATE ON POSTS.
- △ RECOMMENDED HOLE SIZE FOR MANUAL APPLICATION OF CONNECTOR ON TO PC BOARD.
- △ (PART NUMBER, DATE CODE) MARKED THIS APPROXIMATE AREA.
- △ MARKING ON THIS SIDE.



REV	DATE	DESCRIPTION	BY	CHK
0	11/17/81	LSB		
1	11/17/81	LSB		
2	11/17/81	LSB		
3	11/17/81	LSB		
4	11/17/81	LSB		
5	11/17/81	LSB		

REV	DATE	DESCRIPTION	BY	CHK
0	11/17/81	LSB		
1	11/17/81	LSB		
2	11/17/81	LSB		
3	11/17/81	LSB		
4	11/17/81	LSB		
5	11/17/81	LSB		

CUSTOMER DRAWING