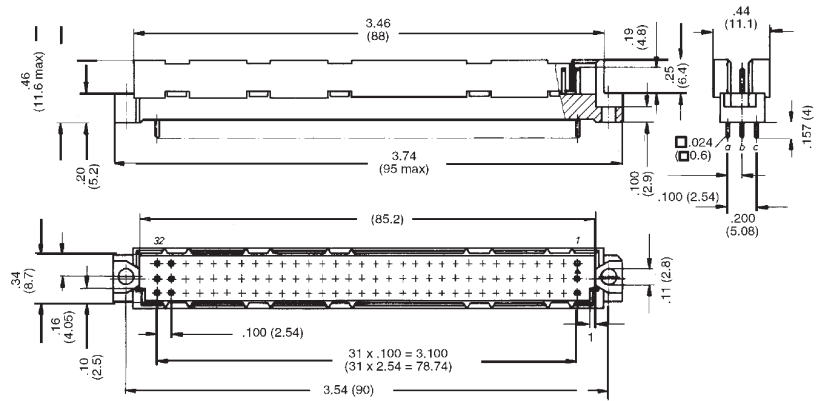
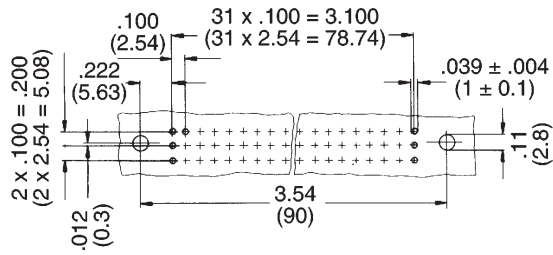


**Type R —
Series 130**

**64 and 96 Contact Inverse
Male Three Row Connectors**



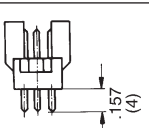
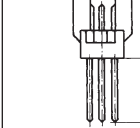
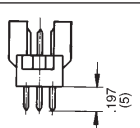
Printed Circuit Layout



Press-Fit Technical Specifications

| | |
|--------------------|---|
| Compliant Pin | |
| P.C.B. Thickness | .06 - .13 (1.6 - 3.2 mm) |
| Finished Hole Size | .037 - .043 (0.94 - 1.09 mm) |
| Drill Size | .045 ± .0004 (1.15 ^{±0.01} mm) |
| Copper | 100μ" 300μ" (25-76μm) |
| Tin-Lead | 30μ" (6μm min) |

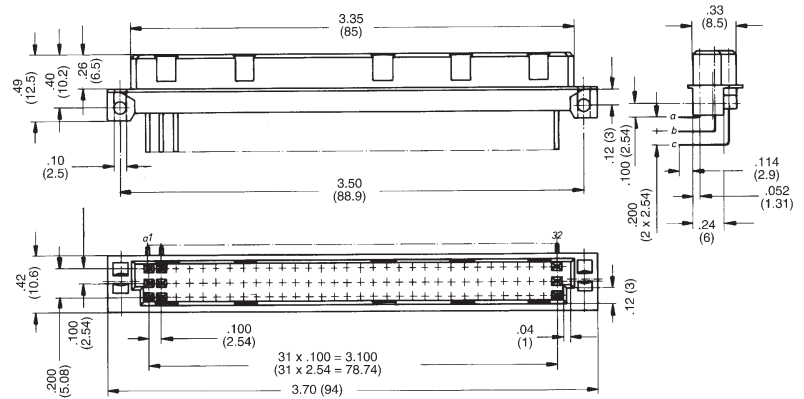
Part Numbers

| No. of Contacts | Contact Arrangement | Performance Level ³⁾ | Soldering | | Press-Fit | Press-Fit Insertion Die |
|-----------------|---------------------------------|---------------------------------|---|--|---|-------------------------|
| | | |  |  |  | |
| 64 | Row a + c | 2 | 130-964-133 | — | 130-964-332* | 200-022-013 |
| | | 3 | 130-964-153 | 130-964-151 | 130-964-352 | |
| 96 | Fully Equipped (Rows a + b + c) | 2 | 130-096-133 | 130-096-131 | 130-096-332 | |
| | | 3 | 130-096-153 | 130-096-151 | 130-096-352 | |

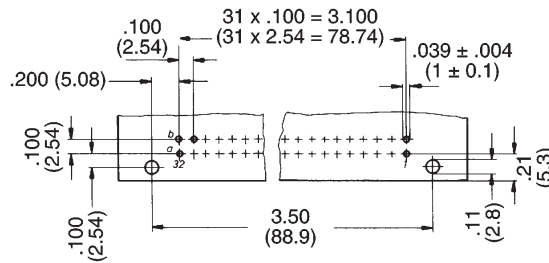
* Contact Factory for Availability

**Type R —
Series 130**

**64 and 96 Contact Inverse
Female Three Row
Connectors**



Printed Circuit Layout



Part Numbers

| No. of Contacts | Contact Arrangement | Performance Level | Termination Methods |
|-----------------|------------------------------------|-------------------|---------------------|
| | | | |
| 64 | Row a + c | 2 | 130-964-533 |
| | | 3 | 130-964-553 |
| 96 | Fully Equipped (Rows a + b + c) | 2 | 130-096-533 |
| | | 3 | 130-096-553 |