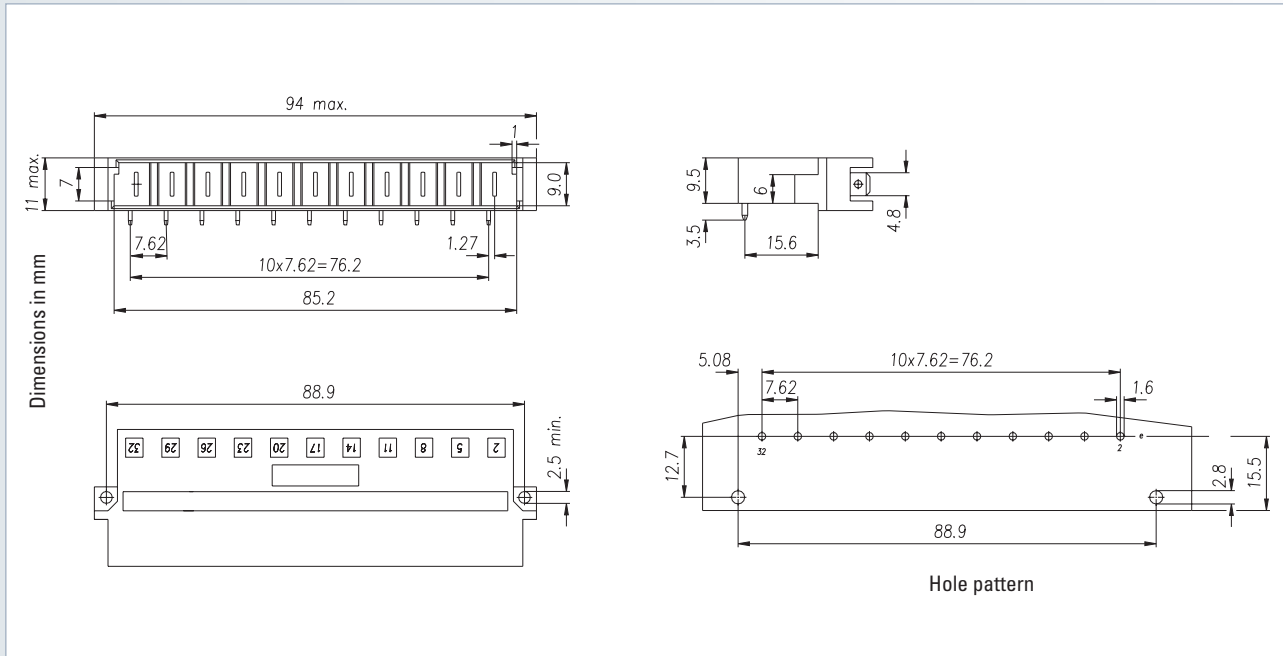


Connectors according to DIN 41612 / IEC 60603-2

Type H11

Male connector



No. of contacts	Pre-mating contact at position	Contact arrangement	Solder technology – Performance level II	
			Termination length	Part number
11	Without			113-40010
10+1	32			113-40015
9+2	2; 32			113-40020



Accessories

– Coding accessories (see page 160)