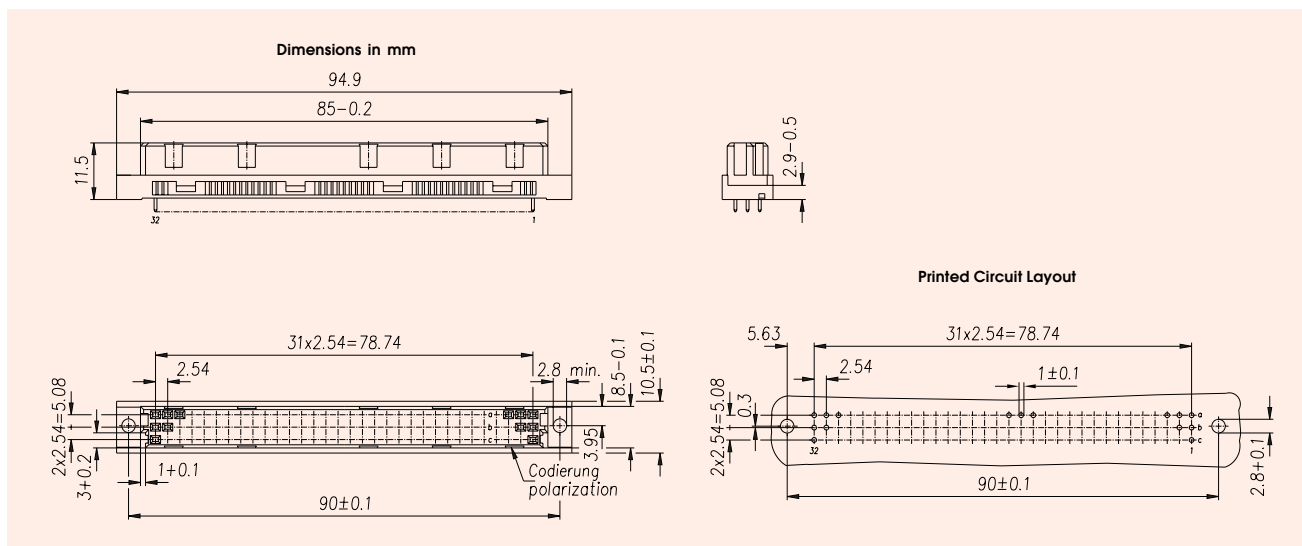
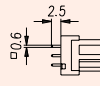
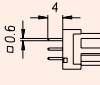
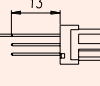
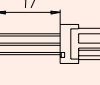
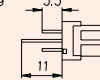


## Female Connectors Type C



| No. of Positions   |               | 32                  | 48                    | 64        | 96        |
|--|---------------|---------------------|-----------------------|-----------|-----------|
| Position   |               | Row a,c (2,4,6,...) | Row a,b,c (2,4,6,...) | Row a,c   | Row a,b,c |
| Termination Methods  | Quality Class | Part Numbers        |                       |           |           |
|                               | II            | 104-40014           | 104-40044             | 104-40054 | 104-40064 |
|                               | II            | 104-40015           | 104-40045             | 104-40055 | 104-40065 |
|  *                            | II            | 104-40016           | 104-40046             | 104-40056 | 104-40066 |
|  *                            | II            | 104-40194           | 104-40144             | 104-40154 | 104-40174 |
| hand soldering connection<br> | II            | -                   | -                     | 104-40115 | 104-40075 |

On request: \* Terminals Au/Ni Part No. 104-45... — with/without mounting flange — Terminal pin  $\varnothing$  0,65 mm — other pin length — other quality class