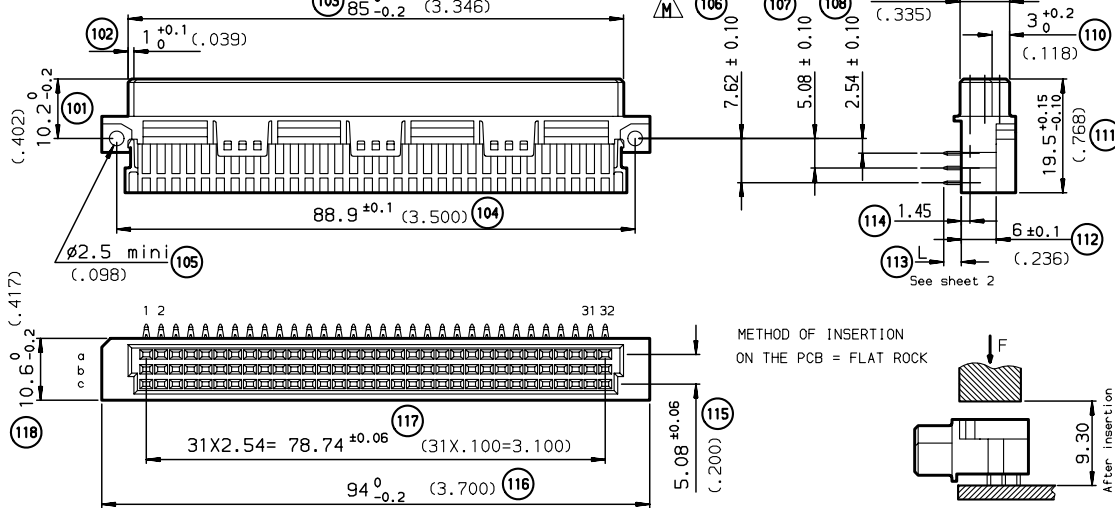


DIMENSIONS mm (inches)



Recommended accessory :
 Loaded connectors with less than 64 cts require fixings with self-winding screws part number : 4514327

TIN LEAD	LEAD FREE	
8609 396 88 94 755 000 E3	8609 396 88 94 755 E3 LF	Style R receptacle, 96 Position, press fit, class 2
8609 396 88 94 765 000 E3	8609 396 88 94 765 E3 LF	Style R receptacle, 96 Position, press fit, class 1
8609 464 88 94 755 000 E3	8609 464 88 94 755 E3 LF	Style R receptacle, 64 Position, press fit, class 2
8609 464 88 94 765 000 E3	8609 464 88 94 765 E3 LF	Style R receptacle, 64 Position, press fit, class 1

Application specific part-numbers: See sheet 2

GENERAL CHARACTERISTICS AND ROHS INFORMATIONS:
 SEE DRAWING C-8609-0000C

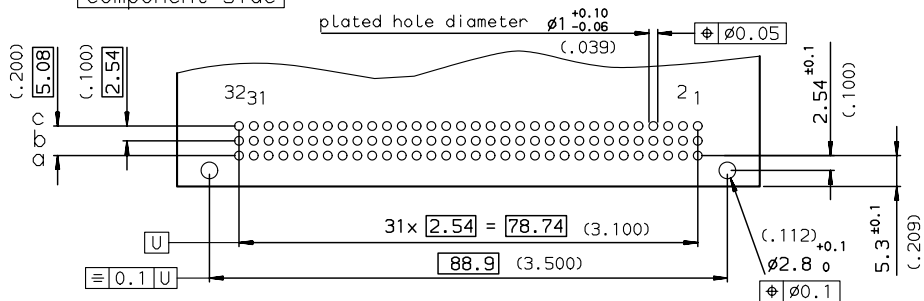
rev	ecn no	dr	date
J	-	ROU	2002/08/30
K	LS05-004	JTA	2005/02/25
L	LS06-0097	LGO	2006/07/25
M	LS07-0297	HLE	2007/11/19
-	-	-	-
-	-	-	-

www.fciconnect.com		surface ISO 1302	tolerance std ISO 406 ISO 1101	projection mm
Dr ROUILLARD 1993/05/01		TOLERANCES UNLESS OTHERWISE SPECIFIED		mm
Eng TARON 1993/05/01	ANGULAR	0.X	±0.1	Scale 1.5
Chr LEGARE 1993/05/01	LINEAR	0.XX	±0.1	size A3
Appr LEGARE 1993/05/01	0.XX ±2'	0.XXX	±0.1	ECN LS07-0297
Product family		DIN 8609		Spec ref -
Title RIGHT ANGLE RECEPTACLE - STYLE R		dwg no C-8609-0369	Rev. M	
catLog no		SEE TABLE	CUSTOMER sheet 1 of 2	

PART NUMBER	8609	□	□	88	□	7	□	5	□
PIN OUT	rows a-b-c	=====	=====	=====	=====	=====	=====	=====	=====
	rows a-c	=====	=====	=====	=====	=====	=====	=====	=====
	rows a-b	=====	=====	=====	=====	=====	=====	=====	=====
NUMBER OF CONTACTS									
TERMINATION	L = 3.00 ±0.20 (.118)	-----	-----	-----	-----	-----	-----	-----	-----
									94
PERFORMANCE CLASS									
	DIN 41612 class 3	-----	-----	-----	-----	-----	-----	-----	4
	DIN 41612 class 2	-----	-----	-----	-----	-----	-----	-----	
	DIN 41612 class 1	-----	-----	-----	-----	-----	-----	-----	
TERMINATION TYPE									
TIN LEAD									: 000E3
LEAD FREE									: E3LF

PCB LAYOUT

component side



GENERAL CHARACTERISTICS AND ROHS INFORMATIONS:

SEE DRAWING C-8609-0000C

European Views

www.fciconnect.com		surface ISO 1302	tolerance std ISO 406 ISO 1101	projection	mm
TOLERANCES UNLESS OTHERWISE SPECIFIED					
Dr	ROUILLARD	1993/05/01	ANGULAR	size	Scale
Eng	TARON	1993/05/01	LINEAR	A3	1.5
Chr	LEGARE	1993/05/01	0.11 ± 2°	ECN	LS07-0297
Appr	LEGARE	1993/05/01	0.11 ± 2°	Product family	DIN 8609 Spec ref -
FCI		title RIGHT ANGLE RECEPTACLE - STYLE R		Rev.	
catalog no		-		Rev.	M
		drawing no		C-8609-0369	
				CUSTOMER	sheet 2 of 2

REV F - 2006-04-17

PDM: Rev:M STATUS:Released Printed: Sep 24, 2010