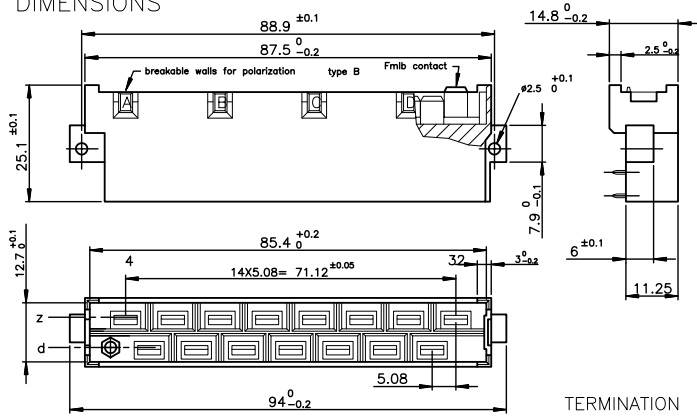


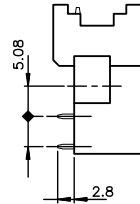


Copyright FCI

DIMENSIONS



TERMINATION



ELECTRICAL DATA

- Current at AMB: 15 A at 20° / 10 A at 70°
- Contact resistance: ?8m? according to DIN 41640 Teil 4 test 2a
- Insulation resistance: *10⁴M? according to DIN 41640 Teil 7 test 3a
- TEST VOLTAGE: according to DIN 41640 Teil 21
- contact/contact: 3100 V
- contact/ground: 3100 V
- grounding pin position: Z 32

MECHANICAL DATA

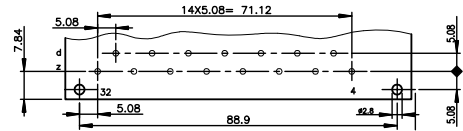
- Insertion force: ?90N
- Mechanical endurance: 500 matings/unmatings according to DIN41640 Teil 21
- Material insulator: Polycarbonate UL94V0
- Material contacts: Copper alloy
- Finishing contact surface: Silver or Lead Free
- Finishing termination: Silver or Lead Free
- Shock: ?16m? according to DIN 41640 Teil 14 test 6c
- Vibration: 10-2000Hz/20g according to DIN 41640 Teil 15

ENVIRONMENTAL DATA

- Climatic category: According to DIN 41612 - class 1
- Corrosion: According to DIN 41612 - class 1

PERFORMANCES AS PER DIN 41612 STYLE H 15 CLASS 1

P.C. CARD DRILLING (scale 1.2)



NOTE RoHS INFORMATION

- The "LF" products meet European Union Directives and other country regulations as described in GS-22-008.
- The housing will withstand exposure to 260°C peak temperature for 3.5 seconds in a wave solder application with a 1.6mm minimum thick circuit board.
- For the right angled versions, like the current leaded versions, it's recommended to use high temperature adhesive or metallic devices, to protect the nearest plastic part in contact with of the solder wave, to avoid any visual plastic deterioration.

European Views

www.fciconnect.com		surface	tolerance std	projection	mm
		ISO 1302	ISO 406 ISO 110		
		TOLERANCES UNLESS OTHERWISE SPECIFIED			
Dr	L.GOISNARD	2005/12/13	ANGULAR	0.X	±0.1
Eng	L.GOISNARD	2005/12/13	LINEAR	0.XX	±0.1
Chr	P.LEGARE	2005/12/13	0.XX	0.XXX	±0.1
Appr	P.LEGARE	2005/12/13	Product family		DIN POWER
				size	A3
				ECN	F10-0214
				Spec ref	-
				eng no	C01-5159-0017
MALE CONNECTOR 2 ROW 15 CONTACTS catalog no				Rev.	H
				CUSTOMER	sheet 1 of 1

LEAD-FREE PART-NUMBER	5159	029	15	23	LF
STYLE	H				
NUMBER OF CONTACTS	15				
TERMINATION	Angled spalls				
PLATING	Silver over nickel				
	Lead-free over nickel				
	660				
	440				
LEAD-FREE					

rev	ecn no	dr	date
C	LS05-0118	MPE	2005/12/13
D	LS06-0022	LGO	2006/02/21
E	LS06-0095	LGO	2006/06/26
F	LS07-0172	LGO	2007/06/18
G	LS07-0288	LGO	2007/11/19
H	F10-0214	APA	2010/10/01

REV F - 2008-04-17

PDM: Rev:H

STATUS Released

Printed: Oct 07, 2010