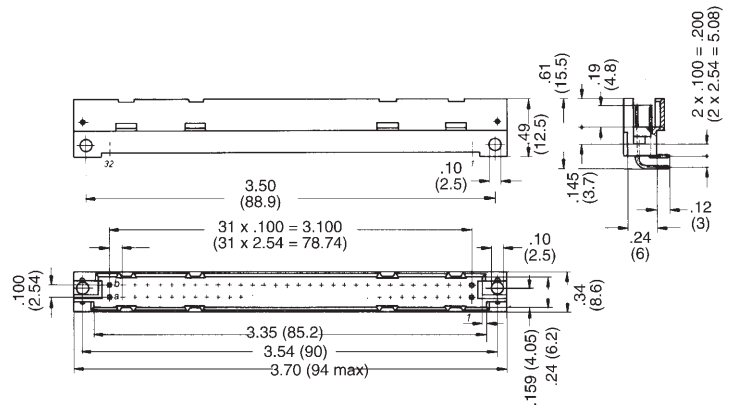
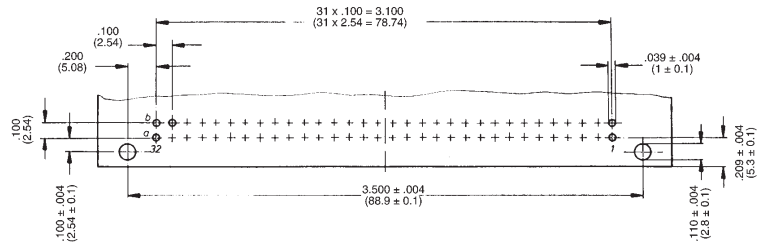


**Type B—  
Series 120**

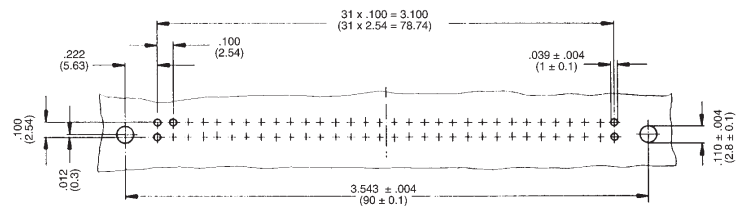
**64 Contact Male Connectors  
— Two Row**



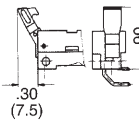
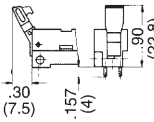
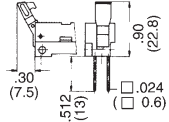
**Printed Circuit Layout / Dip Solder Angled**



**Printed Circuit Layout / Dip Solder Straight**



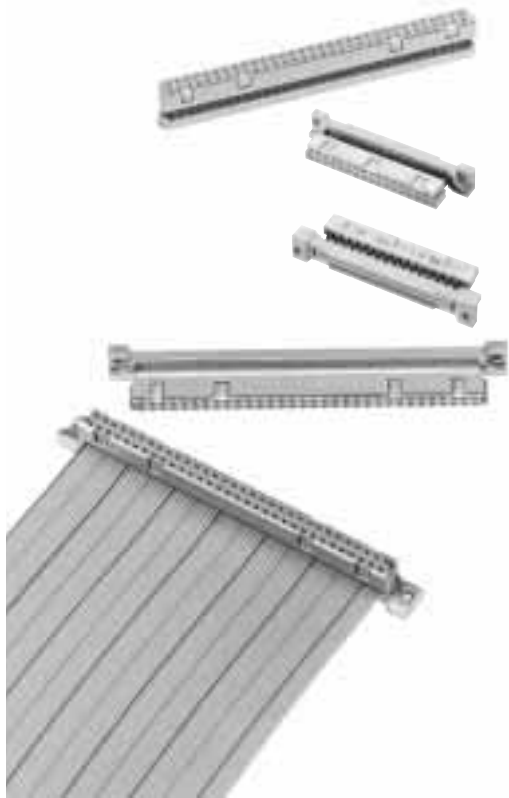
**Part Numbers**

No. of Contacts	Performance Level	Style		
				
		Dip Solder Angled	Dip Solder Straight	Wire Wrap
64	2	120-064-033A	120-064-133A*	120-064-131A*
64	3	120-064-053A	120-064-153A	120-064-151A

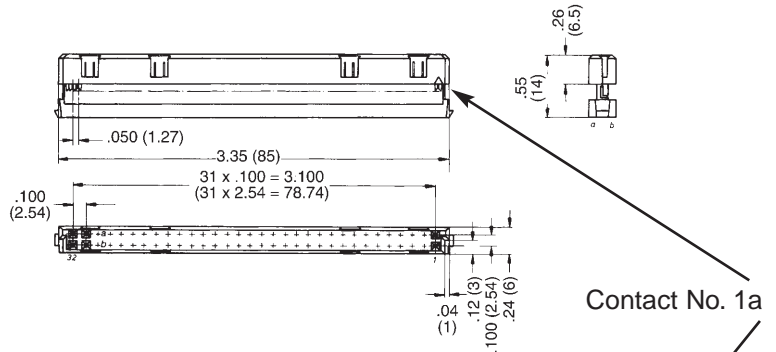
\* Contact Factory For Availability

**Type B and Series 120**

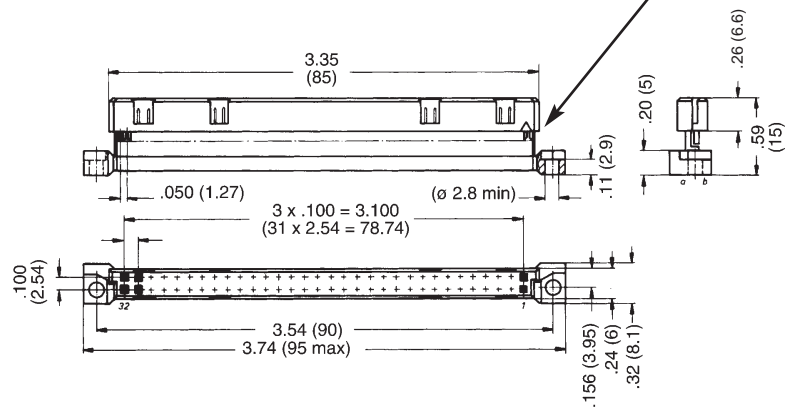
**64 Contact IDC Female Connectors—  
Two Row**



**Without Mounting Flange**



**With Mounting Flange**



**Part Numbers**

No. of Contacts	Performance Level	Termination Methods	
		Through Connector	Through Connector with Mounting Flange
64	2	120-064-435	120-064-435F