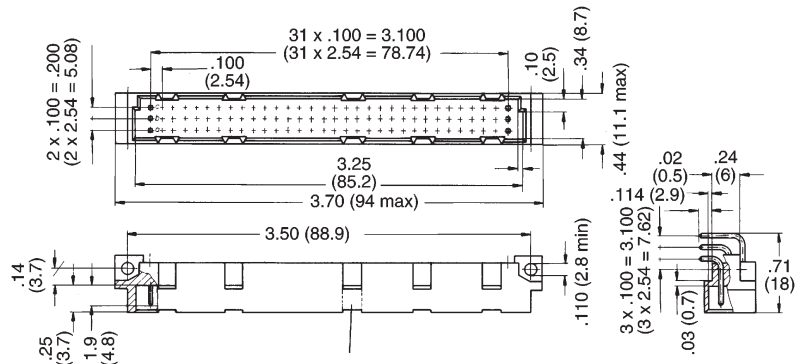
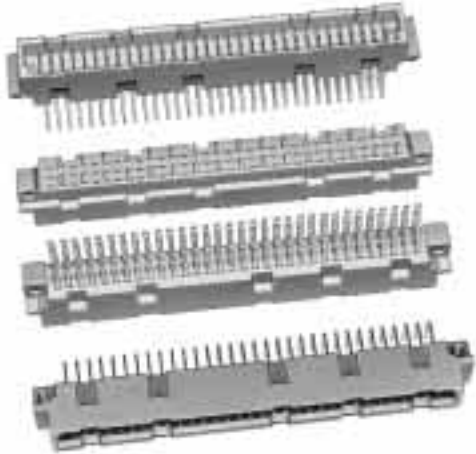
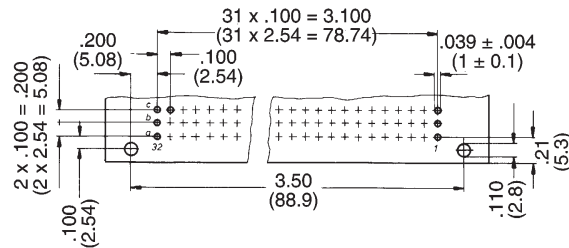


**Type C —
Series 100**

**32, 64 and 96 Contact Male
Connectors — Three Row**



Printed Circuit Layout

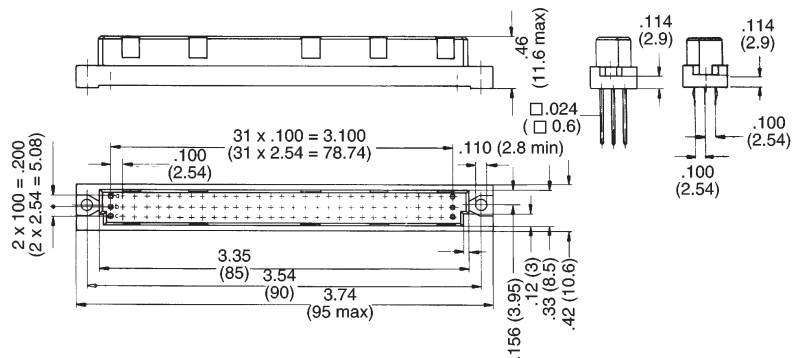


Part Numbers

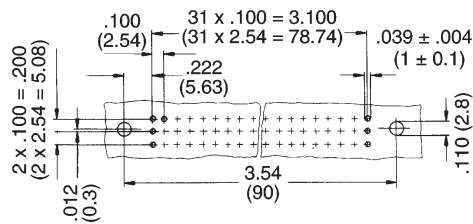
No. of Contacts	Contact Arrangement	Performance Level	Termination Methods				
32	Row a + c All Even Numbers	2	100-932-033	—	—	—	—
		3	100-932-053	—	—	—	—
64	Row a + c	2	100-964-033	100-964-133	—	—	—
		3	100-964-053	100-964-153	—	—	—
96	Fully Equipped	2	100-096-033	100-096-133	100-096-131	100-096-031	100-096-134
		3	100-096-053	100-096-153	100-096-151	100-096-051	100-096-154

**Type C —
Series 100**

**32, 64 and 96 Contact
Female Connectors —
Three Row**



Printed Circuit Layout - Straight Tail Version



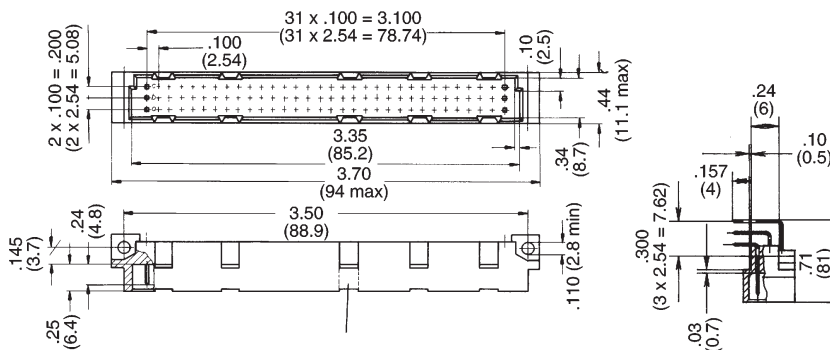
Part Numbers

No. of Contacts	Contact Arrangement	Performance Level	Termination Methods						
32	Row a + c	2	100-932-431*	100-932-432	—	—	100-932-434	100-932-533	—
	All Even Numbers	3	100-932-451	100-932-452	—	—	100-932-454	—	—
64	Row a + c	2	100-964-431	100-964-432	100-964-433	100-964-439	100-964-434	100-964-533	—
		3	100-964-451	100-964-452	100-964-453	100-964-459	100-964-454	—	—
96	Fully Equipped	2	100-096-431	100-096-432	100-096-433	100-096-439	100-096-434	100-096-533	100-096-633*
		3	100-096-451	100-096-452	100-096-453	100-096-459	100-096-454	100-096-553*	100-096-653*

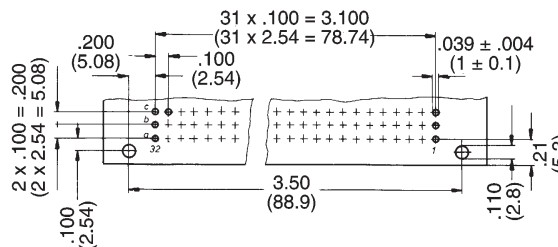
* Contact Factory For Availability ** Printed Circuit Layout On Page 63

**Type C —
Series 100**

**Press Fit
96 Contact Male Connectors
Three Row***



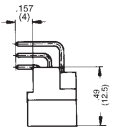
Printed Circuit Layout



Press-Fit Technical Specifications

Compliant Pin	
P.C.B. Thickness	.06 - .13 (1.6 - 3.2 mm)
Finished Hole Size	.037 - .043 (0.94 - 1.09 mm)
Drill Size	.045 ± .0004 (1.15±0.01 mm)
Copper	100µ" 300µ" (25-76µm)
Tin-Lead	30µ" (6µm min)

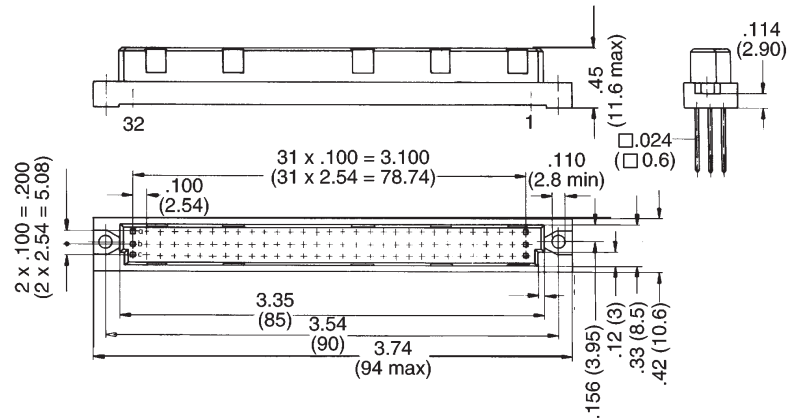
Part Numbers

No. of Contacts	Contact Arrangement	Performance Level	Press-Fit	
				Press-Fit Insertion Die
96	Fully Equipped	2	100-096-232*	200-022-020
		3	100-096-252*	

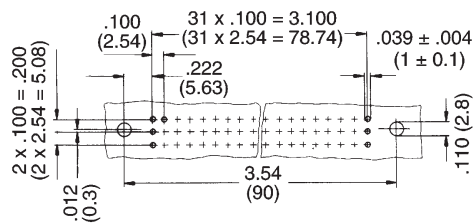
* Contact Factory for Availability

**Type C —
Series 100**

**Press Fit
64 and 96 Contact Female
Connectors — Three Row**



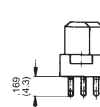
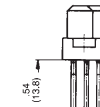
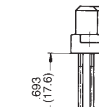
Printed Circuit Layout



Press-Fit Technical Specifications

Compliant Pin	
P.C.B. Thickness	.06 - .13 (1.6 - 3.2 mm)
Finished Hole Size	.037 - .043 (0.94 - 1.09 mm)
Drill Size	.045 ± .0004 (1.15 ^{±0.01} mm)
Copper	100μ" 300μ" (25-76μm)
Tin-Lead	30μ" (6μm min)

Part Numbers

No. of Contacts	Contact Arrangement	Performance Level	Press-Fit			Press-Fit Insertion Die
						
64	Row a + c	2	100-964-932	100-964-931*	—	200-022-074
		3	100-964-952	100-964-951*	—	
96	Fully Equipped	2	100-096-932	100-096-931	100-096-939	
		3	100-096-952	100-096-951	100-096-959	

* Contact Factory for Availability