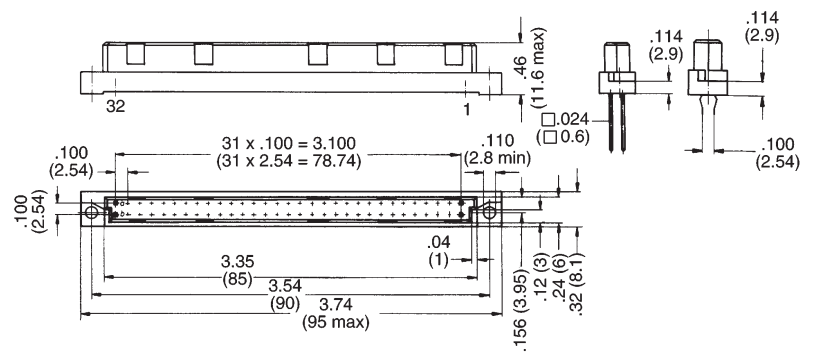
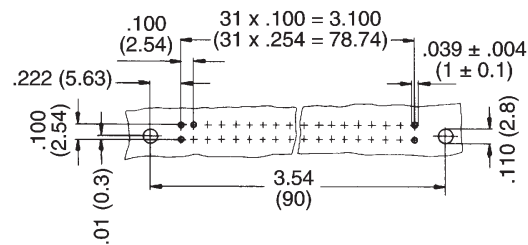


**Type B —
Series 100**

**32 and 64 Contact Female
Connectors — Two Row**



Printed Circuit Layout - Straight Tail Version



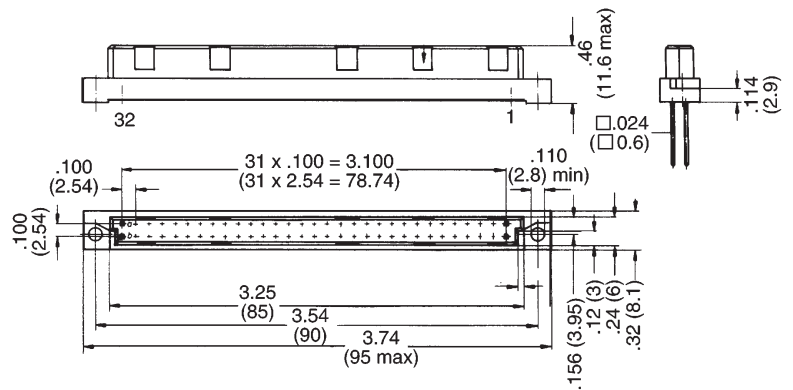
Part Numbers

No. of Contacts	Contact Arrangement	Performance Level	Termination Methods					
32	Row a + b All Even Numbers	2	—	—	100-532-433	—	—	—
		3	—	—	100-532-453*	—	—	—
64	Fully Equipped	2	100-064-431	100-064-432	100-064-433	100-064-439*	100-064-434*	100-064-533
		3	100-064-451	100-064-452	100-064-453	100-064-459	100-064-454*	100-064-553

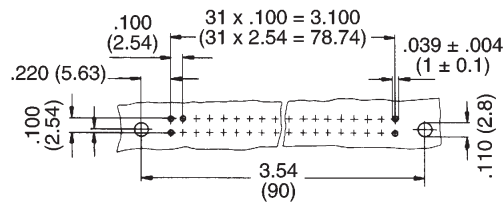
* Contact Factory For Availability ** Printed Circuit Layout On Page 68

**Type B —
Series 100**

**Press-Fit
64 Contact Female
Connectors — Two Row**



Printed Circuit Layout



Press-Fit Technical Specifications

Compliant Pin	
P.C.B. Thickness	.06 - .13 (1.6 - 3.2 mm)
Finished Hole Size	.037 - .043 (0.94 - 1.09 mm)
Drill Size	.045 ± .0004 (1.15 ^{±0.01} mm)
Copper	100μ" - 300μ" (25-76μm)
Tin-Lead	30μ" (6μm min)

Part Numbers

No. of Contacts	Contact Arrangement	Performance Level	Press-Fit			Press-Fit Insertion Die
64	Fully Equipped	2	100-064-932	100-064-931*	—	—
		3	100-064-952	100-064-951*	—	200-022-081

* Contact Factory For Availability