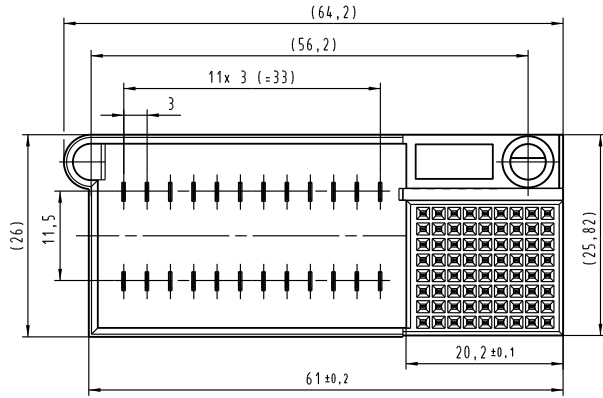
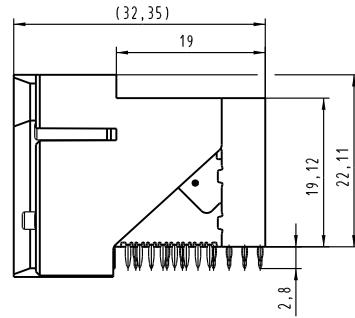


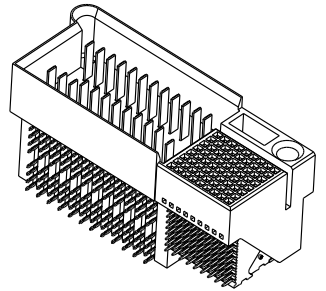
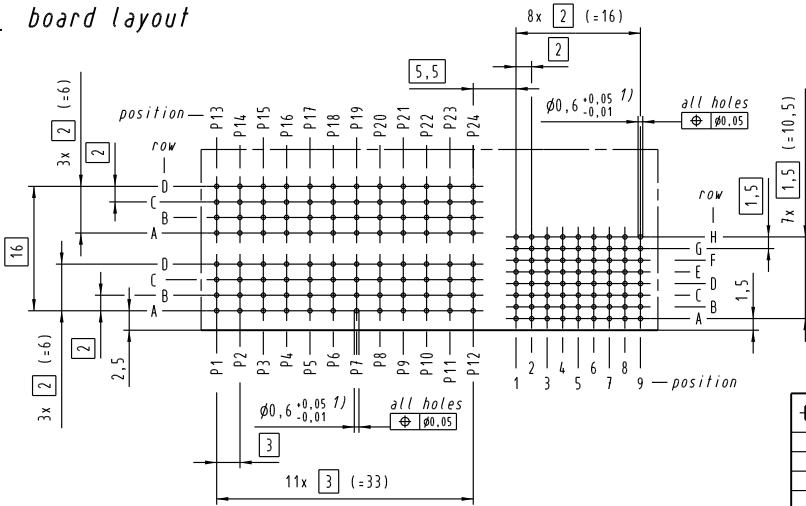
Alle Rechte vorbehalten. All rights reserved.



view X



board layout



1) drill hole diameter: $\phi 0,7 \pm 0,02$ mm

1) through hole diameter (after plating): $\phi 0,6^{+0,05}_{-0,01}$ mm

All dimensions in mm Original Size DIN A 3	Techn. Character.			Nicht tolerierte Maß/Free size tolerances																					
	<table border="1"> <tr> <td>Defail.</td> <td>09.11.06</td> <td>Hl.</td> </tr> <tr> <td>Insp.</td> <td>09.11.06</td> <td>Ko</td> </tr> <tr> <td>Stand.</td> <td></td> <td></td> </tr> </table>	Defail.	09.11.06	Hl.	Insp.	09.11.06	Ko	Stand.			<table border="1"> <tr> <td>Mod.</td> <td>33904</td> </tr> <tr> <td>Dat.</td> <td></td> </tr> <tr> <td>Name</td> <td></td> </tr> </table>	Mod.	33904	Dat.		Name		<table border="1"> <tr> <td> </td> <td> HARTING Electronics GmbH & Co. KG D-32339 ESPELKAMP </td> </tr> </table>		HARTING Electronics GmbH & Co. KG D-32339 ESPELKAMP	<table border="1"> <tr> <td> Maßstab/Scale 2:1 </td> <td> MicroICA module power connector 96 pole, press-fit </td> </tr> </table>	Maßstab/Scale 2:1	MicroICA module power connector 96 pole, press-fit	<table border="1"> <tr> <td> TB 16 34 096 1101 000 </td> <td> Blatt/ page 7 </td> </tr> </table>	TB 16 34 096 1101 000
Defail.	09.11.06	Hl.																							
Insp.	09.11.06	Ko																							
Stand.																									
Mod.	33904																								
Dat.																									
Name																									
	HARTING Electronics GmbH & Co. KG D-32339 ESPELKAMP																								
Maßstab/Scale 2:1	MicroICA module power connector 96 pole, press-fit																								
TB 16 34 096 1101 000	Blatt/ page 7																								