



PCIE-064-02-F-D-RA

PCIE-098-02-F-D-EM2

PCIE-036-02-F-D-TH

# PCI EXPRESS® CONNECTOR PCIE SERIES

## SPECIFICATIONS

For complete specifications and recommended PCB layouts see [www.samtec.com?PCI](http://www.samtec.com?PCI)

**Insulator Material:**

Black Nylon  
**Contact:**  
 Phosphor Bronze



**Plating:**

Au or Sn over  
 50µ" (1,27µm) Ni  
**Current Rating:**  
 Testing Now!

**Operating Temp:**

-55°C to +125°C  
**Card Insertion**

**Depth:**

(8,00mm) .315" nominal

**RoHS Compliant:**

Yes

**Processing:**

**Max Processing Temp:**

230°C for 60 seconds

**Lead-Free Solderable:**

Wave only

Mates with:  
 .062" (1,60mm) Card



Polarized  
 Supports one, four, eight and sixteen PCI Express® links

Alignment pins

Four rows on 2mm pitch

(1,00mm)  
 .03937" pitch

Accepts 1,6mm card

Choice of card – edge mount or PCB mount

## APPLICATION SPECIFIC OPTION

Other plating options available.  
 Call Samtec.

PCIE

NO. OF POSITIONS

02

PLATING OPTION

D

TAIL OPTION

-036, -064, -098, -164

-F

= Gold flash on contact, Tin on tail

-EM2

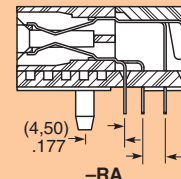
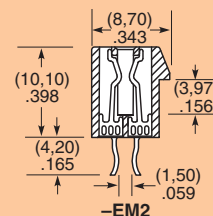
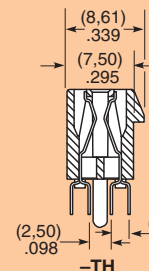
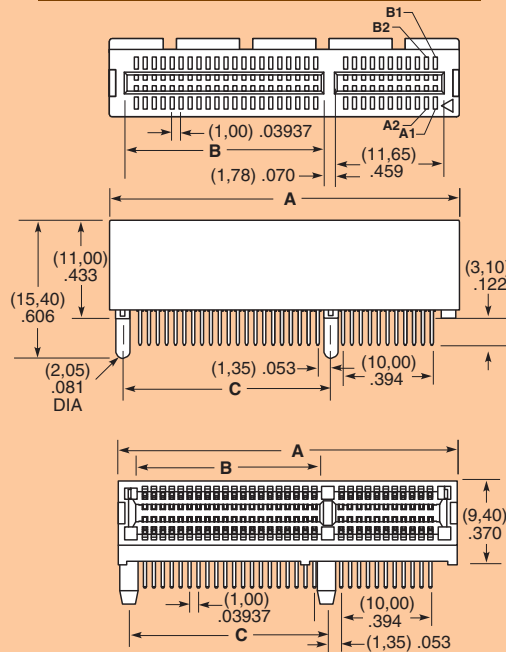
= Edge Mount

-TH

= Through-hole

-RA

= Right Angle



POSITIONS	A	B	C
-036 (X1)	(25,00) .984	(7,65) .301	(9,15) .360
-064 (X4)	(39,00) 1.535	(21,65) .852	(23,15) .911
-098 (X8)	(56,00) 2.205	(38,65) 1.522	(40,15) 1.581
-164 (X16)	(89,00) 3.504	(71,65) 2.821	(73,15) 2.880

PCI Express® is a registered trademark of PCI-SIG

**Note:** Some lengths, styles and options are non-standard, non-returnable.

Due to technical progress, all designs, specifications and components are subject to change without notice.

[WWW.SAMTEC.COM](http://WWW.SAMTEC.COM)

SAMTEC USA • Tel: 1-800-SAMTEC-9 or 812-944-6733 • Fax: 812-948-5047

SAMTEC GERMANY • Tel: +49 (0) 89 / 89460-0 • Fax: +49 (0) 89 / 89460-299

SAMTEC NORDIC/BALTIC • Tel: +46-84477280 • Fax: +46-87420413

SAMTEC ASIA PACIFIC • Tel: 65 6745-5955 • Fax: 65 6841-1502

SAMTEC HONG KONG • Tel: 852 2690 4851 • Fax: 852 2690 4842

SAMTEC SILICON VALLEY • Tel: 408-395-5900 • Fax: 408-395-1520

SAMTEC FRANCE • Tel: 33 01 60 95 06 60 • Fax: 33 01 60 95 06 61

SAMTEC ISRAEL • Tel: 972-3-7526600 • Fax: 972-3-7526690

SAMTEC JAPAN • Tel: 045-475-1385 • Fax: 045-475-1340

SAMTEC KOREA • Tel: 82-31-717-5685 • Fax: 82-31-717-5681

SAMTEC SOUTH AFRICA • Tel: 27 11 452 8112 • Fax: 27 11 452 8112

SAMTEC CHINA • Tel: 86-21-61103766 • Fax: 86-21-5423 4575

SAMTEC INDIA • Tel: +91-80-3272 1612 • Fax: +91-80-4152 8187

SAMTEC TAIWAN • Tel: 886-2-2735-6109 • Fax: 886-2-2735-5036

SAMTEC ANZ • Tel: 613 9512 7747 • Fax: 613 9512 7745

SAMTEC UK • Tel: 44 01236 739292 • Fax: 44 01236 727113

SAMTEC ITALY • Tel: 39 039 6890337 • Fax: 39 039 6890315

SAMTEC SOUTH AFRICA • Tel: 27 11 452 8112 • Fax: 27 86 6714432

SAMTEC TAIWAN • Tel: 886-2-2735-6109 • Fax: 886-2-2735-5036

SAMTEC ANZ • Tel: 613 9512 7747 • Fax: 613 9512 7745