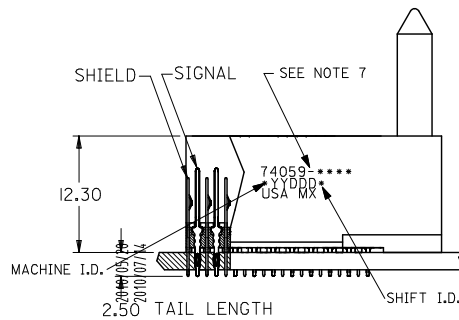
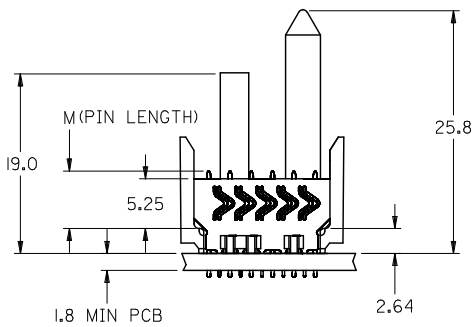
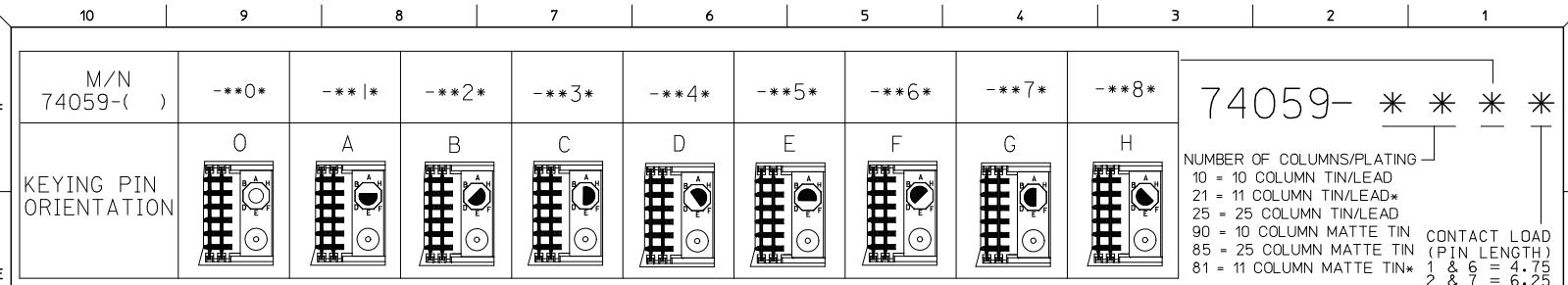


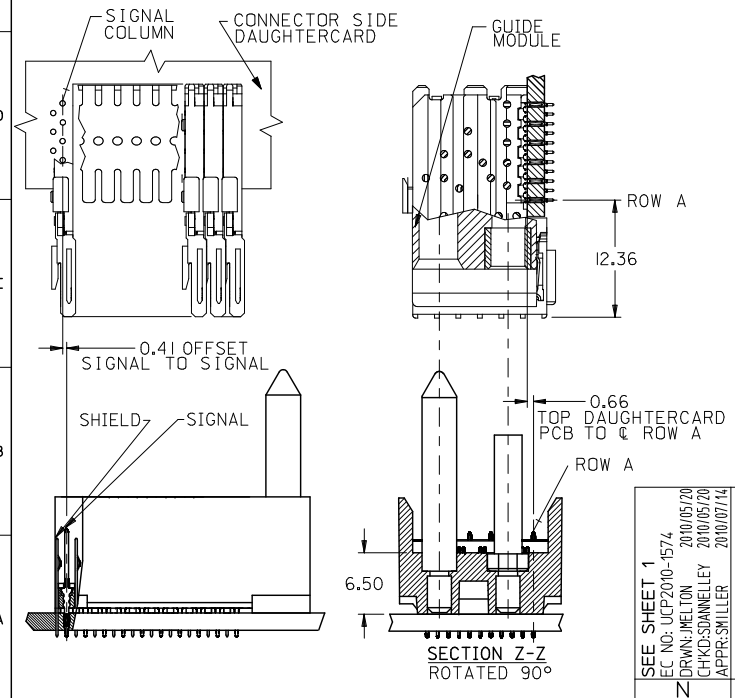
- NOTES:
- MATERIALS:
HOUSING - LIQUID CRYSTAL POLYMER (LCP),
GLASS-FILLED, UL 94V-0, COLOR: BLACK
SIGNAL PIN & SHIELD - COPPER ALLOY
 - FINISHES:
CONTACT AREA: SELECTIVE GOLD (Au)
PCB TAILS: SELECTIVE TIN/LEAD (Sn/Pb)
OR SELECTIVE MATTE TIN (Sn)
NICKEL (Ni) OVERALL.
 - THIS PART CONFORMS TO MOLEX PRODUCT SPECIFICATION PS-74031-999
 - FOR MIXED CONTACT LENGTHS CONSULT MOLEX FOR AVAILABILITY
 - FOR SPECIFIC MATERIAL NUMBERS & MATING INFORMATION REFER TO SHEET 2 AND 3
 - PACKAGE PER PK-74058-003
 - MARK PART WITH PART NUMBER & DATE CODE APPROXIMATELY WHERE SHOWN



UPDATE VIEWS - HSG KEY SLOT EC NO: UCP2010-1574 DRWN: JELTON 2010/05/20 CHKD: SDANNELLEY APPR: SMILLER	QUALITY SYMBOLS ▽=0 ▽=0 ▽=0	GENERAL TOLERANCES (UNLESS SPECIFIED)		DIMENSION STYLE MM ONLY		SCALE 2.5:1	DESIGN UNITS METRIC	THIRD ANGLE PROJECTION	
		4 PLACES ± --- ± ---	mm INCH	DRAWN BY JELTON	DATE 2010/05/20	TITLE VHDM 6 ROW SHIELD END BACKPLANE SALES DRAWING			
		3 PLACES ± --- ± ---		CHECKED BY SDANNELLEY	DATE 2010/05/20	MOLEX INCORPORATED			
		2 PLACES ± 0.10 ± --- 1 PLACE ± 0.25 ± ---		APPROVED BY SMILLER	DATE 2010/07/14	MATERIAL NO. SEE SHEET 2 & 3	DOCUMENT NO. SD-74059-002	SHEET NO. 1 OF 3	
DRAFT WHERE APPLICABLE MUST REMAIN WITHIN DIMENSIONS				SIZE B		THIS DRAWING CONTAINS INFORMATION THAT IS PROPRIETARY TO MOLEX INCORPORATED AND SHOULD NOT BE USED WITHOUT WRITTEN PERMISSION			



* - SEE SHEET 3 FOR 11 COLUMN P/N'S



PART NUMBER	COLUMN	NUMBER OF SIGNAL PIN	NUMBER OF SHIELD	A	B	M	Au (um) THICKNESS	Sn (um) THICKNESS
74059-*0*1	10	60	10	27.00	18.00	4.75	0.76	0.76-1.52
74059-*0*6							1.27	
74059-*5*1	25	150	25	57.00	48.00	6.25	0.76	
74059-*5*6							1.27	
74059-*0*2	10	60	10	27.00	18.00	4.25	0.76	
74059-*0*7							1.27	
74059-*5*2	25	150	25	57.00	48.00	5.15	0.76	
74059-*5*7							1.27	
74059-*0*3	10	60	10	27.00	18.00	4.25	0.76	
74059-*0*8							1.27	
74059-*5*3	25	150	25	57.00	48.00	5.15	0.76	
74059-*5*8							1.27	
74059-*0*4	10	60	10	27.00	18.00	5.15	0.76	
74059-*0*9							1.27	
74059-*5*4	25	150	25	57.00	48.00	5.15	0.76	
74059-*5*9							1.27	

SEE SHEET 1 EC NO: UCP2010-1574 DRWN: JMELTON 2010/05/20 CHKD: SDANNELLEY 2010/05/20 APPR: SHILLER 2010/07/14	QUALITY SYMBOLS	GENERAL TOLERANCES (UNLESS SPECIFIED)	DIMENSION STYLE MM ONLY	SCALE 2.5:1	DESIGN UNITS METRIC	THIRD ANGLE PROJECTION	
	$\sqrt{\text{V}}=0$ $\sqrt{\text{W}}=0$ $\sqrt{\text{X}}=0$	4 PLACES ± --- ± --- 3 PLACES ± --- ± --- 2 PLACES ± 0.10 ± --- 1 PLACE ± 0.25 ± --- ANGULAR ±1/2°	DRAWN BY JMELTON DATE 2010/05/20 CHECKED BY SDANNELLEY DATE 2010/05/20 APPROVED BY SMILLER DATE 2010/07/14	TITLE	VHM 6 ROW SHIELD END BACKPLANE SALES DRAWING		
	DRAFT WHERE APPLICABLE MUST REMAIN WITHIN DIMENSIONS		SEE TABLE	MOLEX INCORPORATED SD-74059-002		SHEET NO. 2 OF 3	
	THIS DRAWING CONTAINS INFORMATION THAT IS PROPRIETARY TO MOLEX INCORPORATED AND SHOULD NOT BE USED WITHOUT WRITTEN PERMISSION						

lb_frame_B_P_AM.T
Rev. F 2009/06/18

10 9 8 7 6 5 4 3 2 1

PART NUMBER	COLUMN	NUMBER OF SIGNAL PIN	NUMBER OF SHIELD	A	B	M	Au (um) THICKNESS	Sn (um) THICKNESS
74059-*1*1	11	66	11	29.00	20.00	4.75	0.76	0.76-1.52
74059-*1*6							1.27	
74059-*1*2	11	66	11	29.00	20.00	6.25	0.76	
74059-*1*7							1.27	
74059-*1*3	11	66	11	29.00	20.00	4.25	0.76	
74059-*1*8							1.27	
74059-*1*4	11	66	11	29.00	20.00	5.15	0.76	
74059-*1*9							1.27	

11 COLUMN P/N'S

SEE SHEET 1 EC NO: UCP2010-1574 DRAWN: JMELTON 2010/05/20 CHECKED: SDANNELLEY 2010/05/20 APPR: SMILLER 2010/07/14 N REV	QUALITY SYMBOLS	GENERAL TOLERANCES (UNLESS SPECIFIED)	DIMENSION STYLE	SCALE	DESIGN UNITS	THIRD ANGLE PROJECTION	
	$\nabla=0$ $\nabla=0$ $\nabla=0$	mm INCH 4 PLACES ± --- ± --- 3 PLACES ± --- ± --- 2 PLACES ± 0.10 ± --- 1 PLACE ± 0.25 ± --- ANGULAR ± 1/2°	MM ONLY	2.5:1	METRIC	DRAWN BY: JMELTON DATE: 2010/05/20 CHECKED BY: SDANNELLEY DATE: 2010/05/20 APPROVED BY: SMILLER DATE: 2010/07/14	TITLE: VHDM 6 ROW SHIELD END BACKPLANE SALES DRAWING MOLEX INCORPORATED DOCUMENT NO. SD-74059-002 SHEET NO. 3 OF 3
	DRAFT WHERE APPLICABLE MUST REMAIN WITHIN DIMENSIONS	SEE TABLE	THIS DRAWING CONTAINS INFORMATION THAT IS PROPRIETARY TO MOLEX INCORPORATED AND SHOULD NOT BE USED WITHOUT WRITTEN PERMISSION				

tb_frame_B_P_AM_T
Rev. F 2009/06/18

9 8 7 6 5 4 3 2 1