

NOTES:
 1.HOUSING: HIGH TEMPERATURE THERMOPLASTIC.
 GLASS FIBER FILLED,U94V-0. COLOR: BLACK
 TERMINAL: COPPER ALLOY, SELECTIVE Au PLATING
 METAL SHELL: STAINLESS STEEL
 EACH SWITCHES: COPPER ALLOY, SELECTIVE Au PLATING.
 EACH NAILS: COPPER ALLOY, SELECTIVE AU PLATING.
 COIL SPRING: STEEL WIRE,
 CAM PIN: STAINLESS STEEL
 2.TERMINAL AND NAIL COPLANARITY TO BE 0.1MAX
 3.CONTACT POSITION OF CARD SIDE

TERMINAL NO.	CONTACT POSITION
NO.1	2.4
NO.2,5,6,7,8	2.9
NO.3,4	3.4
NO.9	5.2

4.OPEN/CLOSE OF EACH SWITCH

	WRITE PROTECT SWITCH			SWITCH
	WRITE PROTECT POSITION	WRITE ENABLE POSITION		
CARD UNINSERTION	OPEN	OPEN	OPEN	
CARD HALF INSERTION	CLOSE	CLOSE	OPEN	
CARD INSERTION	OPEN	CLOSE	CLOSE	

5.WHEN DELIVERING, THE PUSH/PUSH MECHANISM IS IN THE STATE OF THE UNLOCK.(CARD DASHING OUT POSITION)
 6.CARD READ ONLY BY THE TIME THE CARD DETECTION.
 7.I/O CONTACTS, BASE ON SD I/O ASSOC. REV.G.
 8.PRODUCT SPECIFICATION: SEE TABLE
 9.TERMINAL 1 TO BE SIGNAL DETECTING WHEN SD CARD INSERTING.

PART NO.	DESCRIPTION	PRODUCT SPECIFICATION	REMARK
67955-8001	STANDARD	PS-67913-003	FOR SD ONLY
67955-8002	STANDARD W/O CARD LOCK PIN		SD/MMC

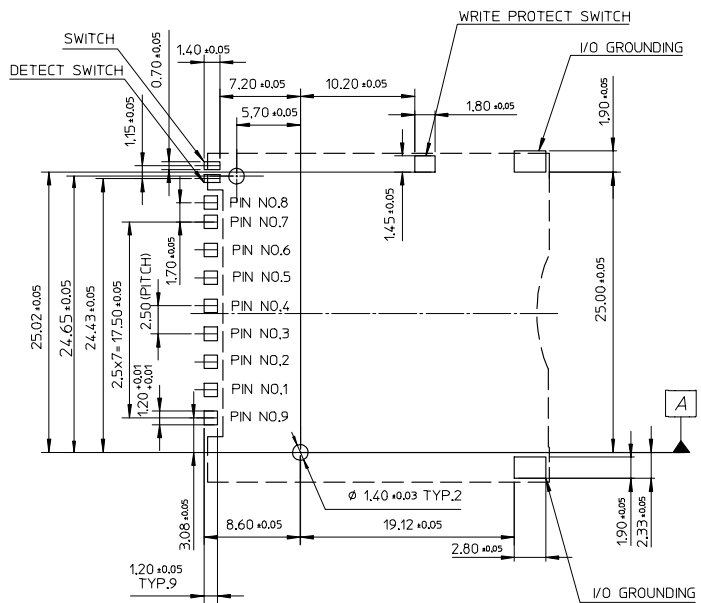
NEW RELEASE
 EC NO: DRWALZhang 2005/05/12
 CHKD: APPR:
 DESCRIPTION

QUALITY SYMBOLS	GENERAL TOLERANCES (UNLESS SPECIFIED)
▽=0	mm INCH
▽=0	4 PLACES ± --- ± ---
	3 PLACES ± --- ± ---
	2 PLACES ± 0.25 ± ---
	1 PLACE ± 0.25 ± ---
	ANGULAR ± 3 °

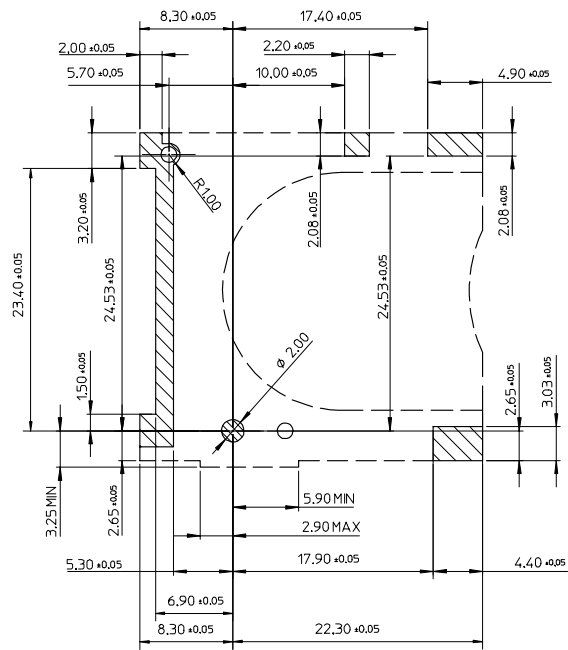
DIMENSION STYLE	SCALE	DESIGN UNITS	THIRD ANGLE PROJECTION
MM ONLY	3:1	METRIC	THIRD ANGLE PROJECTION
DRAWN BY	DATE	TITLE	
OLZHANG	2005/04/06	SD/I/O CARD CONN.STAND OFF 2.0 MM(LEAD-FREE, PUSH-PUSH & REVERSE)	
CHECKED BY	DATE		
APPROVED BY	DATE		
MATERIAL NO.	DOCUMENT NO.		
SEE TABLE	SD-67955-003		

10 9 8 7 6 5 4 3 2 1

F E D C B A



RECOMMENDED PCB PATTERN LAYOUT

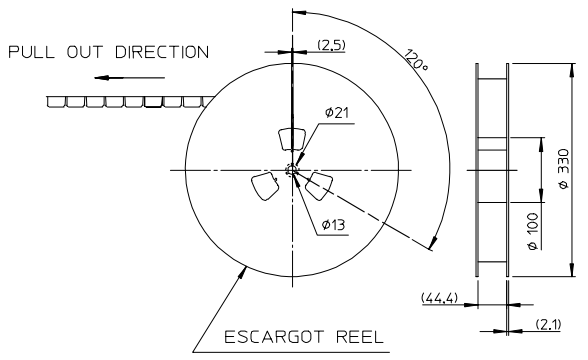


STAND OFF AREA FOR PATTERN PROHIBITION

NEW RELEASE EC NO: DRINGZLZHANG CHKD: APPR: REV: A	QUALITY SYMBOLS	GENERAL TOLERANCES (UNLESS SPECIFIED)	DIMENSION STYLE MM ONLY	SCALE 3:1	DESIGN UNITS METRIC	THIRD ANGLE PROJECTION
	▽=0	4 PLACES ± ---	mm	DRAWN BY QLZHANG	DATE 2005/04/06	TITLE SD/IO CARD CONN.STAND OFF 2.0 MM(LEAD-FREE, PUSH-PUSH & REVERSE)
	▽=0	3 PLACES ± ---	INCH	CHECKED BY	DATE	MOLEX INCORPORATED
		2 PLACES ± 0.25		APPROVED BY	DATE	MATERIAL NO. SEE SHEET 1
	1 PLACE ± 0.25	ANGULAR ± 3 °			DOCUMENT NO. SD-67955-003	SHEET NO. 2 OF 3
		DRAFT WHERE APPLICABLE MUST REMAIN WITHIN DIMENSIONS			THIS DRAWING CONTAINS INFORMATION THAT IS PROPRIETARY TO MOLEX INCORPORATED AND SHOULD NOT BE USED WITHOUT WRITTEN PERMISSION	

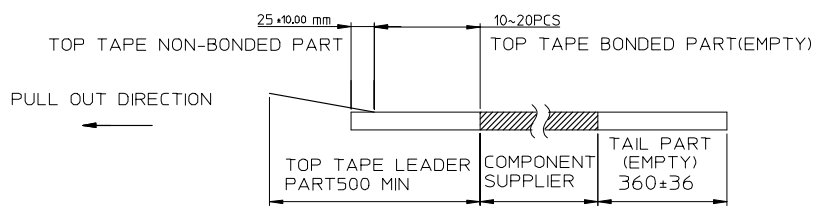
9 8 7 6 5 4 3 2 1

10 9 8 7 6 5 4 3 2 1

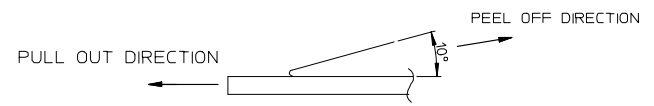


NOTES

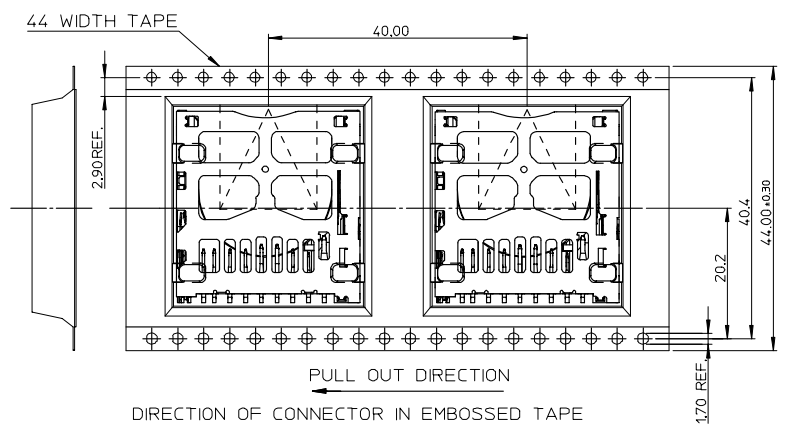
1. NUMBER OF CONNECTORS: 250 PCS/REEL
- 2.



3. PEEL OFF FORCE OF TOP TAPE: 0.1~1.3 N (10.2~130gf)
PEELING DIRECTION AS SHOWN IN FOLLOWING FIG.)
(PEEL OFF SPEED: 300mm/min.REF.)



4. PACKAGING DRAWING REFERS TO PK-67955-001.



NEW RELEASE EC NO: 2005/05/12 DRAWN BY: QLZHANG CHKD: CHYD APPR:	QUALITY SYMBOLS	GENERAL TOLERANCES (UNLESS SPECIFIED)	DIMENSION STYLE MM ONLY	SCALE 1:1	DESIGN UNITS METRIC	THIRD ANGLE PROJECTION
	▽=0	mm INCH	DRAWN BY DATE QLZHANG 2005/04/06	TITLE SD/IO CARD CONN.STAND OFF 2.0 MM(LEAD-FREE, PUSH-PUSH & REVERSE)		
	▽=0	4 PLACES ± --- ± --- 3 PLACES ± --- ± --- 2 PLACES ± 0.25 ± --- 1 PLACE ± 0.25 ± --- ANGULAR ± 3 °	CHECKED BY DATE APPROVED BY DATE	DOCUMENT NO. SD-67955-003		
	REV	DRAFT WHERE APPLICABLE MUST REMAIN WITHIN DIMENSIONS	MATERIAL NO. SEE SHEET 1	SHEET NO. 3 OF 3		

9 8 7 6 5 4 3 2 1