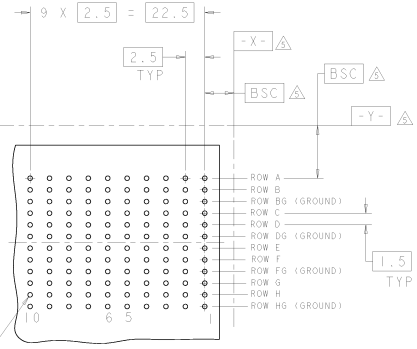
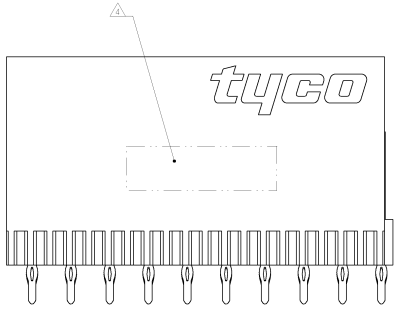
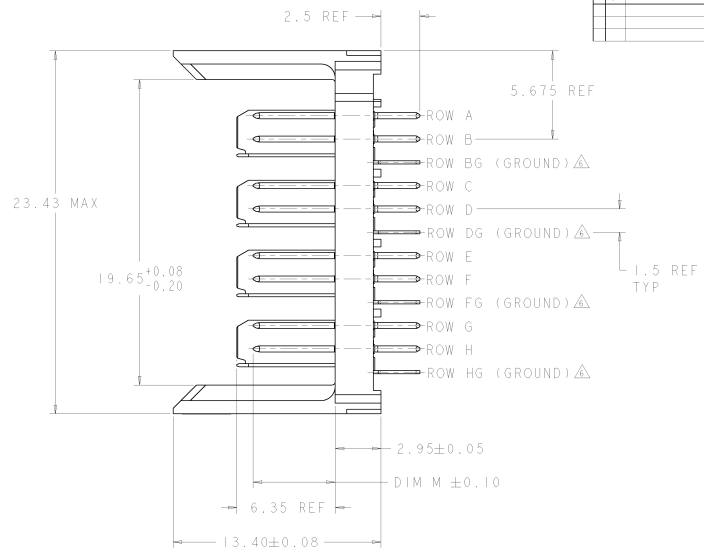
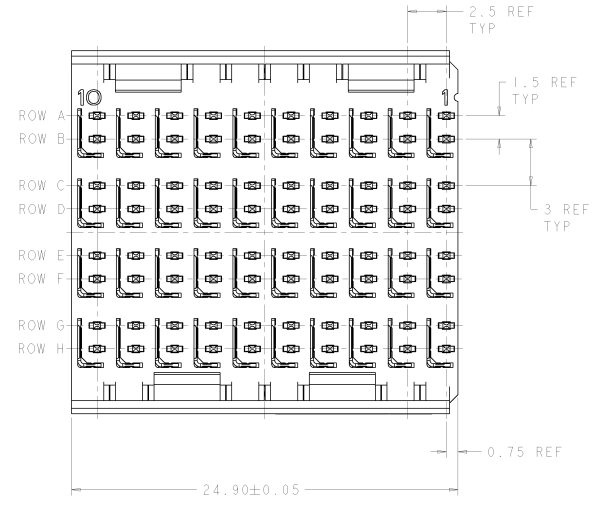


| REV | DATE | DESCRIPTION | BY | CHK | APP |
|-----|----------|---------------------------|----|-----|-----|
| 00 | 00-00-00 | RELEASED PER 6312-0324-04 | | | |



⊕ ∅0.05 X Y
ALL PLATED THRU HOLES

RECOMMENDED PC BOARD LAYOUT, BACKPLANE, COMPONENT SIDE SHOWN SCALE 4:1

- △ REFERENCE APPLICATION SPEC 114-13059 FOR RECOMMENDED PLATED THRU HOLE DIAMETER AND PLATING THICKNESSES.
- △ MATERIAL: CONTACT AND SHIELD - PHOSPHOR BRONZE HOUSING - GLASS FILLED POLYESTER
- △ FINISH: CONTACT AND SHIELD MATING AREA - 0.76µm MIN GOLD OVER 1.27µm MIN NICKEL COMPLIANT PIN AREA - 0.5µm MIN TIN OVER 1.27µm MIN NICKEL
- △ CONNECTOR MARKED WITH PART NUMBER AND DATE CODE.
- △ DATUMS AND BASIC DIMENSIONS ESTABLISHED BY CUSTOMER.
- △ THE FOUR GROUNDS IN EACH COLUMN ARE COMMONED.
- 7. CONTACT AREA LUBRICATED WITH BELLCORE APPROVED LUBRICANT. TECHNICAL REFERENCE: GR-1217-CORE, ISSUE 1, NOVEMBER 1995.

| | |
|-------------------|-----------|
| 3-80 | 6489002-2 |
| 5-30 | 6489002-1 |
| DIM M PART NUMBER | |

| | | | |
|--------------------|--|--------------------|--|
| Tyco Electronics | | Tyco Electronics | |
| 3 A DATED 00-00-00 | | 3 A DATED 00-00-00 | |
| PROJECT 000 | | PROJECT 000 | |
| REGISTRATION SPEC | | REGISTRATION SPEC | |
| MATERIAL | | MATERIAL | |
| CUSTOMER DRAWING | | CUSTOMER DRAWING | |
| PART 00778 | | PART 00778 | |
| QTY 6489002 | | QTY 6489002 | |
| REV 00 | | REV 00 | |