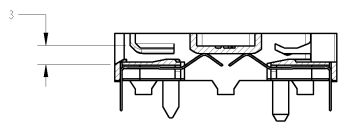
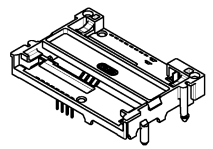


THIS DRAWING IS UNPUBLISHED. RELEASED FOR PUBLICATION  
 (C) COPYRIGHT BY TYCO ELECTRONICS CORPORATION. ALL RIGHTS RESERVED.

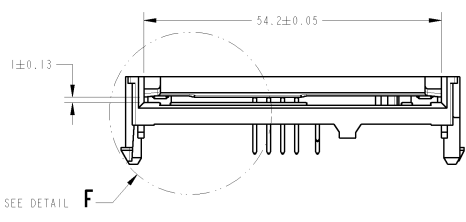
LOC	DIST	REV	DESCRIPTION	DATE	BY	APPD
H	-	1	A	EH10-0478-04	198204	PJ



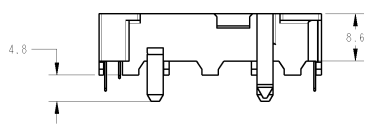
SECTION A-A



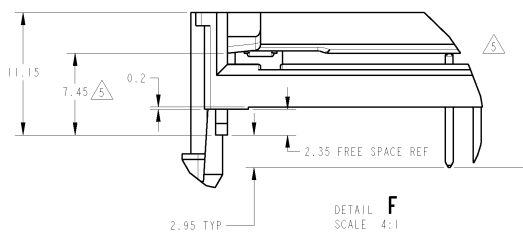
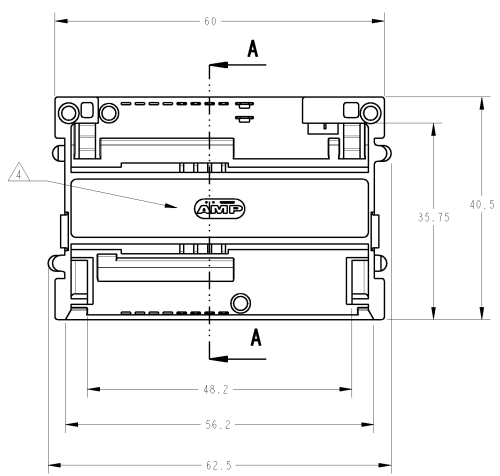
SCALE 1:1



SEE DETAIL F



- △ SMART CARD READER : PBT G-F, BLACK UL 94V0
- △ SIGNAL AND SWITCH CONTACTS : PHOSPHOR BRONZE.
- △ ALL CONTACTS : 0.0076 GOLD ON MATING AREAS, 0.0025 TIN (LEADFREE/MATTE) ON SOLDERTAILS, ALL OVER 0.001 NICKEL.
- △ AMP SMART CARD RECEPTACLE DESIGNED TO ACCEPT ISO 7810-7816 TYPE INTEGRATED CIRCUIT SMART CARDS (0.76mm REF. THICKNESS) SEE SHEET 2/2
- △ LOGO SHAPE AND POSITION VARY DEPENDING ON MOLD CAVITY NUMBER.
- △ DIMENSION APPLICABLE IN CARD CONTACT AREA ONLY. SURFACE VARY DEPENDING ON MOLD CAVITY NUMBER.



DETAIL F  
SCALE 4:1

PartNumber: 5953438-1 8 POSITIONS ISO 7816

DIMENSIONS: mm		DIMENSIONS ONLY FOR THE CONTACTS: mm		DWG NO. 18 Dec 04 DR. Coolen CH. Jansen BY: Jansen	tyco Electronics TYCO ELECTRONICS NEDERLAND B.V. HERTOFENBOSCH, THE NETHERLANDS
9 PLC ±0.5 8 PLC ±0.3 3 PLC ±0.25 2 PLC ±0.001 4 PLC ±0.0001 ANGLES: -		108-15202 APPLICATION SPEC -		PRODUCT CODE -	PCB MOUNT THROUGH HOLE, RAISED PROFILE BLADE SWITCH NORMALLY CLOSED
MATERIAL: PHOSPHOR BRONZE		WEIGHT: 9 g		SIZE: 100779 CASE CODE: C=5953438	RESTRICTED TO: -
CUSTOMER DRAWING		SCALE: 2:1		SHEET: 1 OF 2	REV: A

AMP 1471-6 REV 2004000  
 PRO-ENGINEER DRAWING

